

P300



SUCTION CUP WITH CELLULAR RUBBER PROFILE

- ▶ Suitable for irregular and rough surfaces.
- ▶ Use a ball joint if prone to bending.

LIFTING FORCES & TECHNICAL DATA

Lifting force vertical to the surface, N, at vacuum level			Lifting force parallel to the surface, N, at vacuum level			Volume cm ³	Min. curve radius mm	Max. vertical movement mm	Weight with fitting g
20 -kPa	60 -kPa	90 -kPa	20 -kPa	60 -kPa	90 -kPa				
1600	4300	6400	—	—	—	1285	—	5.0	2435

MATERIAL SPECIFICATIONS

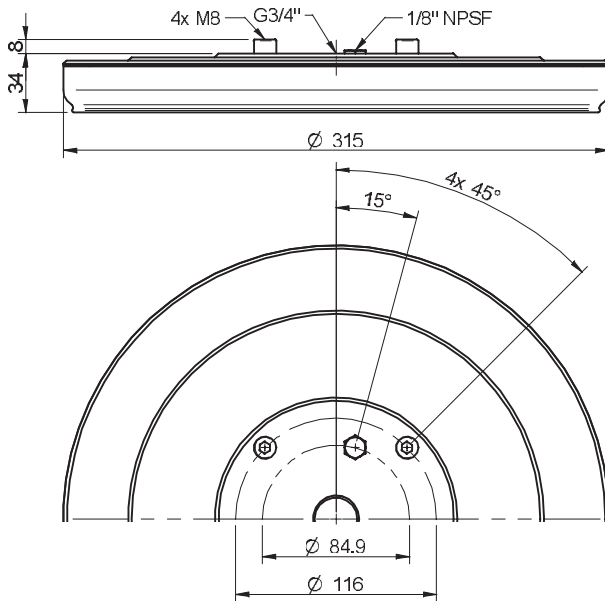
Material	Colour	Hardness °Shore A	Temperature range °C
Ethylene propylene, EPDM	Grey	—	-40-100

MATERIAL RESISTANCE

Wear resistance	Oil	Weather & Ozone	Hydrolysis	Petrol	Concentrated acids	Alcohol	Oxidation
Fair	Poor	Excellent	Good	Poor	Poor	Excellent	Excellent

ORDERING INFORMATION

Complete suction cups	Art. No.
Suction cup P300 Ethylene propylene, G3/4" female	3350049



Rubber parts	Art. No.
Suction cup P300 Ethylene propylene	3350027

Fittings & accessories	Art. No.
Fitting G3/4" female	3350060
Support kit for suction cup P300, (2 kits needed)	0106748

Suction cups
P