

P200



SUCTION CUP WITH CELLULAR RUBBER PROFILE

- ▶ Suitable for irregular and rough surfaces.
- ▶ Use a ball joint if prone to bending.

LIFTING FORCES & TECHNICAL DATA

Lifting force vertical to the surface, N, at vacuum level			Lifting force parallel to the surface, N, at vacuum level			Volume	Min. curve radius	Max. vertical movement	Weight with fitting
20 -kPa	60 -kPa	90 -kPa	20 -kPa	60 -kPa	90 -kPa	cm ³	mm	mm	g
750	1900	2700	—	—	—	543	—	5.0	1245

MATERIAL SPECIFICATIONS

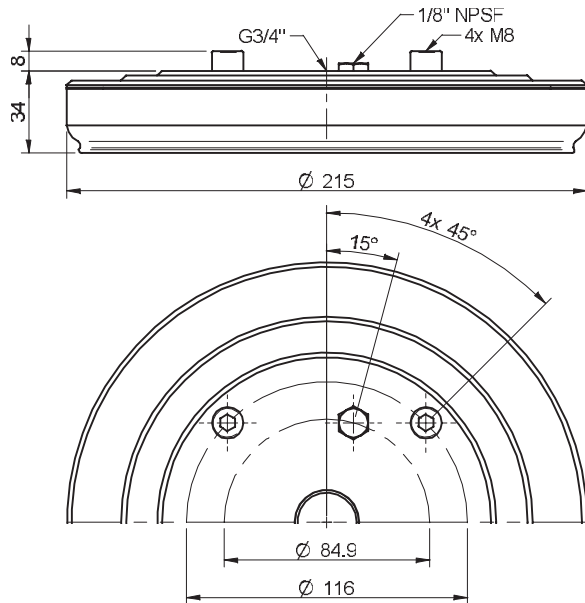
Material	Colour	Hardness °Shore A	Temperature range °C
Ethylene propylene, EPDM	Grey	—	-40–100

MATERIAL RESISTANCE

Wear resistance	Oil	Weather & Ozone	Hydrolysis	Petrol	Concentrated acids	Alcohol	Oxidation
Fair	Poor	Excellent	Good	Poor	Poor	Excellent	Excellent

ORDERING INFORMATION

Complete suction cups	Art. No.
Suction cup P200 Ethylene propylene, G3/4" female	3350048



Rubber parts	Art. No.
Suction cup P200 Ethylene propylene	3350026

Fittings & accessories	Art. No.
Fitting G3/4" female	3350059
Support kit for suction cups P200 & FP300, (2 kits needed)	0106747