

## OP20X100



### OVAL SUCTION CUP WITH CELLULAR RUBBER PROFILE

- ▶ Suitable for handling oblong objects or thin pieces with uneven and rough surfaces.
- ▶ Use a ball joint fitting if prone to bending.

### LIFTING FORCES & TECHNICAL DATA

Lifting force vertical to the surface, N, at vacuum level			Lifting force parallel to the surface, N, at vacuum level			Volume cm <sup>3</sup>	Min. curve radius mm	Max. vertical movement mm	Weight with fitting g
20 -kPa	60 -kPa	90 -kPa	20 -kPa	60 -kPa	90 -kPa				
25	80	110	—	—	—	14.0	—	1.5	87

### MATERIAL SPECIFICATIONS

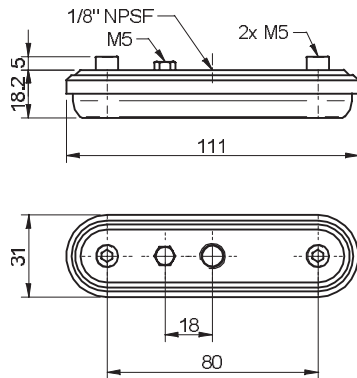
Material	Colour	Hardness °Shore A	Temperature range °C
Ethylene propylene, EPDM	Grey	—	-40–100

### MATERIAL RESISTANCE

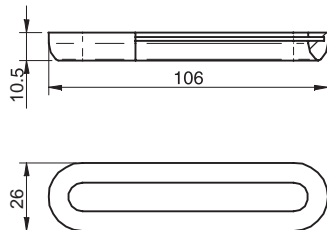
Wear resistance	Oil	Weather & Ozone	Hydrolysis	Petrol	Concentrated acids	Alcohol	Oxidation
Fair	Poor	Excellent	Good	Poor	Poor	Excellent	Excellent

## ORDERING INFORMATION

Complete suction cups	Art. No.
Suction cup OP20x100 Ethylene propylene, 1/8" NPSF female	3350050



Rubber parts	Art. No.
Suction cup OP20x100 Ethylene propylene	3350028



Fittings	Art. No.
Fitting 1/8" NPSF female	3350061

Suction cups  
OP