

OF55X150P



FLAT, OVAL SUCTION CUP WITH CLEATS

- ▶ Suitable for flat and rough surfaces.
- ▶ Fair stability and little inherent movement.
- ▶ Recommended when the lifting force is parallel to the surface of the object.
- ▶ Cleats prevent thin, sensitive objects from being deformed and give extra friction when the lifting force is parallel to the surface of the object.
- ▶ DURAFLEX® are suction cups manufactured in a specially developed material that features the elasticity of rubber and wear resistance of polyurethane. The material does not leave any marks on the objects handled.

LIFTING FORCES & TECHNICAL DATA

Material	Lifting force vertical to the surface, N, at vacuum level			Lifting force parallel to the surface, N, at vacuum level			Volume cm ³	Min. curve radius mm	Max. vertical movement mm	Weight rubber part g
	20 -kPa	60 -kPa	90 -kPa	20 -kPa	60 -kPa	90 -kPa				
PU40°	131	366	527	155	350	455	37	150	3.0	109
PU60°	134	376	558	128	338	477	37	150	3.0	109

MATERIAL SPECIFICATIONS

Material	Color	Hardness °Shore A	Temperature range °C
Polyurethane, PU40	Red transparent	40	10–50
Polyurethane, PU60	Green transparent	60	10–50

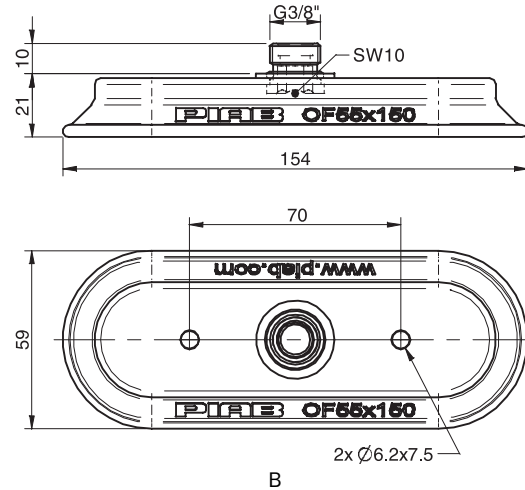
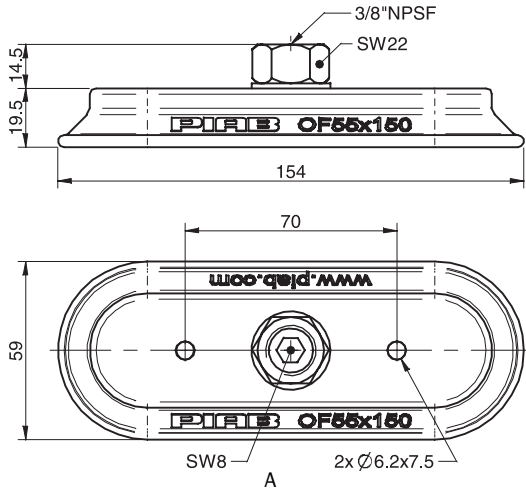
MATERIAL RESISTANCE

Wear resistance	Oil	Weather & ozone	Hydrolysis	Petrol	Concentrated acids	Ethanol	Methanol	Oxidation
Excellent	Excellent	Excellent	Fair**	Fair	Fair**	Fair	Poor	Poor

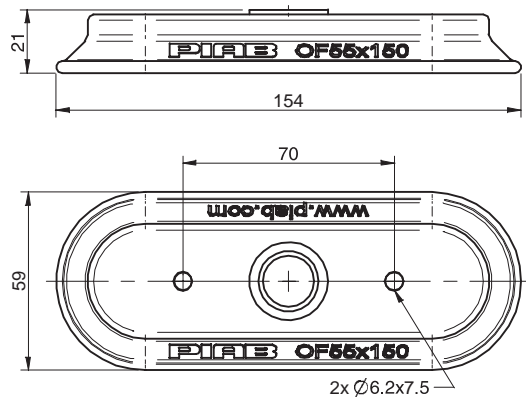
**Please contact PIAB.

ORDERING INFORMATION

Complete suction cups		Art. No.
A	Suction cup OF55x150P Polyurethane 40, 3/8" NPSF female	0109853
B	Suction cup OF55x150P Polyurethane 40, thread insert G3/8" male, with mesh filter	0109852
A	Suction cup OF55x150P Polyurethane 60, 3/8" NPSF female	0108036
B	Suction cup OF55x150P Polyurethane 60, thread insert G3/8" male, with mesh filter	0108030



Rubber parts		Art. No.
Suction cup OF55x150P Polyurethane 40		0109909
Suction cup OF55x150P Polyurethane 60		0109908



Fittings		Art. No.
Thread insert G3/8" male, with O-ring and mesh filter		0107148

Suction cups OF-P