

OF25X70P



FLAT, OVAL SUCTION CUP WITH CLEATS

- ▶ Suitable for flat and rough surfaces.
- ▶ Fair stability and little inherent movement.
- ▶ Recommended when the lifting force is parallel to the surface of the object.
- ▶ Cleats prevent thin, sensitive objects from being deformed and give extra friction when the lifting force is parallel to the surface of the object.
- ▶ DURAFLEX® are suction cups manufactured in a specially developed material that features the elasticity of rubber and wear resistance of polyurethane. The material does not leave any marks on the objects handled.

LIFTING FORCES & TECHNICAL DATA

Material	Lifting force vertical to the surface, N, at vacuum level			Lifting force parallel to the surface, N, at vacuum level			Volume cm ³	Min. curve radius mm	Max. vertical movement mm	Weight with fitting g
	20 -kPa	60 -kPa	90 -kPa	20 -kPa	60 -kPa	90 -kPa				
PU40°	24.0	66	107	46	90	105	6.0	50	1.9	19
PU60°	24.0	77	118	42	127	161	6.0	50	1.9	19

MATERIAL SPECIFICATIONS

Material	Color	Hardness °Shore A	Temperature range °C
Polyurethane, PU40	Red transparent	40	10–50
Polyurethane, PU60	Green transparent	60	10–50

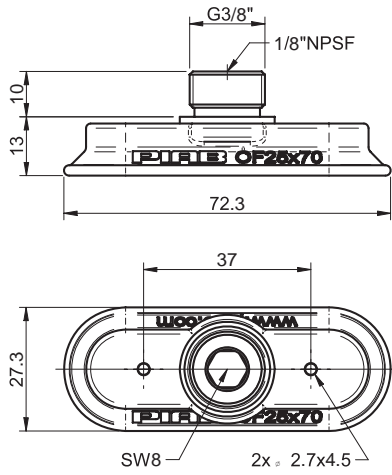
MATERIAL RESISTANCE

Wear resistance	Oil	Weather & ozone	Hydrolysis	Petrol	Concentrated acids	Ethanol	Methanol	Oxidation
Excellent	Excellent	Excellent	Fair**	Fair	Fair**	Fair	Poor	Poor

**Please contact PIAB.

ORDERING INFORMATION

Complete suction cups	Art. No.
Suction cup OF25x70P Polyurethane 60, G3/8" male - 1/8" NPSF female	0110086
Suction cup OF25x70P Polyurethane 40, G3/8" male - 1/8" NPSF female	0110087



Suction cups
OF-P