

## OC60X140



### OVAL, CONCAVE SUCTION CUP

- ▶ Suitable for handling oblong objects with flat or curved surface.
- ▶ Good stability and little inherent movement.
- ▶ Thick, durable lip.

### LIFTING FORCES & TECHNICAL DATA

Lifting force vertical to the surface, N, at vacuum level			Lifting force parallel to the surface, N, at vacuum level			Volume cm <sup>3</sup>	Min. curve radius mm	Max. vertical movement mm	Weight with fitting g
20 -kPa	60 -kPa	90 -kPa	20 -kPa	60 -kPa	90 -kPa				
132	373	520	186	373	510	52	200	7.5	160

### MATERIAL SPECIFICATIONS

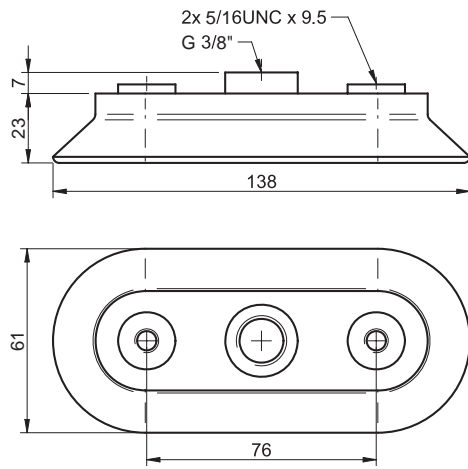
Material	Colour	Hardness °Shore A	Temperature range °C
Nitrile, NBR	Black	50	-20-100

### MATERIAL RESISTANCE

Wear resistance	Oil	Weather & Ozone	Hydrolysis	Petrol	Concentrated acids	Alcohol	Oxidation
Excellent	Excellent	Fair	Good	Good	Fair	Good	Good

## ORDERING INFORMATION

Complete suction cups	Art. No.
Suction cup OC60x140 Nitrile, G3/8" female	3350011



Suction cups  
OC