

## OC35X90P



### OVAL, CONCAVE SUCTION CUP

- ▶ Suitable for oblong objects with slightly domed or flat and oily surfaces, such as those encountered in body parts in the automotive industry.
- ▶ DURAFLEX® suction cups manufactured in a specially developed material that features the elasticity of rubber and wear resistance of polyurethane. The material does not leave any marks on the objects handled.
- ▶ Fitting option, male G3/8", with a swivel function prior to the locking operation, for easy positioning of the oval cup.

### LIFTING FORCES & TECHNICAL DATA

Material	Lifting force vertical to the surface, N, at vacuum level			Lifting force parallel to the surface, N, at vacuum level			Volume cm <sup>3</sup>	Min. curve radius mm	Max. vertical movement mm	Weight with fitting g	Weight with adj. thread insert g
	20 -kPa	60 -kPa	90 -kPa	20 -kPa	60 -kPa	90 -kPa					
PU40°	49	117	171	53	112	147	20.0	—	3.0	27	40
PU60°	49	132	171	68	161	206	20.0	—	3.0	27	40

### MATERIAL SPECIFICATIONS

Material	Colour	Hardness °Shore A	Temperature range °C
Polyurethane, PU40	Red transparent	40	10–50
Polyurethane, PU60	Green transparent	60	10–50

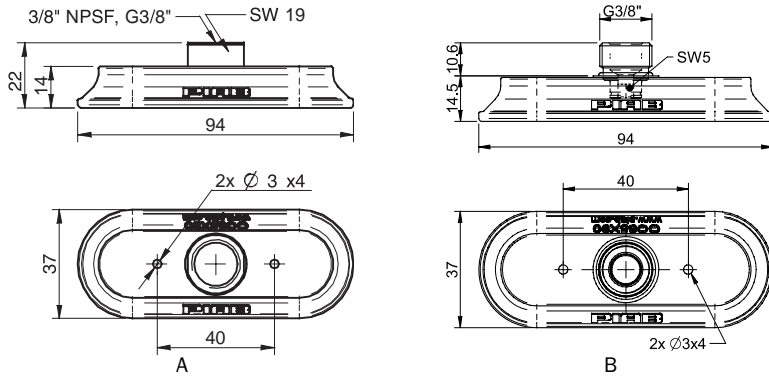
### MATERIAL RESISTANCE

Wear resistance	Oil	Weather & ozone	Hydrolysis	Petrol	Concentrated acids	Ethanol	Methanol	Oxidation
Excellent	Excellent	Excellent	Fair**	Fair	Fair**	Fair	Poor	Poor

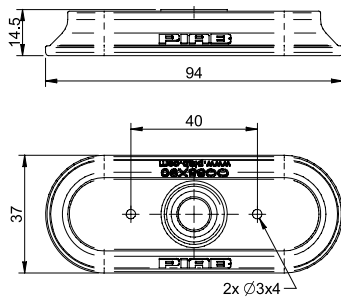
\*\*Please contact PIAB.

## ORDERING INFORMATION

Complete suction cups		Art. No.
A	Suction cup OC35x90P Polyurethane 40, G3/8" female	0102374
A	Suction cup OC35x90P Polyurethane 40, 3/8" NPSF female	0102375
A	Suction cup OC35x90P Polyurethane 60, G3/8" female	0103305
A	Suction cup OC35x90P Polyurethane 60, 3/8" NPSF female	0103303
B	Suction cup OC35x90P Polyurethane 40, adjustable thread insert G3/8" male with mesh filter	0115307
B	Suction cup OC35x90P Polyurethane 60, adjustable thread insert G3/8" male with mesh filter	0115313



Rubber parts		Art. No.
Suction cup OC35x90P Polyurethane 40		0115306
Suction cup OC35x90P Polyurethane 60		0115312



Suction cups  
OC-P