

FP300



FLAT SUCTION CUP

- Suitable for handling large, heavy objects with flat surface.

LIFTING FORCES & TECHNICAL DATA

| Lifting force vertical to the surface, N, at vacuum level | | | Lifting force parallel to the surface, N, at vacuum level | | | Volume | Min. curve radius | Max. vertical movement | Weight with fitting |
|---|---------|---------|---|---------|---------|-----------------|-------------------|------------------------|---------------------|
| 20 -kPa | 60 -kPa | 90 -kPa | 20 -kPa | 60 -kPa | 90 -kPa | cm ³ | mm | mm | g |
| 1600 | 4300 | 6400 | — | — | — | 1280 | — | 7.0 | 2460 |

MATERIAL SPECIFICATIONS

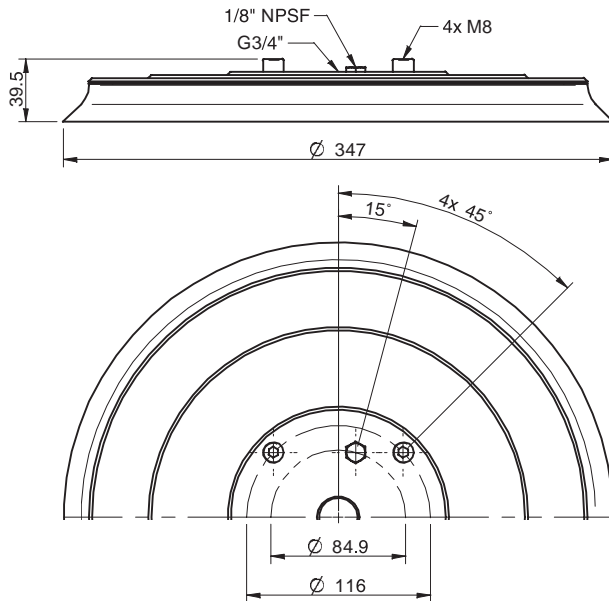
| Material | Colour | Hardness °Shore A | Temperature range °C |
|-------------------|--------------------------|-------------------|----------------------|
| Polyurethane, PUR | Yellow-white transparent | 65 | 0-80 |

MATERIAL RESISTANCE

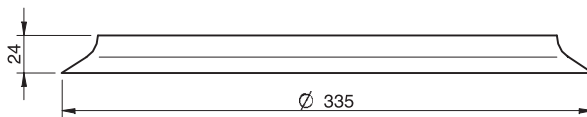
| Wear resistance | Oil | Weather & Ozone | Hydrolysis | Petrol | Concentrated acids | Alcohol | Oxidation |
|-----------------|-----------|-----------------|------------|--------|--------------------|---------|-----------|
| Excellent | Excellent | Excellent | Poor | Fair | Poor | Fair | Good |

ORDERING INFORMATION

| Complete suction cups | Art. No. |
|--|----------|
| Suction cup FP300 Polyurethane, G3/4" female | 3350073 |



| Rubber parts | Art. No. |
|--------------------------------|----------|
| Suction cup FP300 Polyurethane | 3350153 |



| Fittings & accessories | Art. No. |
|--|----------|
| Fitting G3/4" female | 3350060 |
| Support kit for suction cups P200 & FP300, (2 kits needed) | 0106747 |

Suction cups
FP