

## FP200



### FLAT SUCTION CUP

- Suitable for handling large, heavy objects with flat surface.

### LIFTING FORCES & TECHNICAL DATA

Lifting force vertical to the surface, N, at vacuum level			Lifting force parallel to the surface, N, at vacuum level			Volume	Min. curve radius	Max. vertical movement	Weight with fitting
20 -kPa	60 -kPa	90 -kPa	20 -kPa	60 -kPa	90 -kPa	cm <sup>3</sup>	mm	mm	g
750	1900	2700	—	—	—	540	—	7.0	1160

### MATERIAL SPECIFICATIONS

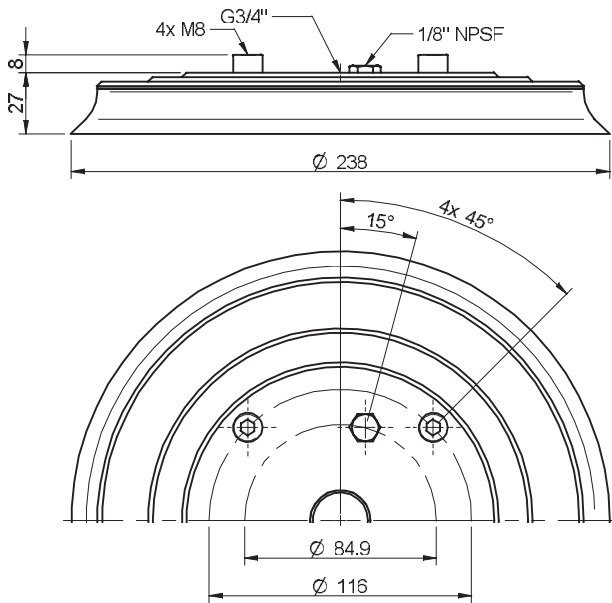
Material	Colour	Hardness °Shore A	Temperature range °C
Polyurethane, PUR	Yellow-white transparent	65	0-80

### MATERIAL RESISTANCE

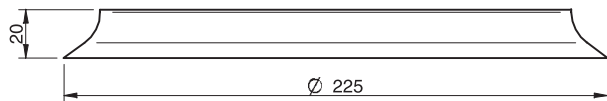
Wear resistance	Oil	Weather & Ozone	Hydrolysis	Petrol	Concentrated acids	Alcohol	Oxidation
Excellent	Excellent	Excellent	Poor	Fair	Poor	Fair	Good

## ORDERING INFORMATION

Complete suction cups	Art. No.
Suction cup FP200 Polyurethane, G3/4" female	3350072



Rubber parts	Art. No.
Suction cup FP200 Polyurethane	3350148



Fittings & accessories	Art. No.
Fitting G3/4" female	3350059
Support kit for suction cup FP200, (2kits needed)	0106746

Suction cups  
FP