

BX52P



SUCTION CUP WITH 2½ BELLOWS

- ▶ Suitable for level adjustment and for uneven and porous surfaces such as cardboard, etc.
- ▶ In the two-coloured suction cup the bellows and the sealing lip are of different hardnesses, which makes the suction cup strong and stable and, at the same time, soft and flexible.
- ▶ DURAFLEX® suction cups manufactured in a specially developed material that features the elasticity of rubber and wear resistance of polyurethane.
- ▶ The material DURAFLEX® is mark free.

LIFTING FORCES & TECHNICAL DATA

Material	Lifting force vertical to the surface, N, at vacuum level			Lifting force parallel to the surface, N, at vacuum level			Volume cm ³	Min. curve radius mm	Max. vertical movement mm	Weight rubber part g
	20 -kPa	60 -kPa	90 -kPa	20 -kPa	60 -kPa	90 -kPa				
PU30°/60°	32	56	75	28*	44*	54*	30	32	19.0	24
PU60°	37	59	80	27*	49*	56*	30	32	19.0	24

*The suction cup is not intended for handling shear lifts. The values are given as a dimensioning guide to be used when, e.g., the acceleration/retardation causes shear forces.

MATERIAL SPECIFICATIONS

Material	Colour	Hardness °Shore A	Temperature range °C
Polyurethane, PU30	Yellow transparent	30	10–50
Polyurethane, PU60	Green transparent	60	10–50

MATERIAL RESISTANCE

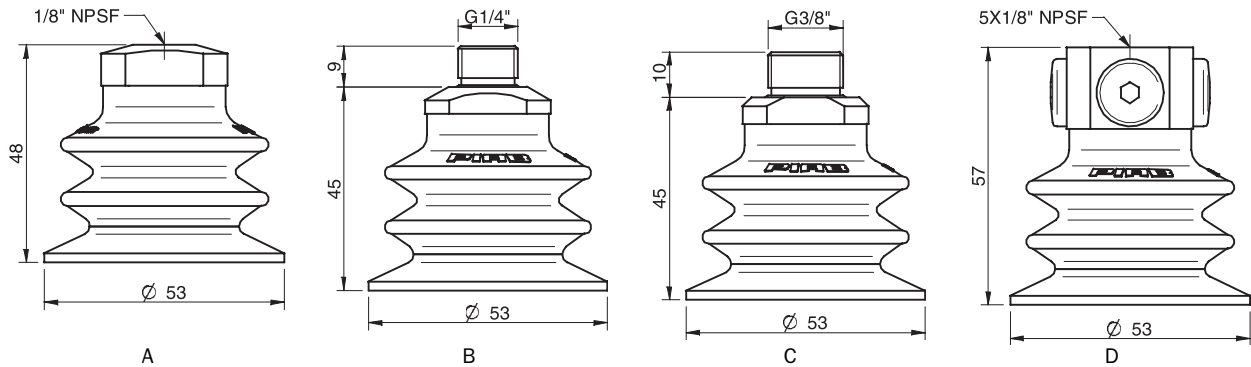
Wear resistance	Oil	Weather & ozone	Hydrolysis	Petrol	Concentrated acids	Ethanol	Methanol	Oxidation
Excellent	Excellent	Excellent	Fair**	Fair	Fair**	Fair	Poor	Poor

**Please contact PIAB.

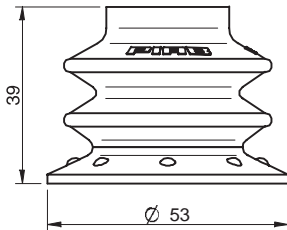
ORDERING INFORMATION

	Complete suction cups	Art. No.
A	Suction cup BX52P Polyurethane 30/60 with filter, 1/8" NPSF female	0104727
A	Suction cup BX52P Polyurethane 30/60 with filter, 1/8" NPSF female, with mesh filter	0106044
A	Suction cup BX52P Polyurethane 30/60 with filter, 1/8" NPSF female, with dual flow control valve	0106019
B	Suction cup BX52P Polyurethane 30/60 with filter, G1/4" male, with mesh filter	0106045
B	Suction cup BX52P Polyurethane 30/60 with filter, G1/4" male, with dual flow control valve	0106739
C	Suction cup BX52P Polyurethane 30/60 with filter, G3/8" male, with mesh filter	0106740
C	Suction cup BX52P Polyurethane 30/60 with filter, G3/8" male, with dual flow control valve	0106741
D	Suction cup BX52P Polyurethane 30/60 with filter, 5x1/8" NPSF female	0106046
D	Suction cup BX52P Polyurethane 30/60 with filter, 5x1/8" NPSF female, with dual flow control valve	0106742
A	Suction cup BX52P Polyurethane 60 with filter, 1/8" NPSF female	0107383
A	Suction cup BX52P Polyurethane 60 with filter, 1/8" NPSF female, with mesh filter	0107382
A	Suction cup BX52P Polyurethane 60 with filter, 1/8" NPSF female, with dual flow control valve	0107384
B	Suction cup BX52P Polyurethane 60 with filter, G1/4" male, with mesh filter	0107385
B	Suction cup BX52P Polyurethane 60 with filter, G1/4" male, with dual flow control valve	0107386
C	Suction cup BX52P Polyurethane 60 with filter, G3/8" male, with mesh filter	0107387
C	Suction cup BX52P Polyurethane 60 with filter, G3/8" male, with dual flow control valve	0107388
D	Suction cup BX52P Polyurethane 60 with filter, 5x1/8" NPSF female	0107389
D	Suction cup BX52P Polyurethane 60 with filter, 5x1/8" NPSF female, with dual flow control valve	0107390

SUCTION CUPS BX-P



Rubber parts	Art. No.
Suction cup BX52P Polyurethane 30/60, with filter	0104729
Suction cup BX52P Polyurethane 60, with filter	0108039
Suction cup BX52P Polyurethane 30/60	0104529
Suction cup BX52P Polyurethane 60	0107381



Fittings	Art. No
Fitting 1/8" NPSF female, 50	3250017
Fitting 1/8" NPSF female, 50, with mesh filter	0101154
Fitting 1/8" NPSF female, 50, with dual flow control valve	3251012
Fitting G1/4" male, 50, with mesh filter	3250092
Fitting G1/4" male, with mesh filter and dual flow control valve	3251013
Fitting G3/8" male, 50, with mesh filter	3250087
Fitting G3/8" male, 50, with mesh filter and dual flow control valve	3251015
Fitting 5x1/8" NPSF female, 50	0100262
Fitting 5x1/8" NPSF female, 50, with dual flow control valve	3251017

For further information and dimensioned drawings, see SUCTION CUPS FITTINGS chapter.

Spare Part	Material	Temperature range °C	Art. No.
Filter for BX52P	Polyester/TPE	-40-90	0104726