

BX110P



SUCTION CUP WITH 2½ BELLOWS

- ▶ Suitable for level adjustment and for uneven and porous surfaces such as cardboard, etc.
- ▶ In the two-coloured suction cup the bellows and the sealing lip are of different hardnesses, which makes the suction cup strong and stable and, at the same time, soft and flexible.
- ▶ DURAFLEX® suction cups manufactured in a specially developed material that features the elasticity of rubber and wear resistance of polyurethane.
- ▶ The material DURAFLEX® is mark free.

LIFTING FORCES & TECHNICAL DATA

Material	Lifting force vertical to the surface, N, at vacuum level			Lifting force parallel to the surface, N, at vacuum level			Volume cm ³	Min. curve radius mm	Max. vertical movement mm	Weight rubber part g
	20 -kPa	60 -kPa	90 -kPa	20 -kPa	60 -kPa	90 -kPa				
PU30°/60°	158	306	346	83*	258*	260*	230	55	39	237
PU60°	181	426	424	158*	244*	293*	230	55	39	237

*The suction cup is not intended for handling shear lifts. The values are given as a dimensioning guide to be used when, e.g., the acceleration/retardation causes shear forces.

MATERIAL SPECIFICATIONS

Material	Colour	Hardness °Shore A	Temperature range °C
Polyurethane, PU30	Yellow transparent	30	10-50
Polyurethane, PU60	Green transparent	60	10-50

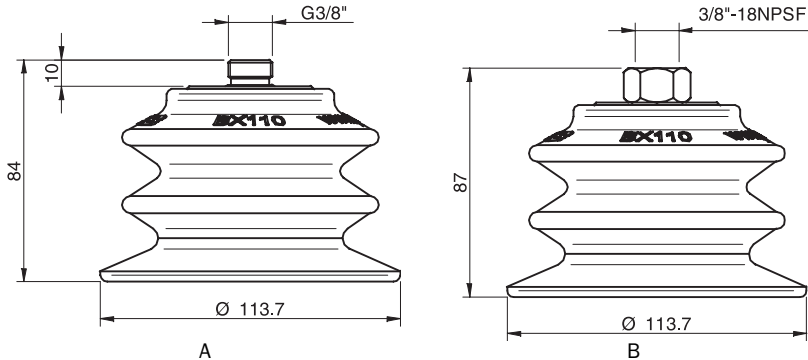
MATERIAL RESISTANCE

Wear resistance	Oil	Weather & ozone	Hydrolysis	Petrol	Concentrated acids	Ethanol	Methanol	Oxidation
Excellent	Excellent	Excellent	Fair**	Fair	Fair**	Fair	Poor	Poor

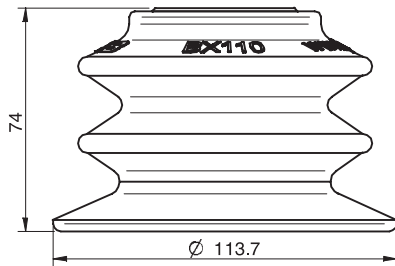
**Please contact PIAB.

ORDERING INFORMATION

Complete suction cups		Art. No.
A	Suction cup BX110P Polyurethane 30/60 with filter, thread insert G3/8" male	0108273
B	Suction cup BX110P Polyurethane 30/60 with filter, 3/8" NPSF female	0108403
A	Suction cup BX110P Polyurethane 60 with filter, thread insert G3/8" male	0108341
B	Suction cup BX110P Polyurethane 60 with filter, 3/8" NPSF female	0108404



Rubber parts		Art. No.
	Suction cup BX110P Polyurethane 30/60	0107093
	Suction cup BX110P Polyurethane 30/60, with filter	0108164
	Suction cup BX110P Polyurethane 60	0108339
	Suction cup BX110P Polyurethane 60, with filter	0108340



Fittings		Art. No.
	Thread insert G3/8" male, with O-ring	0106797

For further information and dimensioned drawings, see *SUCTION CUPS FITTINGS* chapter.

Spare Part	Material	Temperature range °C	Art. No.
Filter for BX110P	Polyester/TPE	-40-90	0108163

Suction cups
BX-P