

## BL40-4



### SUCTION CUP WITH LONG BELLOWS AND LONG LIP

- ▶ Long and flexible bellow
- ▶ Long and thin lip
- ▶ High flow fitting
- ▶ Working area = lip diameter
- ▶ Wide temperature range (-60°C to +200°C)
- ▶ The silicone material complies with FDA 21 CFR 177.2600

### LIFTING FORCES & TECHNICAL DATA

Lifting force vertical to the surface, N, at vacuum level			Lifting force parallel to the surface, N, at vacuum level			Volume	Min. curve radius	Max. vertical movement	Weight rubber part
20 -kPa	60 -kPa	90 -kPa	20 -kPa	60 -kPa	90 -kPa	cm <sup>3</sup>	mm	mm	g
10	15	22	9*	16*	26*	15	15	18	8

\*The suction cup is not intended for handling shear lifts. The values are given as a dimensioning guide to be used when, e.g., the acceleration/retardation causes shear forces.

### MATERIAL SPECIFICATIONS

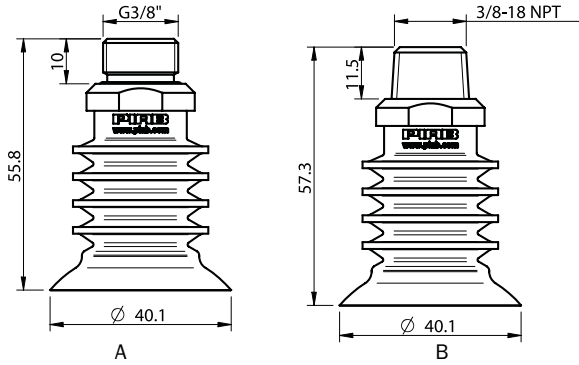
Material	Colour	Hardness °Shore A	Temperature range °C
Silicone, SIL	Red	40	-60-200

### MATERIAL RESISTANCE

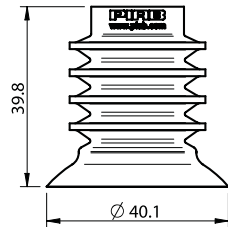
Material	Wear resistance	Oil	Weather & Ozone	Hydrolysis	Petrol	Concentrated acids	Alcohol	Oxidation
Silicone, SIL	Good	Poor	Excellent	Fair	Poor	Poor	Good	Excellent

## ORDERING INFORMATION

Complete suction cup		Art. No.
A	Suction cup BL40-4 Silicone, G3/8" male	0116993
B	Suction cup BL40-4 Silicone, 3/8" NPT male	0116996



Rubber part		Art. No.
Suction cup BL40-4 Silicone		0114848



Fittings		Art. No.
Fitting G3/8" male, bag		0112662
Fitting 3/8" NPT male, bag		0112692

For further information and dimensioned drawings, see *SUCTION CUPS FITTINGS* chapter.

Spare Part	Material	Temperature range °C	Art. No.
Reinforcement ring for BL30-2 & BL40-4, 4x	Polyamide, PA	-40-110	3150072

Suction cups  
BL