

BL30-4



SUCTION CUP WITH LONG BELLOWS AND LONG LIP

- ▶ Long and flexible bellow
- ▶ Long and thin lip
- ▶ High flow fitting
- ▶ Working area = lip diameter
- ▶ Wide temperature range (-60°C to +200°C)
- ▶ The silicone material complies with FDA 21 CFR 177.2600

LIFTING FORCES & TECHNICAL DATA

Lifting force vertical to the surface, N, at vacuum level			Lifting force parallel to the surface, N, at vacuum level			Volume cm ³	Min. curve radius mm	Max. vertical movement mm	Weight rubber part g
20 -kPa	60 -kPa	90 -kPa	20 -kPa	60 -kPa	90 -kPa				
8.0	—	—	—	—	—	4.1	20	19	5

The suction cup is not intended for deeper vacuum levels than 20 -kPa.

MATERIAL SPECIFICATIONS

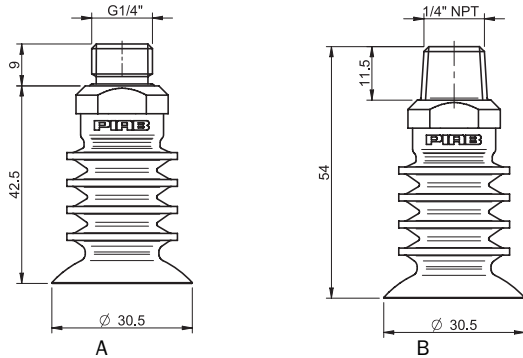
Material	Colour	Hardness °Shore A	Temperature range °C
Silicone, SIL	Red	40	-60-200

MATERIAL RESISTANCE

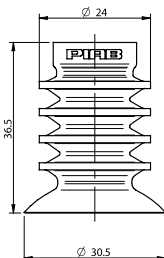
Material	Wear resistance	Oil	Weather & Ozone	Hydrolysis	Petrol	Concentrated acids	Alcohol	Oxidation
Silicone, SIL	Good	Poor	Excellent	Fair	Poor	Poor	Good	Excellent

ORDERING INFORMATION

Complete suction cups		Art. No.
A	Suction cup BL30-4 Silicone, G1/4" male	0118369
B	Suction cup BL30-4 Silicone, 1/4" NPT male	0118371



Rubber parts		Art. No.
Suction cup BL30-4 Silicone		0116971



Fittings		Art. No.
Fitting G1/4" male, bag		0118793
Fitting 1/4" NPT male, bag		0118794

Spare Part	Material	Temperature range °C	Art. No.
Reinforcement ring for BL20-2, 4x	Polyamide, PA	-40-110	3150071

Suction cups
BL