

BL20-2



SUCTION CUP WITH LONG BELLOWS

- ▶ Suitable for level adjustment.
- ▶ Lifting movement to separate small and thin objects.
- ▶ Less suitable when the lifting force is parallel to the surface of the object.

LIFTING FORCES & TECHNICAL DATA

Lifting force vertical to the surface, N, at vacuum level			Lifting force parallel to the surface, N, at vacuum level			Volume cm ³	Min. curve radius mm	Max. vertical movement mm	Weight rubber part g
20 -kPa	60 -kPa	90 -kPa	20 -kPa	60 -kPa	90 -kPa				
0.32/3.2*	0.62/6.2*	—	—	—	—	4.0	4.0	13	3

*Lifting force with reinforcement rings.

MATERIAL SPECIFICATIONS

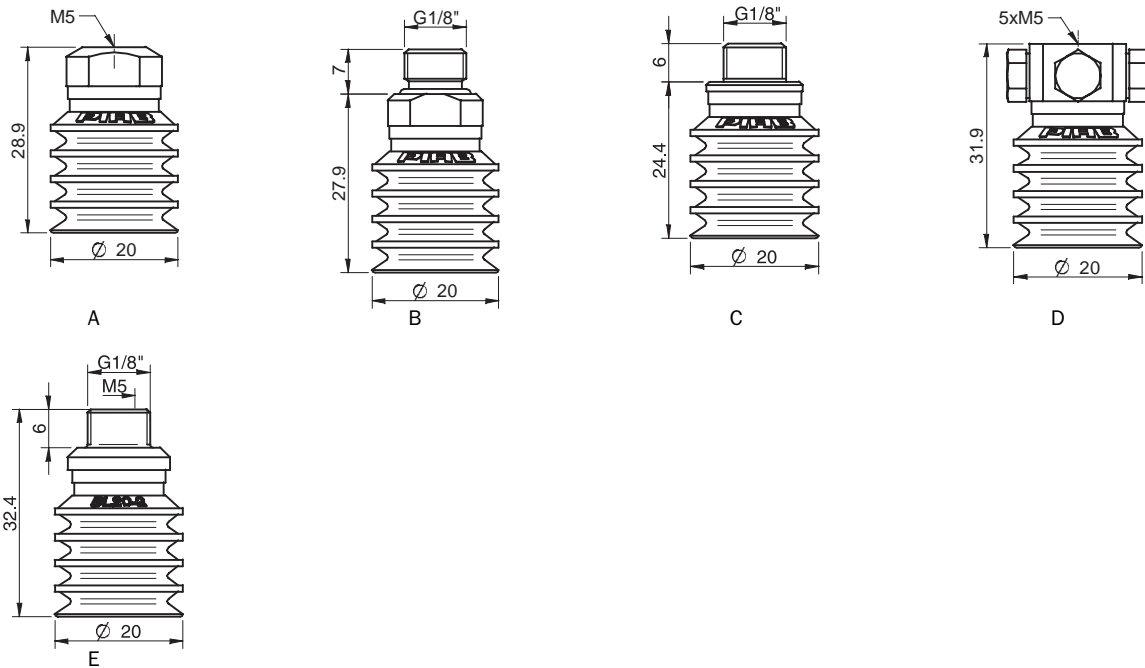
Material	Colour	Hardness °Shore A	Temperature range °C
Chloroprene, CR	Black	60	-40–110
Silicone, SIL	Red	50	-40–200

MATERIAL RESISTANCE

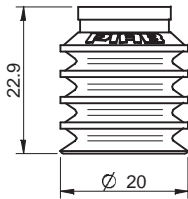
Material	Wear resistance	Oil	Weather & ozone	Hydrolysis	Petrol	Concentrated acids	Alcohol	Oxidation
Chloroprene, CR	Excellent	Fair	Good	Good	Fair	Poor	Good	Good
Silicone, SIL	Good	Poor	Excellent	Fair	Poor	Poor	Good	Excellent

ORDERING INFORMATION

	Complete suction cups	Art. No.
A	Suction cup BL20-2 Chloroprene, M5 female	0101193
A	Suction cup BL20-2 Chloroprene, M5 female, with dual flow control valve	0101199
B	Suction cup BL20-2 Chloroprene, G1/8" male, with mesh filter	0101194
B	Suction cup BL20-2 Chloroprene, G1/8" male, with mesh filter and dual flow control valve	0101200
C	Suction cup BL20-2 Chloroprene, G1/8" male/M5 female, with mesh filter	0101198
C	Suction cup BL20-2 Chloroprene, G1/8" male/M5 female, with dual flow control valve	0101202
D	Suction cup BL20-2 Chloroprene, 5xM5 female	0101197
D	Suction cup BL20-2 Chloroprene, 5xM5 female, with dual flow control valve	0101203
A	Suction cup BL20-2 Silicone, M5 female	0101204
A	Suction cup BL20-2 Silicone, M5 female, with dual flow control valve	0101210
B	Suction cup BL20-2 Silicone, G1/8" male, with mesh filter	0101205
B	Suction cup BL20-2 Silicone, G1/8" male, with mesh filter and dual flow control valve	0101211
C	Suction cup BL20-2 Silicone, G1/8" male/M5 female, with mesh filter	0101209
C	Suction cup BL20-2 Silicone, G1/8" male/M5 female, with dual flow control valve	0101213
D	Suction cup BL20-2 Silicone, 5xM5 female	0101208
D	Suction cup BL20-2 Silicone, 5xM5 female, with dual flow control valve	0101214
E	Suction cup BL20-2 Chloroprene, G1/8" male/M5 female, PA	0109844
E	Suction cup BL20-2 Silicone, G1/8" male/M5 female, PA	0110339



Rubber parts	Art. No.
Suction cup BL20-2 Chloroprene	0101115
Suction cup BL20-2 Silicone	0101116



Fittings	Art. No.
Fitting M5 female	3250003
Fitting M5 female, with dual flow control valve	3251001
Fitting G1/8" male, with mesh filter	3250085
Fitting G1/8" male, with mesh filter and dual flow control valve	3251002
Fitting G1/8" male/M5 female, with mesh filter	0101152
Fitting G1/8" male/M5 female, with dual flow control valve	3251004
Fitting 5xM5 female	0100260
Fitting 5xM5 female, with dual flow control valve	3251005
Fitting G1/8" male/M5 female, PA	3150196

For further information and dimensioned drawings, see *SUCTION CUPS FITTINGS* chapter.

Spare Part	Material	Temperature range °C	Art. No.
Reinforcement ring for BL20-2, 4x	Polyamide, PA	-40–110	3150071