

## B75P



### SUCTION CUP WITH SHORT BELLOWS

- ▶ Suitable for level adjustment and for uneven and porous surfaces such as cardboard, etc.
- ▶ In the two-coloured suction cup the bellows and the sealing lip are of different hardnesses, which makes the suction cup strong and stable and, at the same time, soft and flexible.
- ▶ DURAFLEX® suction cups manufactured in a specially developed material that features the elasticity of rubber and wear resistance of polyurethane.
- ▶ The material of the DURAFLEX® is mark free.

### LIFTING FORCES & TECHNICAL DATA

Material	Lifting force vertical to the surface, N, at vacuum level			Lifting force parallel to the surface, N, at vacuum level			Volume cm <sup>3</sup>	Min. curve radius mm	Max. vertical movement mm	Weight rubber part g
	20 -kPa	60 -kPa	90 -kPa	20 -kPa	60 -kPa	90 -kPa				
PU30°/60°	61	149	202	44	96	114	110	90	20	48
PU60°	83	196	255	121	229	298	110	90	20	72

### MATERIAL SPECIFICATIONS

Material	Colour	Hardness °Shore A	Temperature range °C
Polyurethane, PU30	Yellow transparent	30	10-50
Polyurethane, PU60	Green transparent	60	10-50

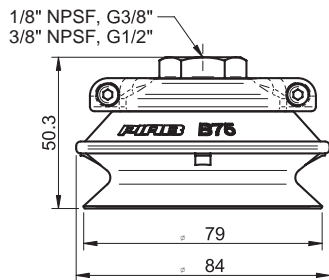
### MATERIAL RESISTANCE

Wear resistance	Oil	Weather & ozone	Hydrolysis	Petrol	Concentrated acids	Ethanol	Methanol	Oxidation
Excellent	Excellent	Excellent	Fair**	Fair	Fair**	Fair	Poor	Poor

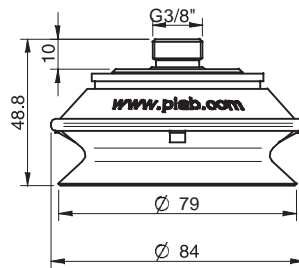
\*\*Please contact PIAB.

## ORDERING INFORMATION

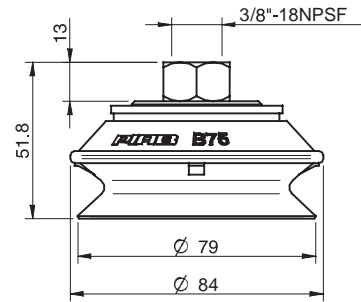
Complete suction cups		Art. No
A	Suction cup B75P Polyurethane 30/60, 1/8" NPSF female, with mesh filter	0106345
A	Suction cup B75P Polyurethane 30/60, G3/8" female, with mesh filter	0106346
A	Suction cup B75P Polyurethane 30/60, 3/8" NPSF female, with mesh filter	0106347
A	Suction cup B75P Polyurethane 30/60, G1/2" female, with mesh filter	0106348
A	Suction cup B75P Polyurethane 60, 1/8" NPSF female, with mesh filter	0111600
A	Suction cup B75P Polyurethane 60, G3/8" female, with mesh filter	0111601
A	Suction cup B75P Polyurethane 60, 3/8" NPSF female, with mesh filter	0111602
A	Suction cup B75P Polyurethane 60, G1/2" female, with mesh filter	0111603
B	Suction cup B75P Polyurethane 30/60, thread insert G3/8" male, with mesh filter	0106833
B	Suction cup B75P Polyurethane 60, thread insert G3/8" male with mesh filter	0107319
C	Suction cup B75P Polyurethane 30/60, 3/8" NPSF female	0108790
C	Suction cup B75P Polyurethane 60, 3/8" NPSF female	0108791



A

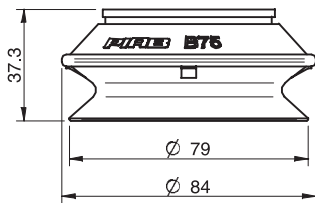


B

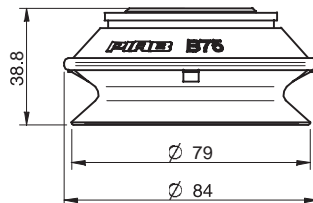


C

Rubber parts		Art. No
A	Suction cup B75P Polyurethane 30/60	0104723
A	Suction cup B75P Polyurethane 60	0111594
B	Suction cup B75P Polyurethane 30/60, for thread insert	0106832
B	Suction cup B75P Polyurethane 60, for thread insert	0107318



A



B

Fittings		Art. No.
Fitting 75, 1/8" NPSF female, with mesh filter		0100548
Fitting 75, G3/8" female, with mesh filter		0100551
Fitting 75, 3/8" NPSF female, with mesh filter		0100553
Fitting 75, G1/2" female, with mesh filter		0100555
Thread insert G3/8" male, with O-ring and mesh filter		0107148

For further information and dimensioned drawings, see SUCTION CUPS FITTINGS chapter.