

B50MF



SUCTION CUP WITH SHORT BELLOWS, MARK FREE

- ▶ Suction cup of TPU, a mark free material that leaves no trace on the object being handled.
- ▶ Suitable for level adjustment.
- ▶ Lifting movement to separate small and thin objects.
- ▶ Only lightweight objects should be handled when the lifting force is parallel to the surface.

LIFTING FORCES & TECHNICAL DATA

Lifting force vertical to the surface, N, at vacuum level			Lifting force parallel to the surface, N, at vacuum level			Volume	Min. curve radius	Max. vertical movement	Weight rubber part
20 -kPa	60 -kPa	90 -kPa	20 -kPa	60 -kPa	90 -kPa	cm ³	mm	mm	g
30	93	136	23	63	97	32	26	13	19

MATERIAL SPECIFICATIONS

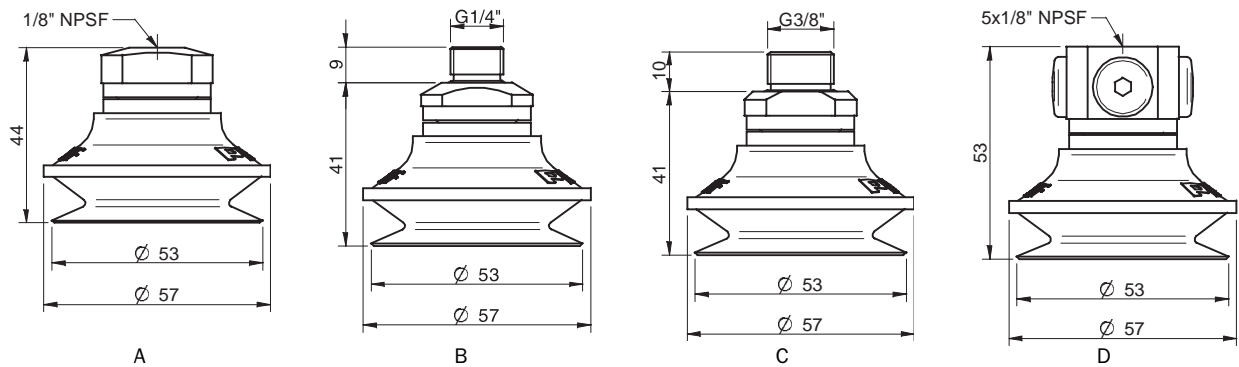
Material	Colour	Hardness °Shore A	Temperature range °C
Thermoelastic polyurethane, TPU	Transparent white	81	-20-80

MATERIAL RESISTANCE

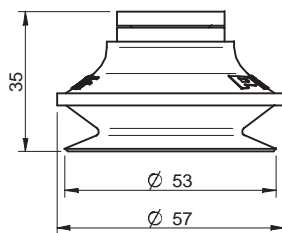
Wear resistance	Oil	Weather & Ozone	Hydrolysis	Petrol	Concentrated acids	Alcohol	Oxidation
Excellent	Excellent	Excellent	Poor	Poor	Poor	Good	Good

ORDERING INFORMATION

Complete suction cups		Art. No.
A	Suction cup B50MF Thermoelastic polyurethane, 1/8" NPSF female, with mesh filter	0101688
A	Suction cup B50MF Thermoelastic polyurethane, 1/8" NPSF female, with dual flow control valve	0101689
B	Suction cup B50MF Thermoelastic polyurethane, G1/4" male, with mesh filter	0101683
B	Suction cup B50MF Thermoelastic polyurethane, G1/4" male, with dual flow control valve and mesh filter	0101690
C	Suction cup B50MF Thermoelastic polyurethane, G3/8" male, with mesh filter	0101685
C	Suction cup B50MF Thermoelastic polyurethane, G3/8" male, with dual flow control valve and mesh filter	0101692
D	Suction cup B50MF Thermoelastic polyurethane, 5x1/8" NPSF female	0101687
D	Suction cup B50MF Thermoelastic polyurethane, 5x1/8" NPSF female, with dual flow control valve	0101694



Rubber parts		Art. No.
Suction cup B50MF Thermoelastic polyurethane		0101114



Fittings		Art. No.
Fitting 1/8" NPSF female, 50, with mesh filter		0101154
Fitting 1/8" NPSF female, 50, with dual flow control valve		3251012
Fitting G1/4" male, 50, with mesh filter		3250092
Fitting G1/4" male, with mesh filter and dual flow control valve		3251013
Fitting G3/8" male, 50, with mesh filter		3250087
Fitting G3/8" male, 50, with mesh filter and dual flow control valve		3251015
Fitting 5x1/8" NPSF female, 50		0100262
Fitting 5x1/8" NPSF female, 50, with dual flow control valve		3251017

For further information and dimensioned drawings, see *SUCTION CUPS FITTINGS* chapter.