

B5



SUCTION CUP WITH SHORT BELLOWS

- ▶ Lifting movement to separate small and thin objects.
- ▶ Only lightweight objects should be handled when the lifting force is parallel to the surface.
- ▶ Suitable for level adjustment.
- ▶ Suction cups of conductive silicone are suitable for objects with sensitivity to static electricity.

LIFTING FORCES & TECHNICAL DATA

Lifting force vertical to the surface, N, at vacuum level			Lifting force parallel to the surface, N, at vacuum level			Volume cm ³	Min. curve radius mm	Max. vertical movement mm	Weight rubber part g
20 -kPa	60 -kPa	90 -kPa	20 -kPa	60 -kPa	90 -kPa				
0.30	0.80	1.0	—	—	—	0.05	1.5	1.5	0.11

MATERIAL SPECIFICATIONS

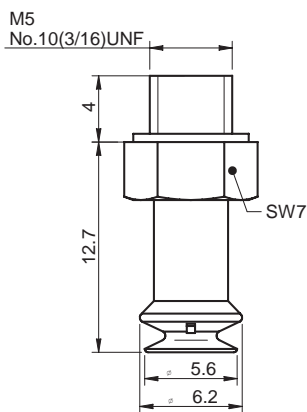
Material	Colour	Hardness °Shore A	Temperature range °C
Chloroprene, CR	Black	50	-40–110
Silicone, SIL	Red	50	-40–200
Conductive silicone, CSIL	Black	50	-55–230

MATERIAL RESISTANCE

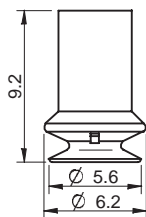
Material	Wear resistance	Oil	Weather & ozone	Hydrolysis	Petrol	Concentrated acids	Alcohol	Oxidation
Chloroprene, CR	Excellent	Fair	Good	Good	Fair	Poor	Good	Good
Silicone, SIL	Good	Poor	Excellent	Fair	Poor	Poor	Good	Excellent
Conductive silicone, CSIL	Good	Poor	Excellent	Fair	Poor	Poor	Good	Excellent

ORDERING INFORMATION

Complete suction cups	Art. No.
Suction cup B5 Chloroprene, M5 male	3250082
Suction cup B5 Silicone, M5 male	3250082S
Suction cup B5 Conductive silicone, M5 male	3250082SC



Rubber parts	Art. No.
Suction cup B5 Chloroprene	3150286
Suction cup B5 Silicone	3150286S
Suction cup B5 Conductive silicone	3150286SC



Fittings	Art. No.
Fitting M5 male, 5-8	3107031

For further information and dimensioned drawings, see *SUCTION CUPS FITTINGS* chapter.