

B20



SUCTION CUP WITH SHORT BELLOWS

- ▶ Suitable for level adjustment. Several short bellows in one lifting device can handle objects with height differences and varying shapes, for example embossed or corrugated plates.
- ▶ The lifting movement can be used to separate small and thin objects.
- ▶ Only lightweight objects should be handled when the lifting force is parallel to the surface of the object, in order to achieve good precision and safe lifting movement.

LIFTING FORCES & TECHNICAL DATA

Lifting force vertical to the surface, N, at vacuum level			Lifting force parallel to the surface, N, at vacuum level			Volume	Min. curve radius	Max. vertical movement	Weight rubber part
20 -kPa	60 -kPa	90 -kPa	20 -kPa	60 -kPa	90 -kPa	cm ³	mm	mm	g
5.9	9.8	14	—	—	—	2.7	10	10	3.2

MATERIAL SPECIFICATIONS

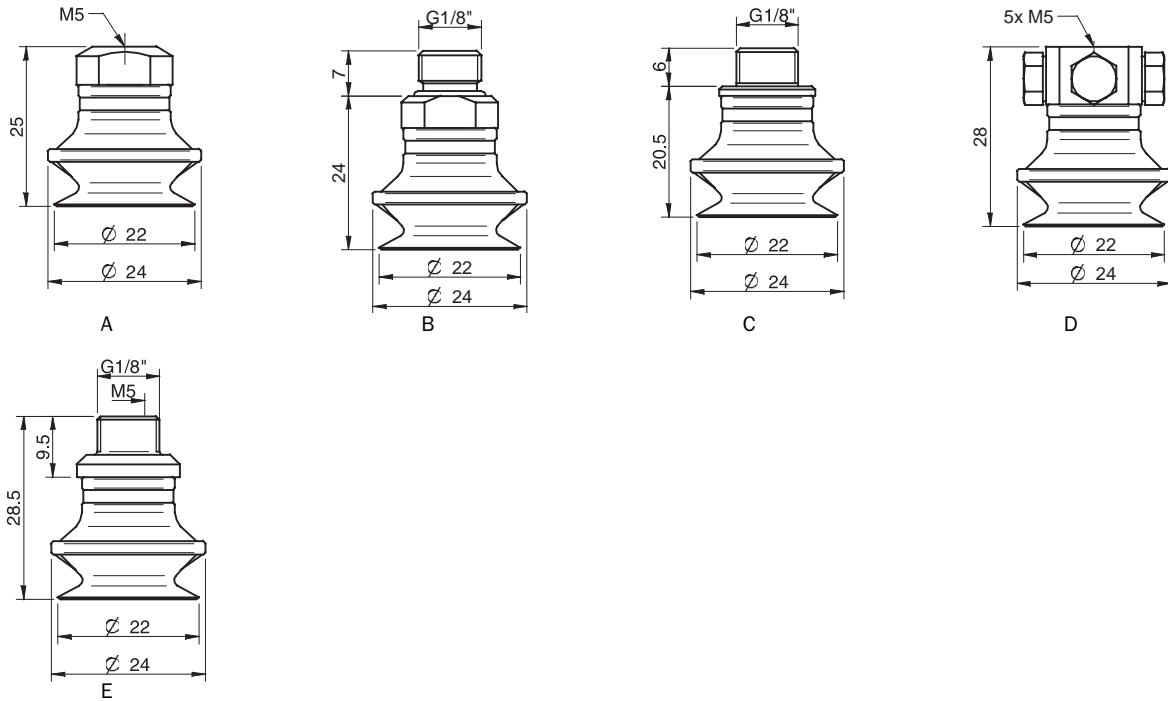
Material	Colour	Hardness °Shore A	Temperature range °C
Chloroprene, CR	Black	60	-40–110
Silicone, SIL	Red	50	-40–200

MATERIAL RESISTANCE

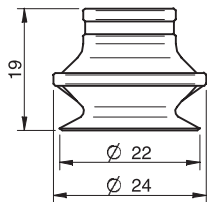
Material	Wear resistance	Oil	Weather & ozone	Hydrolysis	Petrol	Concentrated acids	Alcohol	Oxidation
Chloroprene, CR	Excellent	Fair	Good	Good	Fair	Poor	Good	Good
Silicone, SIL	Good	Poor	Excellent	Fair	Poor	Poor	Good	Excellent

ORDERING INFORMATION

	Complete suction cups	Art. No.
A	Suction cup B20 Chloroprene, M5 female	0101160
A	Suction cup B20 Chloroprene, M5 female, with dual flow control valve	0101166
B	Suction cup B20 Chloroprene, G1/8" male, with mesh filter	0101161
B	Suction cup B20 Chloroprene, G1/8" male, with mesh filter and dual flow control valve	0101167
C	Suction cup B20 Chloroprene, G1/8" male/M5 female, with mesh filter	0101165
C	Suction cup B20 Chloroprene, G1/8" male/M5 female, with dual flow control valve	0101169
D	Suction cup B20 Chloroprene, 5xM5 female	0101164
D	Suction cup B20 Chloroprene, 5xM5 female, with dual flow control valve	0101170
A	Suction cup B20 Silicone, M5 female	0101171
A	Suction cup B20 Silicone, M5 female, with dual flow control valve	0101177
B	Suction cup B20 Silicone, G1/8" male, with mesh filter	0101172
B	Suction cup B20 Silicone, G1/8" male, with mesh filter and dual flow control valve	0101178
C	Suction cup B20 Silicone, G1/8" male/M5 female, with mesh filter	0101176
C	Suction cup B20 Silicone, G1/8" male/M5 female, with dual flow control valve	0101180
D	Suction cup B20 Silicone, 5xM5 female	0101175
D	Suction cup B20 Silicone, 5xM5 female, with dual flow control valve	0101181
E	Suction cup B20 Chloroprene, G1/8" male/M5 female, PA	0110949
E	Suction cup B20 Silicone, G1/8" male/M5 female, PA	0110336



Rubber parts		Art. No.
Suction cup B20 Chloroprene		0101101
Suction cup B20 Silicone		0101102



Fittings	Art. No.
Fitting M5 female	3250003
Fitting M5 female, with dual flow control valve	3251001
Fitting G1/8" male, with mesh filter	3250085
Fitting G1/8" male, with mesh filter and dual flow control valve	3251002
Fitting G1/8" male/M5 female, with mesh filter	0101152
Fitting G1/8" male/M5 female, with dual flow control valve	3251004
Fitting 5xM5 female	0100260
Fitting 5xM5 female, with dual flow control valve	3251005
Fitting G1/8" male/M5 female, PA	3150196

For further information and dimensioned drawings, see SUCTION CUPS FITTINGS chapter.