

B150



SUCTION CUP WITH SHORT BELLOWS

- ▶ Suitable for level adjustment. Several short bellows in one lifting device can handle objects with height differences and varying shapes, for example embossed or corrugated plates.
- ▶ The lifting movement can be used to separate small and thin objects.
- ▶ Only lightweight objects should be handled when the lifting force is parallel to the surface of the object, in order to achieve good precision and safe lifting movement.

LIFTING FORCES & TECHNICAL DATA

Lifting force vertical to the surface, N, at vacuum level			Lifting force parallel to the surface, N, at vacuum level			Volume cm ³	Min. curve radius mm	Max. vertical movement mm	Weight rubber part g
20 -kPa	60 -kPa	90 -kPa	20 -kPa	60 -kPa	90 -kPa				
294	686	883	—	—	—	650	75	45	265

MATERIAL SPECIFICATIONS

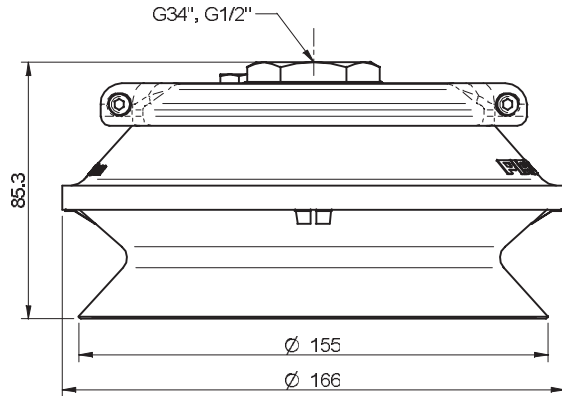
Material	Colour	Hardness °Shore A	Temperature range °C
Nitrile-PVC, NPV	Black	50	0-90
Silicone, SIL	Red	50	-40-200

MATERIAL RESISTANCE

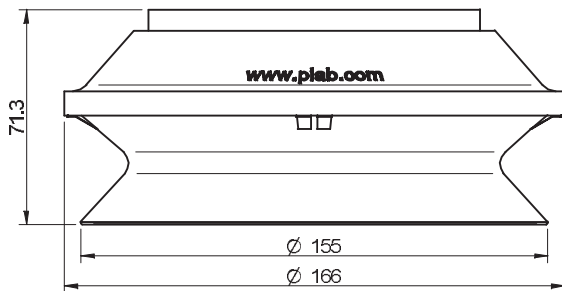
Material	Wear resistance	Oil	Weather & Ozone	Hydrolysis	Petrol	Concentrated acids	Alcohol	Oxidation
Nitrile-PVC, NPV	Excellent	Excellent	Good	Good	Excellent	Fair	Good	Good
Silicone, SIL	Good	Poor	Excellent	Fair	Poor	Poor	Good	Excellent

ORDERING INFORMATION

Complete suction cups	Art. No.
Suction cup B150 Nitrile-PVC, G1/2" female, with mesh filter	0101931
Suction cup B150 Nitrile-PVC, G3/4" female, with mesh filter	0101932
Suction cup B150 Silicone, G1/2" female, with mesh filter	0101928
Suction cup B150 Silicone, G3/4" female, with mesh filter	0101929



Rubber parts	Art. No.
Suction cup B150 Nitrile-PVC	3150109P
Suction cup B150 Silicone	3150109S



Fittings	Art. No.
Fitting 150, G1/2" female, with mesh filter	0100564
Fitting 150, G3/4" female, with mesh filter	0100567

For further information and dimensioned drawings, see *SUCTION CUPS FITTINGS* chapter.