

B110



SUCTION CUP WITH SHORT BELLOWS

- ▶ Suitable for level adjustment. Several short bellows in one lifting device can handle objects with height differences and varying shapes, for example embossed or corrugated plates.
- ▶ The lifting movement can be used to separate small and thin objects.
- ▶ Only lightweight objects should be handled when the lifting force is parallel to the surface of the object, in order to achieve good precision and safe lifting movement.

LIFTING FORCES & TECHNICAL DATA

Lifting force vertical to the surface, N, at vacuum level			Lifting force parallel to the surface, N, at vacuum level			Volume cm ³	Min. curve radius mm	Max. vertical movement mm	Weight rubber part g
20 -kPa	60 -kPa	90 -kPa	20 -kPa	60 -kPa	90 -kPa				
137	343	461	—	—	—	310	60	35	120

MATERIAL SPECIFICATIONS

Material	Colour	Hardness °Shore A	Temperature range °C
Nitrile-PVC, NPV	Black	50	0–90
Silicone, SIL	Red	50	-40–200
HNBR	Grey-blue	75	-30–140*

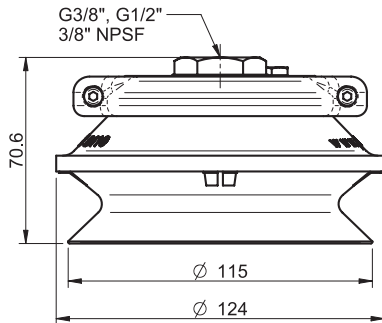
* For a shorter period of time up to +160 °C

MATERIAL RESISTANCE

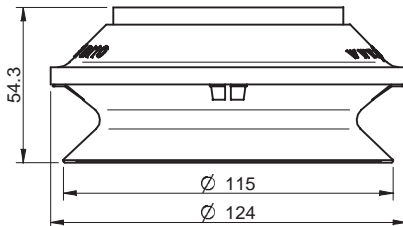
Material	Wear resistance	Oil	Weather & ozone	Hydrolysis	Petrol	Concentrated acids	Alcohol	Oxidation
Nitrile-PVC, NPV	Excellent	Excellent	Good	Good	Excellent	Fair	Good	Good
Silicone, SIL	Good	Poor	Excellent	Fair	Poor	Poor	Good	Excellent
HNBR	Excellent	Excellent	Excellent	Good	Excellent	Fair	Good	Excellent

ORDERING INFORMATION

Complete suction cups	Art. No.
Suction cup B110 Nitrile-PVC, G3/8" female, with mesh filter	0101890
Suction cup B110 Nitrile-PVC, 3/8" NPSF female, with mesh filter	0101891
Suction cup B110 Nitrile-PVC, G1/2" female, with mesh filter	0101892
Suction cup B110 Silicone, G3/8" female, with mesh filter	0101884
Suction cup B110 Silicone, 3/8" NPSF female, with mesh filter	0101885
Suction cup B110 Silicone, G1/2" female, with mesh filter	0101886
Suction cup B110 HNBR, G3/8" female, with mesh filter	0108178
Suction cup B110 HNBR, G1/2" female, with mesh filter	0108180
Suction cup B110 HNBR, 3/8" NPSF female, with mesh filter	0108179



Rubber parts	Art. No.
Suction cup B110 Nitrile-PVC	3150108P
Suction cup B110 Silicone	3150108S
Suction cup B110 HNBR	3150108T



Fittings	Art. No.
Fitting 110 G3/8" female, with mesh filter	0100557
Fitting 110, G1/2" female, with mesh filter	0100561
Fitting 110, 3/8" NPSF female, with mesh filter	0100559

For further information and dimensioned drawings, see *SUCTION CUPS FITTINGS* chapter.