

1/8" NPSF FEMALE



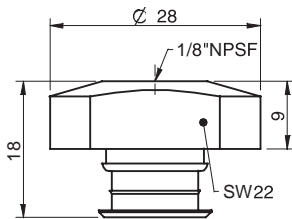
- ▶ **Suits suction cups:**
B50, B50-2, BX52P, B50MF, BL50-2, D50, F50-2, F50MF, U50-2
- ▶ **With cone valve only for:**
F50-2
- ▶ **Without mesh filter for:**
BX52P

TECHNICAL DATA

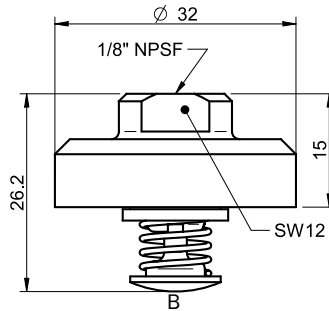
Description	Unit	Value			
		Without mesh filter	With mesh filter	With dual flow control valve	With cone valve
Weight	g	10	10	10	15
Working temperature	°C	-20-120	-20-120	0-80	-20-90
Material		Al	Al/SS	Al/PUR	Al/SS/NBR

ORDERING INFORMATION

	Description	Art. No.
A	Fitting 1/8" NPSF female, 50	3250017
A	Fitting 1/8" NPSF female, 50, with mesh filter	0101154
A	Fitting 1/8" NPSF female, 50, with dual flow control valve	3251012
B	Fitting 1/8" NPSF female, 50, with cone valve	0101157



A



B