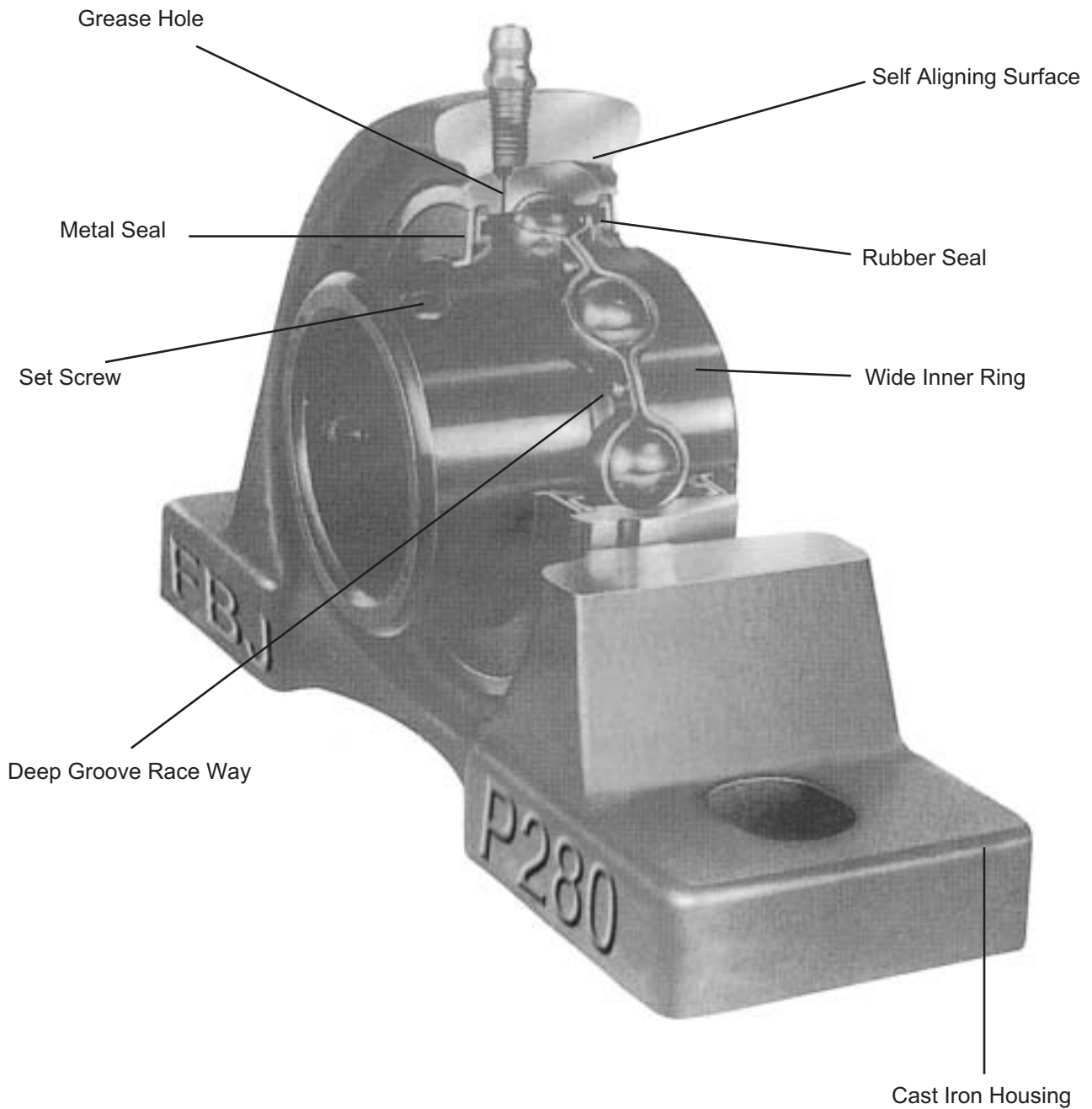


# CONTENTS

|   | Page |
|---|------|
| <b>TYPES OF FBJ BEARING UNITS AND BEARING INSERTS</b>           |      |
| 1. BASIC STRUCTURE OF FBJ PILLOW BLOCKS                         | 3    |
| 2. BEARING MATERIAL AND OPERATING TEMPERATURE                   | 4    |
| 3. LUBRICATION, CLEARANCE AND SPEED LIMITS OF FBJ PILLOW BLOCKS | 6    |
| 5. BEARING LIFE OF FBJ PILLOW BLOCK UNITS                       | 8    |
| 6. ALLOWABLE LOAD FOR FBJ HOUSINGS                              | 9    |
| 7. MOUNTING OF FBJ PILLOW BLOCK UNITS                           | 12   |
| 8. FBJ BEARING UNITS AND BEARING INSERTS TABLES                 | 14   |
| <b>FBJ PLUMMER BLOCKS HOUSINGS</b>                              |      |
| 9. BASIC STRUCTURE OF FBJ PLUMMER BLOCKS HOUSINGS               |      |
| 10. MATERIAL OF HOUSING AND ACCESSORIES & MACHINING TOLERANCES  |      |
| 11. FBJ PLUMMER BLOCK HOUSING TABLES                            |      |
| <b>CONVERSION / MATCHING TABLES</b>                             |      |
| 12. CONVERSION GUIDE  |      |
| 13. FBJ BEARING INSERTS AND HOUSING MATCHING TABLE              |      |
| 14. Inch ~ mm CONVERSION TABLE                                  |      |

# Basic Structure



# 1. BASIC STRUCTURE OF FBJ PILLOW BLOCKS

## 1.1. FBJ Bearing units

The FBJ range of bearing units offer a wide choice of Cast Iron, Pressed Steel or Thermo – Plastic housings fitted with the full, range of bearing inserts, with spherical outer diameter and some with cylindrical outer diameter.

The general housing types are Pillow blocks, Flange units, Hanger Units, Cartridge units and Take-Up units. Choice is very much determined by the requirements of the application, although the aesthetic appearance of the machine design is often an important consideration. Self-Lube units have been designed to meet the needs of both criteria.

The castings are made from high-quality Gray cast iron (JIS, G5501) and finished on all un-machined surfaces with standard dimensions. Pressed steel housings are made from mild steel strips (JIS, 3141) and are zinc plated. In corrosive environment and Food industry, it is recommended to use Thermo – Plastic housings (VALOX 420) with Stainless Steel Bearing inserts.

## 1.2 FBJ Bearing inserts

The FBJ bearing insert, commonly known as a wide inner ring bearings, is designed to suit the wide range, of housings. FBJ bearing inserts also suitable for applications where the users own housing is preferred.

Bearing inserts are basically deep-groove ball bearings to the internationally popular 6, series configuration with integral design features making them more functional and versatile than the standard ball bearing. They are offered with either parallel or spherical outside diameter outer rings with the latter being the type fitted as standard in the bearing unit.

The integral design features of the bearing insert are such as shaft locking, seals and re-lubrication.

The inner rubber seals are firmly assembled on the outer ring and ensure perfect sealing of grease chamber. The steel shield or slingers rotate with inner ring and generate centrifugal force, by means of which dust is efficiently excluded.

FBJ offer two types of material for bearing insert, High Carbon Chromium Bearing Steel and Stainless Steel.

## 2. BEARING MATERIAL AND OPERATING TEMPERATURE

### 2.1 BEARING MATERIAL

The performance of a rolling bearing is highly influenced by the material used. For FBJ Pillow Block either vacuum degassed High Carbon Chromium Bearing Steel or Stainless Steel use as the material for bearing insert and Gray Cast Iron, Sheet Steel or Thermo Plastic for the housing.

Materials used for FBJ High Carbon Chromium Bearing Steel bearing insert and Cast Iron Housing Bearing Units

Table 3.1.1

| Component                       | MATERIALS USED                     | JIS     |        |
|---------------------------------|------------------------------------|---------|--------|
|                                 |                                    | SYMBOL  | NUMBER |
| Ball, Inner Ring and Outer Ring | High Carbon Chromium Bearing Steel | SUJ 2   | G 4805 |
| Cage and shield                 | Cold rolled steel sheets or strips | SPCC    | G 3141 |
| Seal                            | Nitrile rubber                     | -       | -      |
| Set Screw                       | Nickel Chromium Molybdenum Steel   | SCM 435 | G 4105 |
| Sleeve and Nut (For Adapter)    | Mild Steel                         | S 25 C  | G 4051 |
| Washer (For Adapter)            | Cold rolled steel sheets or strips | SPCC    | G 3141 |
| Grease Nipple                   | Free Cutting Brass Bar             | C 3604  | H 3250 |
| Housing                         | Gray Cast Iron                     | FC 200  | G 5501 |

Materials used for FBJ Stainless Steel Bearings bearing insert and Thermo Plastic Housing Bearing Units

Table 3.1.2

| Component                       | MATERIALS USED  | JIS SYMBOL |
|---------------------------------|-----------------|------------|
| Ball, Inner Ring and Outer Ring | Stainless Steel | SUS440C    |
| Cage and shield                 | Stainless Steel | SUS304     |
| Seal                            | Nitrile rubber  | -          |
| Set Screw                       | Stainless Steel | SUS410     |
| Grease Nipple                   | Stainless Steel | SUS304     |
| Housing and Cover               | Thermo Plastic  | VALOX420   |

### 3.2 CHEMICAL COMPOSITION OF HIGH CARBON CHROMIUM BEARING STEEL BEARING INSERT MATERIALS

Table 3.2.1

| SYMBOL | Component                       | CHEMICAL COMPOSITION % |           |        |         |         |           |      | Hardness HRC |
|--------|---------------------------------|------------------------|-----------|--------|---------|---------|-----------|------|--------------|
|        |                                 | C                      | Si        | Mn     | P       | S       | Cr        | Mo   |              |
| SUJ2   | Ball, Inner Ring and Outer Ring | 0.9~1.10               | 0.15~0.35 | ≤ 0.50 | ≤ 0.025 | ≤ 0.025 | 1.30~1.60 | 0.08 | 58~65        |
| SPCC   | Cage and Shield                 | ≤ 0.12                 | -         | ≤ 0.50 | ≤ 0.040 | ≤ 0.045 | -         | -    | -            |

### 3.3 CHEMICAL COMPOSITION OF STAINLESS STEEL BEARING INSERT MATERIALS

Table 3.3.1

| JIS Symbol | Component                       | CHEMICAL COMPOSITION % |        |        |         |         |           |      | Hardness HRC |
|------------|---------------------------------|------------------------|--------|--------|---------|---------|-----------|------|--------------|
|            |                                 | C                      | Si     | Mn     | P       | S       | Cr        | Mo   |              |
| SUS440C    | Ball, Inner Ring and Outer Ring | 0.9~1.20               | ≤ 1.00 | ≤ 1.00 | ≤ 0.040 | ≤ 0.030 | 16.0~18.0 | 0.75 | 58~65        |

Table 3.3.2

| JIS Symbol | Component | CHEMICAL COMPOSITION % |           |           | Hardness HB |
|------------|-----------|------------------------|-----------|-----------|-------------|
|            |           | C                      | Cr        | Ni        |             |
| SUS410     | Set Screw | 0.16~0.17              | 11.5~13.5 | 0.70~0.80 | 380~400     |

Table 3.3.3

| JIS Symbol | Component | CHEMICAL COMPOSITION % |           |          |       | Hardness HRC |
|------------|-----------|------------------------|-----------|----------|-------|--------------|
|            |           | C                      | Cr        | Ni       | N     |              |
| SUS304     | Cage      | 0.075~0.085            | 18.0~20.0 | 8.0~10.0 | ≤ 0.1 | 25~39        |

### 3.4 Operating temperature range for FBJ Pillow Block bearings.

FBJ Pillow Block Bearing Inserts with Cast Iron Housings, Pillow Block Bearing Inserts with Pressed Steel Housings and Stainless Steel Bearing Inserts can withstand the operating temperatures from  $-15^{\circ}\text{C}$  to  $120^{\circ}\text{C}$ .

FBJ Pillow Block bearings with Thermo Plastic Housing and Stainless Steel Bearing Inserts can withstand the operating temperatures from  $-15^{\circ}\text{C}$  to  $60^{\circ}\text{C}$

Operating environments of higher than  $120^{\circ}\text{C}$  or lower than  $-15^{\circ}\text{C}$  of operating temperatures, please contact FBJ sales or engineering department.

## 4. LUBRICATION, CLEARANCE AND SPEED LIMITS OF FBJ PILLOW BLOCKS

### 4.1 BEARING LUBRICATION

Bearing lubrication reduces friction and wear, acts as a coolant, minimizes contamination, prevents corrosion, and generally extends bearing life. Selecting the best lubricant for your specific application becomes a very important decision; however, choosing from the hundreds available lubricants can be an overwhelming task. FBJ engineering staff is available to help make the right decision for your application.

FBJ bearing Inserts with pressed steel housings are for life lubrication and filled with high quality multipurpose grease, with the correct quantity. These bearings cannot be re-lubricate.

Bearing Inserts with Cast iron housings or Thermo Plastic housings are equipped with a grease nipple and also filled with high quality multipurpose grease and with the correct quantity. These bearings are to be re-lubricate after the recommended hours of initial operation, to ensure a long life and smooth running.

It is important to use the correct grease with correct amount in the correct replenishment period.

Table 4.1.1

| Bore Dia Ref | Replenishment Grease Quantity (g) |          |          | Bore Dia Ref | Replenishment Grease Quantity (g) |          |          |
|--------------|-----------------------------------|----------|----------|--------------|-----------------------------------|----------|----------|
|              | UC2, UK2                          | UCX, UKX | UC3, UK3 |              | UC2, UK2                          | UCX, UKX | UC3, UK3 |
| 01           | 1.8                               | –        | –        | 11           | 10.3                              | 13.2     | 25       |
| 02           | 1.8                               | –        | –        | 12           | 13.2                              | 14.9     | 31       |
| 03           | 1.8                               | –        | –        | 13           | 14.9                              | 18.2     | 39       |
| 04           | 1.8                               | –        | –        | 14           | 18.2                              | 21.0     | 47       |
| 05           | 1.8                               | 3.3      | 4.2      | 15           | 21.0                              | 25.0     | 56       |
| 06           | 3.3                               | 4.5      | 5.9      | 16           | 25.0                              | 31.0     | 65       |
| 07           | 4.5                               | 5.6      | 8.1      | 17           | 31.0                              | 38.0     | 78       |
| 08           | 5.6                               | 6.5      | 10.1     | 18           | 38.0                              | 48.0     | 90       |
| 09           | 6.5                               | 7.7      | 12.6     | 19           | –                                 | –        | 108      |
| 10           | 7.7                               | 10.3     | 18.1     | 20           | –                                 | –        | 141      |

Table 4.1.2 Grease Replenishment Period

| Ambient Condition              | Bearing Operating Temperature °C |       | Replenishment Period         |                             |
|--------------------------------|----------------------------------|-------|------------------------------|-----------------------------|
|                                | Over                             | Below | d <sub>n</sub> : Under 50000 | d <sub>n</sub> : Over 50000 |
| Fairly Clean                   | –                                | 50    | No supply                    | 18 ~ 30 Months              |
|                                | 50                               | 70    | 12 ~ 18 Months               | 6 ~ 12 Months               |
|                                | 70                               | 100   | 4 ~ 8 Months                 | 1 ~ 3 Months                |
|                                | 100                              | –     | 2 ~ 4 Weeks                  | 1 ~ 2 Weeks                 |
| Somewhat Dusty                 | –                                | 50    | 1 ~ 2 Years                  | 6 ~ 12 Months               |
|                                | 50                               | 70    | 4 ~ 8 Months                 | 2 ~ 4 Months                |
|                                | 70                               | 100   | 3 ~ 6 Weeks                  | 2 ~ 4 Weeks                 |
|                                | 100                              | –     | 1 ~ 2 Weeks                  | Every Week                  |
| Considerable Dusty             | –                                | 70    | 1 ~ 2 Months                 | 3 ~ 6 Weeks                 |
|                                | 70                               | 100   | 2 ~ 4 Weeks                  | 1 ~ 2 Weeks                 |
|                                | 100                              | –     | 1 ~ 7 Days                   | 1 ~ 3 Days                  |
| Much Moisture and Water Splash | –                                | –     | 1 ~ 3 Days                   | Every Day                   |

$d_n = d \text{ (shaft diameter in mm)} \times n \text{ (speed in rpm)}$

## 4.2 CLEARANCE OF FBJ BEARING INSERTS

All FBJ cylindrical bore insert bearings are of normal clearance and tapered bore insert bearings are of C3 clearance. If you need any special clearance other than this, please consult FBJ Engineering department.

Table 4.2.1

| Bore Dia Ref (d) |      | Clearance (µm) |      |      |      |
|------------------|------|----------------|------|------|------|
| (mm)             |      | Normal         |      | C3   |      |
| Over             | Incl | Min.           | Max. | Min. | Max. |
| 2.5              | 10   | 2              | 13   | 8    | 23   |
| 10               | 18   | 3              | 18   | 11   | 25   |
| 18               | 24   | 5              | 20   | 13   | 28   |
| 24               | 30   | 5              | 20   | 13   | 28   |
| 30               | 40   | 6              | 20   | 15   | 33   |
| 40               | 50   | 6              | 23   | 18   | 36   |
| 50               | 65   | 8              | 28   | 23   | 43   |
| 65               | 80   | 10             | 30   | 25   | 51   |
| 80               | 100  | 12             | 36   | 30   | 58   |
| 100              | 120  | 15             | 41   | 36   | 66   |

## 4.3 SPEED LIMITS FOR FBJ PILLOW BLOCK BEARING INSERTS

Table 4.3.1

| BEARING NUMBER | MAX SPEED (rpm) | BEARING NUMBER | MAX SPEED (rpm) | BEARING NUMBER | MAX SPEED (rpm) | BEARING NUMBER | MAX SPEED (rpm) | BEARING NUMBER | MAX SPEED (rpm) |
|----------------|-----------------|----------------|-----------------|----------------|-----------------|----------------|-----------------|----------------|-----------------|
| UC, UK 201     | 5800            | -              | -               | -              | -               | -              | -               | SA, SB 201     | 6800            |
| UC, UK 202     | 5800            | -              | -               | -              | -               | -              | -               | SA, SB 202     | 6800            |
| UC, UK 203     | 5800            | -              | -               | -              | -               | -              | -               | SA, SB 203     | 6800            |
| UC, UK 204     | 5800            | -              | -               | -              | -               | SSUC 204       | 5000            | SA, SB 204     | 5800            |
| UC, UK 205     | 5100            | UC, UK X 05    | 4300            | UC, UK 305     | 4600            | SSUC 205       | 4000            | SA, SB 205     | 5100            |
| UC, UK 206     | 4300            | UC, UK X 06    | 3700            | UC, UK 306     | 3900            | SSUC 206       | 3300            | SA, SB 206     | 4300            |
| UC, UK 207     | 3700            | UC, UK X 07    | 3300            | UC, UK 307     | 3400            | SSUC 207       | 3200            | SA, SB 207     | 3700            |
| UC, UK 208     | 3300            | UC, UK X 08    | 3100            | UC, UK 308     | 3100            | SSUC 208       | 2800            | SA, SB 208     | 3300            |
| UC, UK 209     | 3100            | UC, UK X 09    | 2800            | UC, UK 309     | 2700            | SSUC 209       | 2600            | SA, SB 209     | 3100            |
| UC, UK 210     | 2800            | UC, UK X 10    | 2500            | UC, UK 310     | 2400            | SSUC 210       | 2300            | SA, SB 210     | 2800            |
| UC, UK 211     | 2500            | UC, UK X 11    | 2300            | UC, UK 311     | 2300            | SSUC 211       | 2000            | SA, SB 211     | 2500            |
| UC, UK 212     | 2300            | UC, UK X 12    | 2200            | UC, UK 312     | 2100            | SSUC 212       | 1800            | SA, SB 212     | 2300            |
| UC, UK 213     | 2200            | UC, UK X 13    | 2100            | UC, UK 313     | 1900            | -              | -               | -              | -               |
| UC, UK 214     | 2100            | UC, UK X 14    | 2000            | UC, UK 314     | 1800            | -              | -               | -              | -               |
| UC, UK 215     | 2000            | UC, UK X 15    | 1800            | UC, UK 315     | 1700            | -              | -               | -              | -               |
| UC, UK 216     | 1800            | UC, UK X 16    | 1700            | UC, UK 316     | 1600            | -              | -               | -              | -               |
| UC, UK 217     | 1700            | UC, UK X 17    | 1600            | UC, UK 317     | 1500            | -              | -               | -              | -               |
| UC, UK 218     | 1600            | -              | -               | UC, UK 318     | 1400            | -              | -               | -              | -               |
| -              | -               | -              | -               | UC, UK 319     | 1400            | -              | -               | -              | -               |
| -              | -               | -              | -               | UC, UK 320     | 1300            | -              | -               | -              | -               |

## 5. BEARING LIFE OF FBJ PILLOW BLOCK UNITS

Any bearing, even operating under normal conditions, the surfaces of the raceway and rolling elements are constantly being subjected to repeated compressive stresses which cause flaking of these surfaces to occur. This flaking is due to material fatigue and will eventually cause the bearings to fail.

When bearing is stationary, still the rolling elements are subjected to static loads. This leads to a plastic total deformation of rolling element and raceway of about 0.0001 of the rolling element diameter at the most heavily loaded contact area.

The life of bearing is regarded as expired when the revolution fatigue is produced on the rolling face of bearing. In reference with this life, the Load rating is defined where the load is applied under certain conditions.

The life of each bearing is defined as the total number of revolution until the first flaking mark due to fatigue appears. When the number of rotation is constant, it is shown by the total time until the first flaking mark appears. Even if same type of bearings of excellent materials with same design and finished by the same heat treatment and manufacturing processes are driven under the same conditions, the lives of bearings scatter to some extent due to uncontrollable differences in them. Therefore, it is not adequate to use the mean life as the standard life of bearings.

The rated Life is defined here as the total number of rotations or time of driving after which 90% of the bearings of a group under test remains without fatigue.

The basic load rating is the pure radial load of constant direction and magnitude which gives the rated life of  $10^6$  rotations when the outer ring is fixed and the inner ring is rotated. There exists the following relationship between the basic load rating and the life.

$$L_n = \left( \frac{C}{P} \right)^K$$

Where, **L<sub>n</sub>** : rated life in total number of rotations which unit is **10<sup>6</sup>** rotations.  
(When **L<sub>n</sub>** = 3, it means 3 million rotations.)

- C** : basic load rating      **kgf**
- K** : coefficient (3 for ball bearing and  $\frac{10}{3}$  for roller bearing)
- P** : load (equivalent radial load)      **kgf**

When the bearings are installed to an apparatus rotating at a constant number of rotation, the lives are mostly estimated by driving hours, and the following equation which is modified by the above equation is used.

$$L_h = \frac{10^6}{60} \frac{L_n}{n} = \frac{10^6}{60n} \left( \frac{C}{P} \right)^K = \frac{50000}{3n} \left( \frac{C}{P} \right)^K$$

where **L<sub>h</sub>** : rated life time in total rotating time,      **hour**  
**n** : speed of rotation,      **r.p.m.**

The above equation can be modified to give an equation which is convenient to actual designing

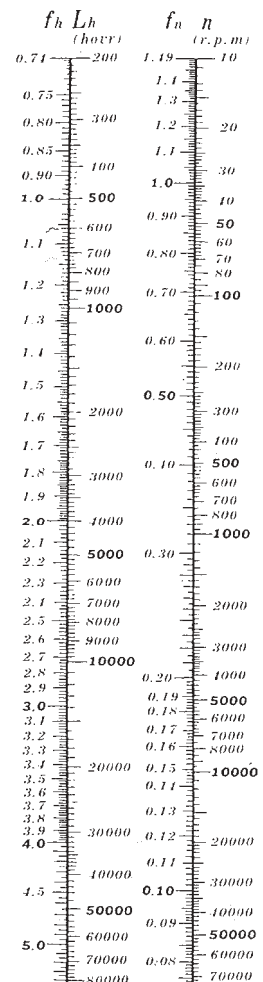
$$L_h = 500f_h K$$

$$f_h = f_n \cdot \frac{C}{P}$$

$$f_n = \left( \frac{33.3}{n} \right)^{\frac{1}{K}}$$

where, **f<sub>h</sub>** : life factor  
**f<sub>n</sub>** : speed factor

Please refer to the nomogram at the right hand, which shows the values of **n:f<sub>n</sub>** and **L<sub>h</sub>:f<sub>h</sub>** for the ball bearing.





## 6. ALLOWABLE LOAD FOR FBJ HOUSINGS

It is important, not only the dynamic and static load capacity of a bearing insert, but also to consider destruction strength of the housing, before you select the correct bearing for your application.

FBJ has done extensive research on this and present below tables to ease your problems. Please note that, allowable load varies depending on load direction and type of the housing.

### 6.1 ALLOWABLE LOAD FOR P TYPE CAST IRON HOUSINGS

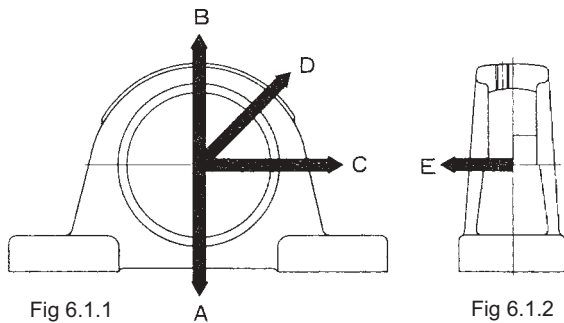


Table 6.1.1

| Housing Number | Destruction Strength / (N) and Load Direction |       |       |       |       |
|----------------|---|-------|-------|-------|-------|
|                | A   | B     | C     | D     | E     |
| P203           | 7100  | 3000  | 5000  | 2300  | 1100  |
| P204           | 8100  | 3300  | 5600  | 2500  | 1700  |
| P205           | 9400  | 3700  | 6100  | 2800  | 1800  |
| P206           | 12000   | 5000  | 9000  | 3500  | 2200  |
| P207           | 16000   | 6100  | 10000 | 4400  | 2400  |
| P208           | 18000   | 6600  | 11000 | 4600  | 2500  |
| P209           | 19000   | 7000  | 12000 | 4900  | 2600  |
| P210           | 19000   | 7500  | 14000 | 5700  | 3200  |
| P211           | 21000   | 8200  | 15000 | 6000  | 3400  |
| P212           | 28000   | 11000 | 17000 | 7300  | 4400  |
| P213           | 29000   | 12000 | 19000 | 8300  | 5100  |
| P214           | 32000   | 12000 | 20000 | 8400  | 5600  |
| P215           | 33000   | 13000 | 21000 | 9200  | 5800  |
| P216           | 36000   | 15000 | 27000 | 11000 | 6600  |
| P217           | 45000   | 17000 | 28000 | 12000 | 7500  |
| P218           | 48000   | 19000 | 33000 | 13000 | 12000 |

Table 6.1.2

| Housing Number | Destruction Strength / (N) and Load Direction |       |       |       |       |
|----------------|---|-------|-------|-------|-------|
|                | A   | B     | C     | D     | E     |
| PX05           | 13000   | 5000  | 9000  | 3500  | 2300  |
| PX06           | 17000   | 6200  | 10000 | 4500  | 3100  |
| PX07           | 19000   | 6800  | 11000 | 4800  | 3400  |
| PX08           | 20000   | 7500  | 13000 | 5300  | 3900  |
| PX09           | 22000   | 8200  | 14000 | 5700  | 4200  |
| PX10           | 25000   | 10000 | 16000 | 6900  | 5200  |
| PX11           | 28000   | 11000 | 18000 | 7600  | 5600  |
| PX12           | 30000   | 13000 | 20000 | 8800  | 6400  |
| PX13           | 36000   | 13000 | 20000 | 9200  | 6700  |
| PX14           | 37000   | 14000 | 23000 | 9800  | 7100  |
| PX15           | 39000   | 18000 | 30000 | 13000 | 9200  |
| PX16           | 43000   | 19000 | 31000 | 13000 | 9400  |
| PX17           | 50000   | 21000 | 35000 | 15000 | 10000 |

Table 6.1.3

| Housing Number | Destruction Strength / (N) and Load Direction |       |       |       |       |
|----------------|---|-------|-------|-------|-------|
|                | A   | B     | C     | D     | E     |
| P305           | 15000   | 4500  | 7100  | 3400  | 2600  |
| P306           | 18000   | 6100  | 8400  | 4200  | 3000  |
| P307           | 20000   | 6300  | 11000 | 5400  | 3800  |
| P308           | 22000   | 7500  | 12000 | 5700  | 4800  |
| P309           | 27000   | 8500  | 15000 | 6800  | 6300  |
| P310           | 34000   | 9800  | 16000 | 7100  | 7900  |
| P311           | 36000   | 11000 | 23000 | 8000  | 8600  |
| P312           | 32000   | 13000 | 24000 | 8900  | 9000  |
| P313           | 37000   | 15000 | 25000 | 10000 | 9300  |
| P314           | 40000   | 16000 | 27000 | 10000 | 9500  |
| P315           | 43000   | 18000 | 30000 | 12000 | 11000 |
| P316           | 47000   | 19000 | 35000 | 13000 | 12000 |
| P317           | 49000   | 21000 | 36000 | 15000 | 13000 |
| P318           | 55000   | 22000 | 38000 | 16000 | 13000 |
| P319           | 60000   | 24000 | 42000 | 18000 | 14000 |
| P320           | 68000   | 27000 | 56000 | 19000 | 17000 |

**6.2 ALLOWABLE LOAD FOR FLANGE TYPE CAST IRON HOUSINGS**

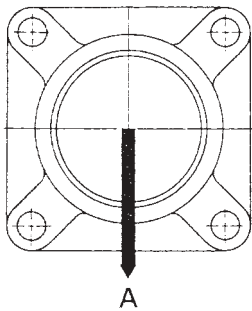


Fig 6.2.1

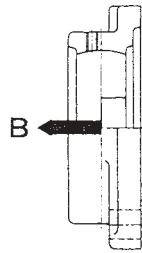


Fig 6.2.2

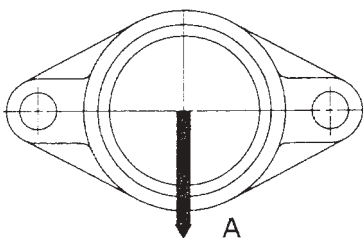


Fig 6.2.3

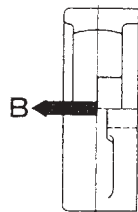


Fig 6.2.4

Table 6.2.1

| Housing Number |       | Destruction Strength / (N) and Load Direction |       |       |       |
|----------------|-------|---|-------|-------|-------|
|                |       | F2  |       | FL2   |       |
|                |       | A   | B     | A     | B     |
| F204           | FL204 | 4300  | 1800  | 2400  | 1200  |
| F205           | FL205 | 6700  | 2500  | 3800  | 1600  |
| F206           | FL206 | 6700  | 3000  | 3800  | 2000  |
| F207           | FL207 | 6500  | 3600  | 4100  | 2300  |
| F208           | FL208 | 7100  | 3900  | 4100  | 2700  |
| F209           | FL209 | 10000   | 4700  | 6200  | 3200  |
| F210           | FL210 | 10000   | 5000  | 6200  | 3900  |
| F211           | FL211 | 9200  | 5700  | 7400  | 4400  |
| F212           | FL212 | 9200  | 6200  | 8800  | 4800  |
| F213           | FL213 | 17000   | 6900  | 9800  | 6200  |
| F214           | FL214 | 19000   | 7600  | 10000 | 7000  |
| F215           | FL215 | 19000   | 8000  | 11000 | 7200  |
| F216           | FL216 | 17000   | 8600  | 13000 | 8600  |
| F217           | FL217 | 21000   | 9500  | 14000 | 9400  |
| F218           | FL218 | 25000   | 11000 | 14000 | 14000 |

Table 6.2.2

| Housing Number |       | Destruction Strength / (N) and Load Direction |       |      |      |
|----------------|-------|---|-------|------|------|
|                |       | FX  |       | FLX  |      |
|                |       | A   | B     | A    | B    |
| FX05           | FLX05 | 6700  | 3100  | 3100 | 2300 |
| FX06           | FLX06 | 5000  | 3800  | 2800 | 2900 |
| FX07           | FLX07 | 6600  | 4300  | 3000 | 3700 |
| FX08           | FLX08 | 7200  | 4800  | 3800 | 4100 |
| FX09           | FLX09 | 7200  | 5200  | 4100 | 5300 |
| FX10           | FLX10 | 10000   | 5800  | 5100 | 5700 |
| FX11           |       | 10000   | 6600  |      |      |
| FX12           |       | 16000   | 7800  |      |      |
| FX13           |       | 16000   | 8000  |      |      |
| FX14           |       | 19000   | 8900  |      |      |
| FX15           |       | 21000   | 8500  |      |      |
| FX16           |       | 19000   | 10000 |      |      |
| FX17           |       | 19000   | 10000 |      |      |

Table 6.2.3

| Housing Number |       | Destruction Strength / (N) and Load Direction |       |       |       |
|----------------|-------|---|-------|-------|-------|
|                |       | F3  |       | FL3   |       |
|                |       | A   | B     | A     | B     |
| F305           | FL305 | 7200  | 3500  | 3800  | 2100  |
| F306           | FL306 | 8300  | 4400  | 6800  | 2300  |
| F307           | FL307 | 10000   | 5100  | 6600  | 2800  |
| F308           | FL308 | 13000   | 6100  | 6400  | 3700  |
| F309           | FL309 | 11000   | 6600  | 9900  | 4000  |
| F310           | FL310 | 15000   | 7900  | 11000 | 5500  |
| F311           | FL311 | 17000   | 7800  | 11000 | 5900  |
| F312           | FL312 | 19000   | 9700  | 12000 | 6100  |
| F313           | FL313 | 17000   | 9000  | 12000 | 8300  |
| F314           | FL314 | 23000   | 9800  | 17000 | 8700  |
| F315           | FL315 | 27000   | 11000 | 15000 | 9500  |
| F316           | FL316 | 24000   | 12000 | 20000 | 11000 |
| F317           | FL317 | 27000   | 13000 | 20000 | 7500  |
| F318           | FL318 | 34000   | 14000 | 23000 | 14000 |
| F319           | FL319 | 32000   | 17000 | 27000 | 19000 |
| F320           | FL320 | 38000   | 18000 | 28000 | 20000 |

**6.3 ALLOWABLE LOAD FOR TAKE UP UNIT CAST IRON HOUSINGS**

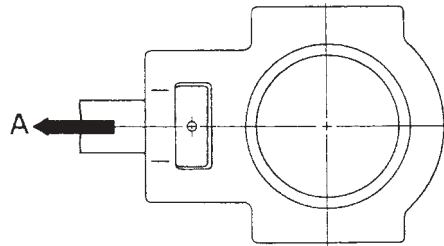


Fig 6.3.1

Table 6.3.1

| Housing Number |      |      | Destruction Strength / (N) and Load Direction |       |       |
|----------------|------|------|---|-------|-------|
|                |      |      | T2  | TX    | T3    |
|                |      |      | A   | A     | A     |
| T204           |      |      | 3400  |       |       |
| T205           | TX05 | T305 | 3800  | 4100  | 5300  |
| T206           | TX06 | T306 | 4100  | 5700  | 6200  |
| T207           | TX07 | T307 | 5800  | 7800  | 7100  |
| T208           | TX08 | T308 | 8200  | 7800  | 8100  |
| T209           | TX09 | T309 | 7800  | 8500  | 9300  |
| T210           | TX10 | T310 | 8600  | 9400  | 11000 |
| T211           | TX11 | T311 | 9700  | 11000 | 12000 |
| T212           | TX12 | T312 | 10000   | 13000 | 13000 |
| T213           | TX13 | T313 | 13000   | 13000 | 15000 |
| T214           | TX14 | T314 | 13000   | 13000 | 17000 |
| T215           | TX15 | T315 | 13000   | 13000 | 18000 |
| T216           | TX16 | T316 | 14000   | 15000 | 20000 |
| T217           | TX17 | T317 | 16000   | 16000 | 21000 |
|                |      | T318 |   |       | 25000 |
|                |      | T319 |   |       | 27000 |
|                |      | T320 |   |       | 32000 |

**6.4 ALLOWABLE LOAD FOR PEDASTAL TYPE CAST IRON HOUSINGS**

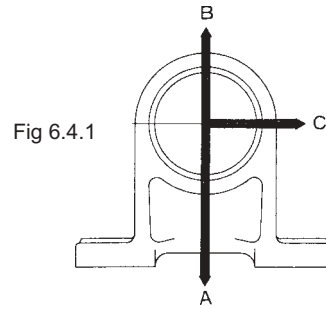


Fig 6.4.1

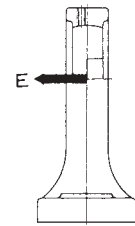


Fig 6.4.2

Table 6.4.1

| Housing Number | Destruction Strength / (N) and Load Direction |      |      |      |
|----------------|---|------|------|------|
|                | A   | B    | C    | E    |
| PH204          | 8000  | 2700 | 1800 | 1700 |
| PH205          | 9200  | 3000 | 2000 | 1800 |
| PH206          | 11000   | 4100 | 2800 | 2200 |
| PH207          | 15000   | 4900 | 3200 | 2400 |
| PH208          | 17000   | 5300 | 3500 | 2500 |
| PH209          | 18000   | 5700 | 3900 | 2600 |
| PH210          | 19000   | 6100 | 4400 | 3200 |
| PH211          | 20000   | 6500 | 5000 | 3600 |
| PH212          | 21000   | 7000 | 5500 | 4000 |
| PH213          | 22000   | 7700 | 6000 | 4600 |
| PH214          | 24000   | 8300 | 6600 | 5200 |
| PH215          | 26000   | 9000 | 7400 | 6000 |
| PH216          | 28000   | 9800 | 8000 | 6600 |

**6.5 ALLOWABLE LOAD FOR ALL PRESSED STEEL HOUSINGS**

Load capacity of, every pressed steel type housing is to be as follows.

Load capacity of radial direction = Basic Dynamic Load / 6

Load capacity of thrust direction = Basic Dynamic Load / 18

**6.6 ALLOWABLE LOAD FOR THERMO-PLASTIC HOUSINGS**

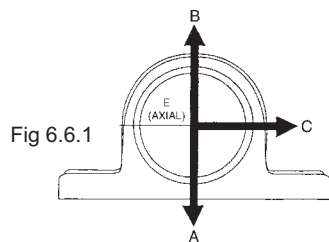


Fig 6.6.1

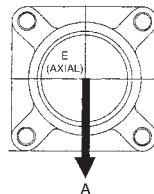


Fig 6.6.2

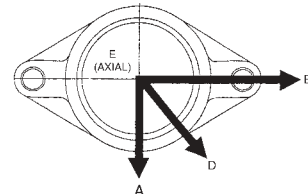


Fig 6.6.3

Table 6.6.1

| Housing Number | DESTRUCTION STRENGTH / (N) and Load Direction |       |       |       |       |     |       |       |       |      |
|----------------|---|-------|-------|-------|-------|-----|-------|-------|-------|------|
|                | SPP   |       |       |       | SPF   |     | SPFL  |       |       |      |
|                | A   | B     | C     | E     | A     | E   | A     | B     | D     | E    |
| 204            | 16600   | 5600  | 7000  | 3000  | 14700 | 340 | 7400  | 5600  | 6600  | 3300 |
| 205            | 19600   | 5800  | 7400  | 3200  | 15700 | 340 | 7600  | 8000  | 8400  | 3300 |
| 206            | 28300   | 6000  | 8600  | 4000  | 17600 | 340 | 8500  | 10800 | 10300 | 3300 |
| 207            | 38300   | 6600  | 10300 | 5700  | 18100 | 350 | 10700 | 13800 | 12200 | 3400 |
| 208            | 44500   | 11100 | 12100 | 8500  | 18600 | 380 | 15100 | 17300 | 14000 | 3700 |
| 209            | 50000   | 11800 | 13800 | 9600  | 19600 | 420 | 18300 | 21000 | 16000 | 4100 |
| 210            | 54000   | 12400 | 15200 | 10900 | 21040 | 530 | 21000 | 24600 | 18500 | 4800 |
| 211            | 60000   | 13100 | 16300 | 11700 | 23500 | 670 | 25320 | 29200 | 21000 | 5300 |
| 212            | 68000   | 14000 | 17400 | 13400 | 27000 | 780 | 28400 | 33400 | 24000 | 6100 |

## 7. MOUNTING OF FBJ PILLOW BLOCK UNITS

### 7.1 Mounting on Shaft

Table 7.1

**TIGHTENING TORQUE FOR SET SCREW**

| Bearing Number   | Set Screw | Tightening Torque |
|--|-----------|-------------------|
| SB201~SB203<br>SER201~SER203   | M 5X0.8   | 30                |
| SB204~SB207<br>SER204~SER206<br>UC201~UC206<br>(SSUC201~SSUC206)<br>UCX05<br>UC305~UC306 | M 6X1     | 40                |
| SB208<br>SER207~SER209<br>UC207~UC209<br>(SSUC207~SSUC209)<br>UCX06~UCX08<br>UC307       | M 8X1     | 85                |
| SER210~SER212<br>UC210~UC212<br>(SSUC210~SSUC212)<br>UCX09~UCUCX11<br>UC308~UC309        | M 10X1.25 | 175               |
| UC213~UC218<br>UCX12~UCX17<br>UC310~UC314  | N 12X1.5  | 280               |
| UC315~UC316  | M 14X1.5  | 350               |
| UC317~UC319  | M 16X1.5  | 560               |
| UC320  | M 18X1.5  | 620               |



Fig 7.1.1

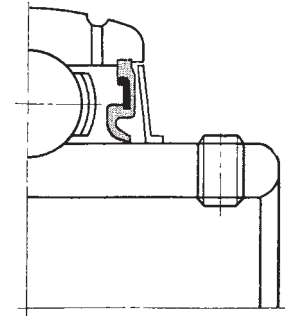


Fig 7.1.2

#### 7.1.1 Set Screw Method

Two knurled cup-point, self locking, socket-head set screws (Fig 7.1.1) fitted at 120° apart in the extended inner ring of the bearing insert.

For standard loads and moderate speeds simply mount the bearing unit into position and tighten down the set screw to the recommended torque value. Additional security can be achieved by spot drilling the shaft to accommodate the set screw point. Using the correct size of socket head wrench tightens the set screw to recommended torque.

A lock washer is provided which prevents the locknut backing off when one of the tabs is engaged with the corresponding notch in the locknut.

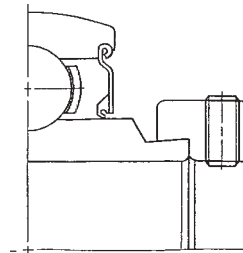


Fig 7.2.1

#### 7.1.2 Eccentric Lock Collar Method

Here, an eccentric diameter formed on the extended inner ring of the bearing which engages a similarly formed eccentric diameter in the bore of a separate collar.

Locking is achieved by turning the collar in the direction of shaft rotation until the eccentric diameters of both collar and inner ring are fully engaged. The collar is provided with a blind hole to facilitate tightening when locking the bearing to the shaft. The set screw when tightened to the recommended torque values prevents the collar backing off in service.

#### 7.1.3 Adapter Sleeve Method

This consists of a standard adapter sleeve, locknut and lock washer.

When fitting the bearing to the shaft, care must be taken to ensure that the locknut is not over tightened as this can reduce or eliminate the required bearing internal clearance, resulting in premature failure.

The proper tightening condition can be obtained, firstly tightening the locknut by hand and then rotating 2/5 to 3/5 revolutions by a spanner.

A lock washer is provided which prevents the lock nut backing off when one of the tabs is engaged with the corresponding notch in the locknut.

**7.2 Shaft Selection**

Standard mounting of cylindrical bore insert bearing to the shaft is loose fit. Still, selection of shaft has to consider the speed of the insert bearing. Below table provide you the dimensional accuracy of your shaft to be made for loose fit, in order to facilitate you smooth running.

Table 7.2.1

| Shaft Dia<br>(mm)    |      | Shaft Tolerance ( m ) |     |                              |     |                             |     |                    |     |
|----------------------|------|-----------------------|-----|------------------------------|-----|-----------------------------|-----|--------------------|-----|
|                      |      | j6                    |     | h6                           |     | h7                          |     | h8                 |     |
| Over                 | incl | Max                   | Min | Max                          | Min | Max                         | Min | Max                | Min |
| 10                   | 18   | + 8                   | - 3 | 0                            | -11 | 0                           | -18 | 0                  | -27 |
| 18                   | 30   | + 9                   | - 4 | 0                            | -13 | 0                           | -21 | 0                  | -33 |
| 30                   | 50   | +11                   | - 5 | 0                            | -16 | 0                           | -25 | 0                  | -39 |
| 50                   | 80   | +12                   | - 7 | 0                            | -19 | 0                           | -30 | 0                  | -46 |
| 80                   | 120  | +13                   | - 9 | 0                            | -22 | 0                           | -35 | 0                  | -54 |
| 120                  | 180  | +14                   | -11 | 0                            | -25 | 0                           | -40 | 0                  | -63 |
| Limit of<br>dn value |      | above 120000          |     | above 100000<br>up to 120000 |     | above 60000<br>up to 100000 |     | 60000 and<br>below |     |

dn value = d (shaft diameter in mm) x n (speed in rpm)

**7.3 Mounting of Housing**

To prevent any damage to the insert bearing due to faulty installation, Housing unit should always be bolted to a base which is to be flat and rigid. The bearing center alignment angle of +3° is required for the mounting base. In case of bearing unit with cover, this angle is restricted to +1°.

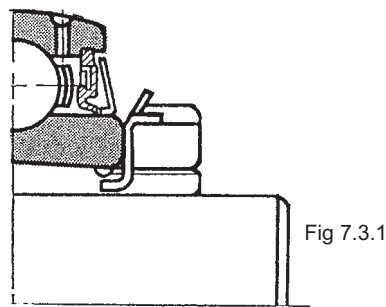


Fig 7.3.1

## TYPE OF FBJ BALL BEARING UNITS AND BEARINGS

### Pillow Blocks

|        |                    |    |
|--------|--------------------|----|
| UCP 2  | (Normal duty)..... | 22 |
| UKP 2  | (Normal duty)      |    |
| NAP 2  | (Normal duty)..... | 23 |
| UCPA 2 | (Normal duty)      |    |
| UCPH 2 | (Normal duty)      |    |
| UCP X  | (Medium duty)..... | 26 |
| UCP 3  | (Heavy duty).....  | 27 |

### Flange Units

|        |                    |    |
|--------|--------------------|----|
| UCF 2  | (Normal duty)..... | 28 |
| UKF 2  | (Normal duty)      |    |
| NAF 2  | (Normal duty)..... | 29 |
| UCFL2  | (Normal duty)      |    |
| UKFL 2 | (Normal duty)      |    |
| NAFL 2 | (Normal duty)      |    |
| UCFA 2 | (Normal duty)      |    |
| UCFB 2 | (Normal duty)      |    |
| UCFC 2 | (Normal duty)      |    |
| UKFC 2 | (Normal duty)      |    |
| NAFC 2 | (Normal duty)      |    |
| UCF X  | (Medium duty)      |    |
| UCFL X | (Medium duty)      |    |
| UCFC X | (Medium duty)      |    |
| UCF 3  | (Heavy duty)       |    |
| UCFS 3 | (Heavy duty)       |    |
| UCFL 3 | (Heavy duty)       |    |

### Hanger Unit

|        |                    |    |
|--------|--------------------|----|
| UCHA 2 | (Normal duty)..... | 43 |
|--------|--------------------|----|

### Cartridge Units

|       |               |  |
|-------|---------------|--|
| UCC2  | (Normal duty) |  |
| UKC 2 | (Normal duty) |  |
| NAC 2 | (Normal duty) |  |
| UCC X | (Medium duty) |  |

### Take Up Units

|       |               |  |
|-------|---------------|--|
| UCT 2 | (Normal duty) |  |
| UKT 2 | (Normal duty) |  |
| NAT 2 | (Normal duty) |  |
| UCT X | (Medium duty) |  |
| UCT 3 | (Heavy duty)  |  |

### Light Duty Types

|        |                   |    |
|--------|-------------------|----|
| SALF 2 | (Light duty)..... | 58 |
| SBLF 2 | (Light duty)..... | 58 |

### Pressed Steel Units

|         |                   |    |
|---------|-------------------|----|
| SAPP 2  | (Light duty)..... | 60 |
| SBPP 2  | (Light duty)..... | 60 |
| SAPF 2  | (Light duty)..... | 61 |
| SBPF 2  | (Light duty)..... | 61 |
| SAPFL 2 | (Light duty)..... | 62 |
| SBPFL 2 | (Light duty)..... | 62 |
| SAPFT 2 | (Light duty)..... | 63 |
| SBPFT 2 | (Light duty)..... | 63 |

### Discharrow Units

ST 2, ST 4, ST 7

### Bearing Inserts

|      |                    |    |
|------|--------------------|----|
| UC 2 | (Normal duty)..... | 64 |
| UK 2 | (Normal duty)      |    |
| NA 2 | (Normal duty)..... | 65 |
| CS 2 | (Light duty).....  | 66 |
| SER  | (Normal duty)..... | 69 |
| UC X | (Medium duty)..... | 70 |
| UC 3 | (Heavy duty).....  | 71 |
| SA 2 | (Light duty).....  | 72 |

# CONVERSION GUIDE

## CONVERSION FORMULAE

### LENGTH

|                                 |                    |
|---------------------------------|--------------------|
| <i>To convert</i>               | <i>Multiply by</i> |
| milli-inches into micrometres   | 25.4               |
| inches into millimetres         | 25.4               |
| inches into centimetres         | 2.54               |
| inches into metres              | 0.0254             |
| feet into millimetres           | 304.8              |
| feet into centimetres           | 30.48              |
| feet into metres                | 0.3048             |
| yards into metres               | 0.9144             |
| fathoms into metres             | 1.8288             |
| chains into metres              | 20.1168            |
| furlongs into metres            | 201.168            |
| miles, statute into kilometres  | 201.168            |
| miles, nautical into kilometres | 1.852              |

### VALUME & CAPACITY

|  |                    |
|--|--------------------|
| <i>To convert</i>                      | <i>Multiply by</i> |
| cubic inches into cubic centimetres    | 16.387064          |
| cubic inches into litres               | 0.016387           |
| cubic feet into cubic metres           | 0.0283168          |
| cubic feet into litres                 | 28.316847          |
| cubic yards into cubic metres          | 0.7645549          |
| UK pints into litres                   | 0.5682613          |
| UK quarts into litres                  | 1.1365225          |
| UK gallons into litres                 | 4.54609            |
| UK gallons into cubic metres           | 0.0045461          |
| UK fluid ounces into cubic centimetres | 28.413063          |

### AREA

|                                       |                    |
|---------------------------------------|--------------------|
| <i>To convert</i>                     | <i>Multiply by</i> |
| square inches into square millimetres | 645.16             |
| square inches into square centimetres | 6.4516             |
| square feet into square centimetres   | 929.0304           |
| square feet into square metres        | 0.092903           |
| square yards into square metres       | 0.836127           |
| square yards into acres               | 0.083613           |
| acres into square metres              | 4046.8564          |
| acres into hectares                   | 0.4046856          |
| square miles into square kilometres   | 2.589988           |

### MASS

|                               |                    |
|-------------------------------|--------------------|
| <i>To convert</i>             | <i>Multiply by</i> |
| grains into milligrams        | 64.79891           |
| grains into metric carats     | 0.323995           |
| grains into grams             | 0.064799           |
| pennyweights into grams       | 1.555174           |
| ounces into grams             | 28.349523          |
| ounces troy into grams        | 31.103477          |
| ounces into kilograms         | 0.0283495          |
| pounds into kilograms         | 0.4535924          |
| stones into kilograms         | 6.3502932          |
| hundredweights into kilograms | 50.802345          |
| tons into kilograms           | 1016.0469          |
| tons into metric tonnes       | 1.01605            |
| tahils into grams             | 37.799             |
| kati into kilograms           | 0.60479            |

### POWER

|   |                    |
|---|--------------------|
| <i>To convert</i>                           | <i>Multiply by</i> |
| foot pounds-force per second into watts     | 1.35582            |
| horsepower into watts                       | 745.7              |
| foot pounds-force per second into kilowatts | 0.001356           |
| horsepower into kilowatts                   | 0.7457             |
| horsepower into metric horsepower           | 1.01387            |

### VELOCITY

|   |                    |
|---|--------------------|
| <i>To convert</i>                           | <i>Multiply by</i> |
| feet per second into centimetres per second | 30.48              |
| feet per second into metres per second      | 0.3048             |
| miles per hour into kilometers per hour     | 1.609344           |

### FORCE

|                           |                    |
|---------------------------|--------------------|
| <i>To convert</i>         | <i>Multiply by</i> |
| pounds force into newtons | 4.44822            |
| poundals into newtons     | 0.138255           |

### TEMPERATURE

|   |   |
|---|---|
| To convert from degrees Fahrenheit to Centigrade:     | To convert from degrees Centigrade to Fahrenheit:     |
| $(X^{\circ} F - 32) \times \frac{5}{9} = Y^{\circ} C$ | $(Y^{\circ} C \times \frac{9}{5}) + 32 = X^{\circ} F$ |

## MOTOTING CONVERSIONS

These Conversion charts indicate relative values. They are intended only as a guide and should not be used to calculate higher values where more than three decimal places would be needed.

### FUEL CONSUMPTION

|           |          |            |         |
|-----------|----------|------------|---------|
| L/100km = | mile/gal | mile/gal = | L/100km |
| 6.0 =     | 47.06    | 10 =       | 28.248  |
| 7.0 =     | 40.34    | 12 =       | 23.540  |
| 8.0 =     | 35.30    | 14 =       | 20.177  |
| 8.5 =     | 33.22    | 16 =       | 17.655  |
| 9.0 =     | 31.38    | 18 =       | 15.693  |
| 9.5 =     | 29.73    | 20 =       | 14.124  |
| 10.0 =    | 28.024   | 22 =       | 12.840  |
| 10.5 =    | 26.90    | 24 =       | 11.710  |
| 11.0 =    | 25.67    | 26 =       | 10.864  |
| 11.5 =    | 24.56    | 28 =       | 10.088  |
| 12.0 =    | 23.53    | 30 =       | 9.416   |
| 12.5 =    | 22.59    | 32 =       | 8.827   |
| 13.0 =    | 21.72    | 34 =       | 8.308   |
| 13.5 =    | 20.92    | 36 =       | 7.846   |
| 14.0 =    | 20.17    | 38 =       | 7.433   |
| 14.5 =    | 19.48    | 40 =       | 7.062   |
| 15.0 =    | 18.83    | 42 =       | 6.726   |
| 16.0 =    | 17.65    | 43 =       | 6.561   |
| 17.0 =    | 16.61    | 44 =       | 6.420   |
| 18.0 =    | 15.69    | 45 =       | 6.279   |
| 19.0 =    | 14.86    | 46 =       | 6.137   |
| 20.0 =    | 14.12    | 47 =       | 5.996   |
| 21.0 =    | 13.44    | 48 =       | 5.855   |
| 22.0 =    | 12.83    | 49 =       | 5.713   |
| 23.0 =    | 12.27    | 50 =       | 5.572   |

### TYRE PRESSURE

|          |        |       |        |
|----------|--------|-------|--------|
| lbf/in = | kPa    | kPa = | lbf/in |
| 25 =     | 172.36 | 155 = | 22.48  |
| 26 =     | 179.26 | 160 = | 23.20  |
| 27 =     | 186.16 | 165 = | 23.93  |
| 28 =     | 193.05 | 170 = | 24.66  |
| 29 =     | 199.95 | 175 = | 25.38  |
| 30 =     | 206.84 | 180 = | 26.11  |
| 31 =     | 213.74 | 185 = | 26.83  |
| 32 =     | 220.63 | 190 = | 27.56  |
| 33 =     | 227.53 | 195 = | 28.28  |
| 34 =     | 234.42 | 200 = | 29.00  |
| 35 =     | 241.31 | 205 = | 29.73  |

### SPEED

|          |        |          |      |
|----------|--------|----------|------|
| km/h =   | mile/h | mile/h = | km/h |
| 5.00 =   | 3.12   | 10 =     | 16   |
| 10.00 =  | 6.25   | 15 =     | 24   |
| 15.00 =  | 9.37   | 20 =     | 32   |
| 20.00 =  | 12.50  | 25 =     | 40   |
| 25.00 =  | 15.62  | 30 =     | 48   |
| 30.00 =  | 18.75  | 35 =     | 56   |
| 35.00 =  | 21.87  | 40 =     | 64   |
| 40.00 =  | 25.00  | 45 =     | 72   |
| 45.00 =  | 28.12  | 50 =     | 80   |
| 50.00 =  | 31.25  | 55 =     | 88   |
| 55.00 =  | 34.37  | 60 =     | 96   |
| 60.00 =  | 37.50  | 65 =     | 104  |
| 65.00 =  | 40.62  | 70 =     | 112  |
| 70.00 =  | 43.75  | 75 =     | 120  |
| 75.00 =  | 46.87  | 80 =     | 128  |
| 80.00 =  | 50.00  | 85 =     | 136  |
| 85.00 =  | 53.12  | 90 =     | 144  |
| 90.00 =  | 56.25  | 95 =     | 152  |
| 95.00 =  | 59.37  | 100 =    | 160  |
| 100.00 = | 62.50  | 105 =    | 168  |
| 105.00 = | 65.62  | 110 =    | 176  |
| 110.00 = | 68.75  | 115 =    | 184  |
| 115.00 = | 71.87  | 120 =    | 192  |
| 120.00 = | 75.00  | 125 =    | 200  |
| 130.00 = | 81.25  | 130 =    | 208  |
| 140.00 = | 87.50  | 135 =    | 216  |
| 150.00 = | 93.75  | 140 =    | 224  |

**IMPERIAL SYSTEM**

**LENGTH**

|                   |   |           |
|-------------------|---|-----------|
| 1000 milli-inches | = | 1 inch    |
| 12 inches         | = | 1 foot    |
| 3 feet            | = | 1 yard    |
| 5.5 yards         | = | 1 rod     |
| 220 yards         | = | 1 furlong |
| 40 rods           | = | 1 furlong |
| 5280 feet         | = | 1 mile    |
| 1760 yards        | = | 1 mile    |
| 8 furlongs        | = | 1 mile    |
| 3 miles           | = | 1 league  |
| 25 links          | = | 1 rod     |
| 100 links         | = | 1 chain   |
| 66 feet           | = | 1 chain   |
| 22 yards          | = | 1 chain   |
| 4 rods            | = | 1 chain   |

**LENGTH (NAUTICAL)**

|                      |   |                 |
|----------------------|---|-----------------|
| 6 feet               | = | 1 fathom        |
| 100 fathoms (approx) | = | 1 cable length  |
| 10 cable lengths     | = | 1 nautical mile |

**AREA**

|             |   |            |
|-------------|---|------------|
| 144 sq ins  | = | 1 sq foot  |
| 9 sq feet   | = | 1 sq yard  |
| 30.25 sq    | = | 1 sq rod   |
| 484 sq yds  | = | 1 sq chain |
| 1210 sq yds | = | 1 rood     |
| 4840 sq yds | = | 1 acre     |
| 160 sq rods | = | 1 acre     |
| 640 acres   | = | 1 sq mile  |

**AVOIRDUPOIS WEIGHT**

|              |   |           |
|--------------|---|-----------|
| 437.5 grains | = | 1 ounce   |
| 16 drams     | = | 1 ounce   |
| 7000 grains  | = | 1 pound   |
| 256 drams    | = | 1 pound   |
| 16 ounces    | = | 1 pound   |
| 14 pounds    | = | 1 stone   |
| 2 stones     | = | 1 quarter |
| 100 pounds   | = | 1 cental  |
| 112 pounds   | = | 1 cwt     |
| 4 quarters   | = | 1 cwt     |
| 35840 ounces | = | 1 ton     |
| 2240 pounds  | = | 1 ton     |
| 20 cwts      | = | 1 ton     |

**APOTHECARIES' WEIGHT**

|           |   |          |
|-----------|---|----------|
| 20 grains | = | 1 scuple |
| 3 scuples | = | 1 dram   |
| 8 drams   | = | 1 ounce  |
| 12 ounces | = | 1 pound  |

*Ounce and pound are the same as in Troy Weight.*

**TROY WEIGHT**

|           |   |         |
|-----------|---|---------|
| 24 grains | = | 1 pwt   |
| 20 pwt    | = | 1 ounce |
| 12 ounces | = | 1 pound |

*Used for weighting gold, silver and jewels.*

**VOLUME**

|              |   |           |
|--------------|---|-----------|
| 1728 cu ins  | = | 1 cu foot |
| 46656 cu ins | = | 1 cu yard |
| 27 cu ins    | = | 1 cu yard |

**CAPACITY**

|                  |   |               |
|------------------|---|---------------|
| 8 fluid drams    | = | 1 fluid ounce |
| 5 fluid ounces   | = | 1 gill        |
| 20 fluid ounces  | = | 1 pint        |
| 4 gills          | = | 1 pint        |
| 40 fluid ounces  | = | 1 quart       |
| 2 pints          | = | 1 quart       |
| 160 fluid ounces | = | 1 gallon      |
| 8 pints          | = | 1 gallon      |
| 4 quarts         | = | 1 gallon      |
| 2 gallons        | = | 1 peck        |
| 4 pecks          | = | 1 bushel      |
| 8 gallons        | = | 1 bushel      |
| 64 gallons       | = | 1 quarter     |
| 31 1/2 gallons   | = | 1 barrel      |
| 2 barrels        | = | 1 hogshead    |

**MARINERS' MEASURE**

|                     |   |                 |
|---------------------|---|-----------------|
| 6 feet              | = | 1 fathom        |
| 120 fathoms         | = | 1 cable length  |
| 7 1/2 cable lengths | = | 1 mile          |
| 5,280.2 feet        | = | 1 statute mile  |
| 6,080.2 feet        | = | 1 nautical mile |

**SURVEYORS' MEASURE**

|                          |   |               |
|--------------------------|---|---------------|
| 7.92 inches              | = | 1 link        |
| 25 links                 | = | 1 rod         |
| 4 rods                   | = | 1 chain       |
| 10 sq chains             | = | 1 acre        |
| or 160 sq rods           |   |               |
| 640 acres                | = | 1 square mile |
| 36 sq miles (6 miles sq) | = | 1 township    |

**METRIC SYSTEM**

**LENGTH**

|                      |   |                               |
|----------------------|---|-------------------------------|
| 1000 picometres      | = | 1 nanometre                   |
| 1000 nanometres      | = | 1 micrometre                  |
| 1000 micrometres     | = | 1 millimetre                  |
| 10 millimetres       | = | 1 centimetre                  |
| 100 millimetres      | = | 1 decimetre                   |
| 10 centimetres       | = | 1 decimetre                   |
| 1000 millimetres     | = | 1 metre                       |
| 100 millimetres      | = | 1 metre                       |
| 10 decimetres        | = | 1 metre                       |
| 100 metres           | = | 1 hectometre                  |
| 1000 metres          | = | 1 kilometre                   |
| 1852 nautical metres | = | 1 international nautical mile |

**AREA**

|                       |   |                 |
|-----------------------|---|-----------------|
| 100 sq millimetres    | = | 1 sq centimetre |
| 100 sq centimetres    | = | 1 sq decimeter  |
| 10 000 sq centimetres | = | 1 sq metre      |
| 100 sq decimetres     | = | 1 sq metre      |
| 10 000 sq metres      | = | 1 hectare       |
| 100 hectares          | = | 1 sq kilometre  |

**MASS**

|                 |   |                |
|-----------------|---|----------------|
| 1000 micrograms | = | 1 milligram    |
| 200 milligrams  | = | 1 metric carat |
| 1000 milligrams | = | 1 gram         |
| 5 metric carats | = | 1 gram         |
| 1000 grams      | = | 1 kilogram     |
| 1000 kilograms  | = | 1 megagram     |
|                 | = | 1 tonne        |

**ENERGY (WORK & HEAT)**

|                  |   |                 |
|------------------|---|-----------------|
| 1000 millijoules | = | 1 joule         |
| 1000 joules      | = | 1 kilojoule     |
| 1000 kilojoules  | = | 1 megajoule     |
| 3.6 megajoules   | = | 1 kilowatt hour |
| 1000 megajoules  | = | 1 gigajoule     |
| 1000 gigajoules  | = | 1 terajoule     |

**TIME**

|                   |   |               |
|-------------------|---|---------------|
| 1000 nanoseconds  | = | 1 microsecond |
| 1000 microseconds | = | 1 millisecond |
| 1000 milliseconds | = | 1 second      |
| 1000 seconds      | = | 1 kilosecond  |

**VELOCITY**

|                          |   |                        |
|--------------------------|---|------------------------|
| 3.6 kilometres per hour  | = | 1 metre per second     |
| 3600 kilometres per hour | = | 1 kilometre per second |

**ELECTRICITY & MAGNETISM**

|                    |   |               |
|--------------------|---|---------------|
| 1000 picoamperes   | = | 1 nanoampere  |
| 1000 nanoamperes   | = | 1 microampere |
| 1000 microamperes  | = | 1 milliampere |
| 1000 milliamperes  | = | 1 ampere      |
| 1000 amperes       | = | 1 kiloampere  |
| 1000 millicoulombs | = | 1 coulomb     |
| 1000 coulombs      | = | 1 kilocoulomb |
| 1000 microvolts    | = | 1 millivolt   |
| 1000 millivolts    | = | 1 volt        |
| 1000 volts         | = | 1 kilovolt    |
| 1000 kilovolts     | = | 1 megavolt    |
| 1000 microhms      | = | 1 milliohm    |
| 1000 milliohms     | = | 1 ohm         |
| 1000 ohms          | = | 1 kilohm      |
| 1000 kilohms       | = | 1 megohm      |
| 1000 megohms       | = | 1 gigohm      |
| 1000 millisiemens  | = | 1 siemen      |
| 1000 millihenrys   | = | 1 henry       |
| 1000 milliteslas   | = | 1 tesla       |

**POWER**

|                 |   |             |
|-----------------|---|-------------|
| 1000 microwatts | = | 1 milliwatt |
| 1000 milliwatts | = | 1 watt      |
| 1000 watts      | = | 1 kilowatt  |
| 1000 kilowatts  | = | 1 megawatt  |
| 1000 megawatts  | = | 1 gigawatt  |
| 1000 gigawatts  | = | 1 terawatt  |

**VOLUME & CAPACITY**

|                     |   |                 |
|---------------------|---|-----------------|
| 1000 cu millimetres | = | 1 cu millimetre |
| 1000 centimetres    | = | 1 cu decimeter  |
| 1000 cu decimeters  | = | 1 cu metre      |
| 1 millilitre        | = | 1 centimetre    |
| 10 millilitres      | = | 1 centilitre    |
| 10 centilitres      | = | 1 decilitre     |
| 1000 millilitres    | = | 1 litre         |
| 100 centilitres     | = | 1 litre         |
| 100 litres          | = | 1 hectolitre    |
| 1000 litres         | = | 1 kilolitre     |
|                     | = | 1 cu metre      |
| 10 hectolitres      | = | 1 kilolitre     |

**PRESSURE AND STRESS**

|                   |   |               |
|-------------------|---|---------------|
| 1000 micropascals | = | 1 millipascal |
| 1000 millipascals | = | 1 pascal      |
| 100 pascals       | = | 1 millibar    |
| 1000 pascals      | = | 1 kilopascal  |
| 10 millibars      | = | 1 kilopascal  |
| 1000 kilopascals  | = | 1 megapascal  |
| 1000 megapascals  | = | 1 gigapascal  |

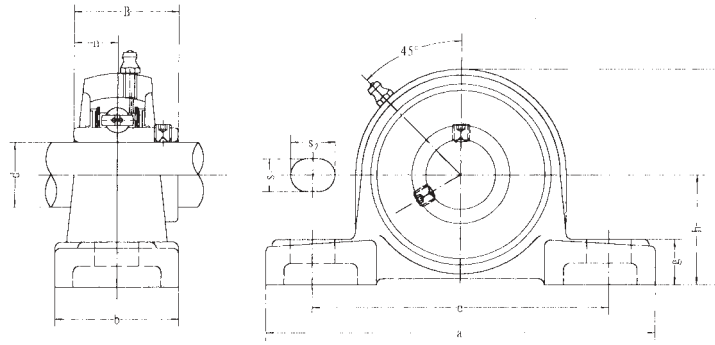
**DENSITY & CONCENTRATION**

|                                  |   |                              |
|----------------------------------|---|------------------------------|
| 1 gram per cu metre              | = | 1 milligram per cu decimetre |
| 1000 milligrams per cu decimetre | = | 1 gram per cu decimetre      |
|                                  | = | 1 kilogram per cu metre      |
| 1000 kilograms per cu metre      | = | 1 tonne per cu metre         |
| per metre                        | = | 1 kilogram per cu decimetre  |

**FORCE**

|                   |   |               |
|-------------------|---|---------------|
| 1000 micronewtons | = | 1 micronewton |
| 1000 millinewtons | = | 1 newton      |
| 1000 newtons      | = | 1 kilonewton  |
| 1000 kilonewtons  | = | 1 meganewton  |



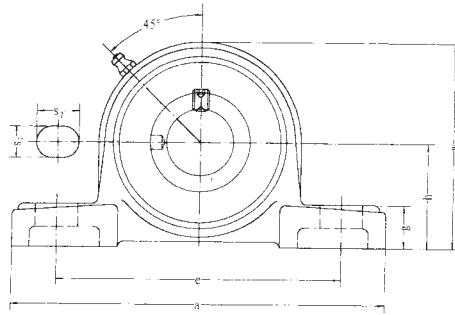


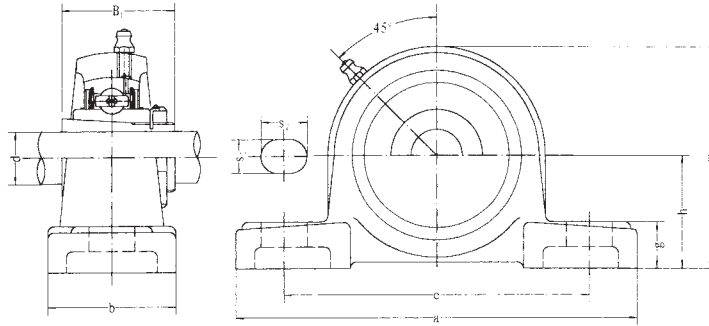
| Unit No.    | Dimensions mm<br>inch |         |          |         |         |                |                |         |         |        |        | Bolt Size<br>mm<br>inch | Bearing No. | Housing No. | Weight<br>(kg) |
|-------------|-----------------------|---------|----------|---------|---------|----------------|----------------|---------|---------|--------|--------|-------------------------|-------------|-------------|----------------|
|             | d                     | h       | a        | e       | b       | S <sub>1</sub> | S <sub>2</sub> | g       | w       | B      | n      |                         |             |             |                |
| *UCP 201    | 12                    | 30.2    | 127      | 95      | 38      | 13             | 19             | 14      | 62      | 31     | 12.7   | M10                     | UC 201      | P203        | 0.69           |
| *UCP 201-8  | 3/4                   | 1-3/16  | 5        | 3-3/4   | 1-1/2   | 1/2            | 3/4            | 9/16    | 2-7/16  | 1.2205 | 0.500  | 3/8                     | UC 201-8    |             | 0.69           |
| *UCP 202    | 15                    | 30.2    | 127      | 95      | 38      | 13             | 19             | 14      | 62      | 31     | 12.7   | M10                     | UC 202      | P203        | 0.69           |
| *UCP 202-9  | 9/16                  | 1-3/16  | 5        | 3-3/4   | 1-1/2   | 1/2            | 3/4            | 9/16    | 2-7/16  | 1.2205 | 0.500  | 3/8                     | UC 202-9    |             | 0.69           |
| *UCP 202-10 | 5/8                   |         |          |         |         |                |                |         |         |        |        |                         | UC 202-10   |             | 0.69           |
| *UCP 203    | 17                    | 30.2    | 127      | 95      | 38      | 13             | 19             | 14      | 62      | 31     | 12.7   | M10                     | UC 203      | P203        | 0.68           |
| *UCP 203-11 | 11/16                 | 1-3/16  | 5        | 3-3/4   | 1-1/2   | 1/2            | 3/4            | 9/16    | 2-7/16  | 1.2205 | 0.500  | 3/8                     | UC 203-11   |             | 0.67           |
| *UCP 204    | 20                    | 33.3    | 127      | 95      | 38      | 13             | 19             | 14      | 65      | 31     | 12.7   | M10                     | UC 204      | P204        | 0.66           |
| *UCP 204-12 | 3/4                   | 1-5/16  | 5        | 3-3/4   | 1-1/2   | 1/2            | 3/4            | 9/16    | 2-9/16  | 1.2205 | 0.500  | 3/8                     | UC 204-12   |             | 0.66           |
| *UCP 205    | 25                    | 36.5    | 140      | 105     | 38      | 13             | 19             | 15      | 71      | 34.1   | 14.3   | M10                     | UC 205      | P205        | 0.81           |
| *UCP 205-13 | 13/16                 |         |          |         |         |                |                |         |         |        |        |                         | UC 205-13   |             | 0.85           |
| *UCP 205-14 | 7/8                   | 1-7/16  | 5-1/2    | 4-1/8   | 1-1/2   | 1/2            | 3/4            | 19/32   | 2-25/32 | 1.3425 | 0.563  | 3/8                     | UC 205-14   |             | 0.83           |
| *UCP 205-15 | 15/16                 |         |          |         |         |                |                |         |         |        |        |                         | UC 205-15   |             | 0.82           |
| *UCP 205-16 | 1                     |         |          |         |         |                |                |         |         |        |        |                         | UC 205-16   |             | 0.81           |
| *UCP 206    | 30                    | 42.9    | 165      | 121     | 48      | 17             | 20             | 17      | 84      | 38.1   | 15.9   | M14                     | UC 206      | P206        | 1.24           |
| *UCP 206-17 | 1-1/16                |         |          |         |         |                |                |         |         |        |        |                         | UC 206-17   |             | 1.27           |
| *UCP 206-18 | 1-1/8                 | 1-11/16 | 6-1/2    | 4-3/4   | 1-7/8   | 43/64          | 25/32          | 21/32   | 3-5/16  | 1.5000 | 0.626  | 1/2                     | UC 206-18   |             | 1.26           |
| *UCP 206-19 | 1-3/16                |         |          |         |         |                |                |         |         |        |        |                         | UC 206-19   |             | 1.24           |
| *UCP 206-20 | 1-1/4                 |         |          |         |         |                |                |         |         |        |        |                         | UC 206-20   |             | 1.23           |
| *UCP 207    | 35                    | 47.6    | 167      | 127     | 48      | 17             | 20             | 18      | 93      | 42.9   | 17.5   | M14                     | UC 207      | P207        | 1.58           |
| *UCP 207-20 | 1-1/4                 |         |          |         |         |                |                |         |         |        |        |                         | UC 207-20   |             | 1.64           |
| *UCP 207-21 | 1-5/16                | 1-7/8   | 6-9/16   | 5       | 1-7/8   | 43/64          | 25/32          | 45/64   | 3-21/32 | 1.6890 | 0.689  | 1/2                     | UC 207-21   |             | 1.61           |
| *UCP 207-22 | 1-3/8                 |         |          |         |         |                |                |         |         |        |        |                         | UC 207-22   |             | 1.58           |
| *UCP 207-23 | 1-7/16                |         |          |         |         |                |                |         |         |        |        |                         | UC 207-23   |             | 1.55           |
| *UCP 208    | 40                    | 49.2    | 184      | 137     | 54      | 17             | 20             | 18      | 100     | 49.2   | 19     | M14                     | UC 208      | P208        | 1.89           |
| *UCP 208-24 | 1-1/2                 | 1-15/16 | 7-1/4    | 5-13/32 | 2-1/8   | 43/64          | 25/32          | 45/64   | 3-15/16 | 1.9370 | 0.748  | 1/2                     | UC 208-24   |             | 1.93           |
| *UCP 208-25 | 1-9/16                |         |          |         |         |                |                |         |         |        |        |                         | UC 208-25   |             | 1.90           |
| *UCP 209    | 45                    | 54.0    | 190      | 146     | 54      | 17             | 20             | 20      | 106     | 49.2   | 19     | M14                     | UC 209      | P209        | 2.14           |
| *UCP 209-26 | 1-5/8                 |         |          |         |         |                |                |         |         |        |        |                         | UC 209-26   |             | 2.24           |
| *UCP 209-27 | 1-11/16               | 2-1/8   | 7-15/32  | 5-3/4   | 2-1/8   | 43/64          | 25/32          | 4-11/64 | 1.9370  | 0.748  | 1/2    | UC 209-27               | 2.20        |             |                |
| *UCP 209-28 | 1-3/4                 |         |          |         |         |                |                |         |         |        |        |                         | UC 209-28   |             | 2.14           |
| *UCP 210    | 50                    | 57.2    | 206      | 159     | 60      | 20             | 23             | 21      | 113     | 51.6   | 19     | M16                     | UC 210      | P210        | 2.66           |
| *UCP 210-29 | 1-13/16               |         |          |         |         |                |                |         |         |        |        |                         | UC 210-29   |             | 2.78           |
| *UCP 210-30 | 1-7/8                 | 2-1/4   | 8-1/8    | 6-1/4   | 2-3/8   | 25/32          | 29/32          | 53/64   | 4-29/64 | 2.0315 | 0.748  | 5/8                     | UC 210-30   |             | 2.73           |
| *UCP 210-31 | 1-15/16               |         |          |         |         |                |                |         |         |        |        |                         | UC 210-31   |             | 2.68           |
| *UCP 210-32 | 2                     |         |          |         |         |                |                |         |         |        |        |                         | UC 210-32   | 2.64        |                |
| *UCP 211    | 55                    | 63.5    | 219      | 171     | 60      | 20             | 23             | 23      | 125     | 55.6   | 22.2   | M16                     | UC 211      | P211        | 3.31           |
| *UCP 211-32 | 2                     |         |          |         |         |                |                |         |         |        |        |                         | UC 211-32   |             | 3.46           |
| *UCP 211-33 | 2-1/16                | 2-1/2   | 8-5/8    | 6-47/64 | 2-3/8   | 25/32          | 29/32          | 29/32   | 4-59/64 | 2.1890 | 0.874  | 5/8                     | UC 211-33   |             | 3.40           |
| *UCP 211-34 | 2-1/8                 |         |          |         |         |                |                |         |         |        |        |                         | UC 211-34   |             | 3.35           |
| *UCP 211-35 | 2-3/16                |         |          |         |         |                |                |         |         |        |        |                         | UC 211-35   |             | 3.29           |
| *UCP 212    | 60                    | 69.8    | 241      | 184     | 70      | 20             | 23             | 25      | 138     | 65.1   | 25.4   | M16                     | UC 212      | P212        | 4.90           |
| *UCP 212-36 | 2-1/4                 |         |          |         |         |                |                |         |         |        |        |                         | UC 212-36   |             | 5.03           |
| *UCP 212-37 | 2-5/16                | 2-3/4   | 9-1/2    | 7-1/4   | 2-3/4   | 25/32          | 29/32          | 63/64   | 5-7/16  | 2.5630 | 1.000  | 5/8                     | UC 212-37   |             | 4.95           |
| *UCP 212-38 | 2-3/8                 |         |          |         |         |                |                |         |         |        |        |                         | UC 212-38   |             | 4.88           |
| *UCP 212-39 | 2-7/16                |         |          |         |         |                |                |         |         |        |        |                         | UC 212-39   |             | 1.81           |
| UCP 213     | 65                    | 76.2    | 265      | 203     | 70      | 25             | 28             | 27      | 150     | 65.1   | 25.4   | M20                     | UC 213      | P213        | 5.15           |
| UCP 213-40  | 2-1/2                 | 3       | 10-7/16  | 8       | 2-3/4   | 63/64          | 1-3/32         | 1-1/16  | 5-29/32 | 2.5630 | 1.000  | 3/4                     | UC 213-40   |             | 5.24           |
| UCP 213-41  | 2-9/16                |         |          |         |         |                |                |         |         |        |        |                         | UC 213-41   |             | 5.15           |
| UCP 214     | 70                    | 79.4    | 266      | 210     | 72      | 25             | 28             | 27      | 156     | 74.6   | 30.2   | M20                     | UC 214      | P214        | 6.20           |
| UCP 214-42  | 2-5/8                 |         |          |         |         |                |                |         |         |        |        |                         | UC 214-42   |             | 6.41           |
| UCP 214-43  | 2-1/16                | 3-1/8   | 10-15/32 | 8-17/64 | 2-27/32 | 63/64          | 1-3/32         | 1-1/16  | 6-9/64  | 2.9370 | 1.189  | 3/4                     | UC 214-43   |             | 6.31           |
| UCP 214-44  | 2-3/4                 |         |          |         |         |                |                |         |         |        |        |                         | UC 214-44   |             | 6.21           |
| UCP 215     | 75                    | 82.6    | 275      | 217     | 74      | 25             | 28             | 28      | 162     | 77.8   | 33.3   | M20                     | UC 215      | P215        | 7.16           |
| UCP 215-45  | 2-13/16               |         |          |         |         |                |                |         |         |        |        |                         | UC 215-45   |             | 7.41           |
| UCP 215-46  | 2-7/8                 | 3-1/4   | 10-53/64 | 8-35/64 | 2-29/32 | 63/64          | 1-3/32         | 1-3/32  | 6-3/8   | 3.0630 | 1.311  | 3/4                     | UC 215-46   |             | 7.30           |
| UCP 215-47  | 2-15/16               |         |          |         |         |                |                |         |         |        |        |                         | UC 215-47   |             | 7.19           |
| UCP 215-48  | 3                     |         |          |         |         |                |                |         |         |        |        |                         | UC 215-48   |             | 7.07           |
| UCP 216     | 80                    | 88.9    | 292      | 232     | 78      | 25             | 28             | 30      | 174     | 82.6   | 33.3   | M20                     | UC 216      | P216        | 8.10           |
| UCP 216-49  | 3-1/16                |         |          |         |         |                |                |         |         |        |        |                         | UC 216-49   |             | 8.28           |
| UCP 216-50  | 3-1/8                 | 3-1/2   | 11-1/2   | 9-1/8   | 3-1/16  | 63/64          | 1-3/32         | 1-3/16  | 6-27/32 | 3.2520 | 1.311  | 3/4                     | UC 216-50   |             | 8.15           |
| UCP 216-51  | 3-3/16                |         |          |         |         |                |                |         |         |        |        |                         | UC 216-51   |             | 8.02           |
| UCP 217     | 85                    | 95.2    | 310      | 247     | 83      | 25             | 28             | 32      | 185     | 85.7   | 34.1   | M20                     | UC 217      | P217        | 9.81           |
| UCP 217-52  | 3-1/4                 |         |          |         |         |                |                |         |         |        |        |                         | UC 217-52   |             | 10.03          |
| UCP 217-53  | 3-5/16                | 3-3/4   | 12-13/64 | 9-23/32 | 3-17/64 | 63/64          | 1-3/32         | 1-1/4   | 7-9/32  | 3.3740 | 1.343  | 3/4                     | UC 217-53   |             | 9.89           |
| UCP 217-55  | 3-7/16                |         |          |         |         |                |                |         |         |        |        |                         | UC 217-55   |             | 9.60           |
| UCP 218     | 90                    | 101.6   | 327      | 262     | 88      | 27             | 30             | 33      | 198     | 96     | 39.7   | M22                     | UC 218      | P218        | 11.96          |
| UCP 218-56  | 3-1/2                 | 4       | 12-7/8   | 10-5/16 | 3-15/32 | 1-1/16         | 1-3/16         | 1-19/64 | 7-51/64 | 3.7795 | 1.5630 | 7/8                     | UC 218-56   |             | 12.07          |

\* Add SP in front of the Unit No for Stainless Steel Bearing with Thermo-Plastic Housing (Eg. SP UCP 205)

Add C as suffix for both side Open cover (Eg. SP UCP 205 C)  
or CD as suffix for one side Open & one side Closed cover (Eg. SP UCP 205 CD)

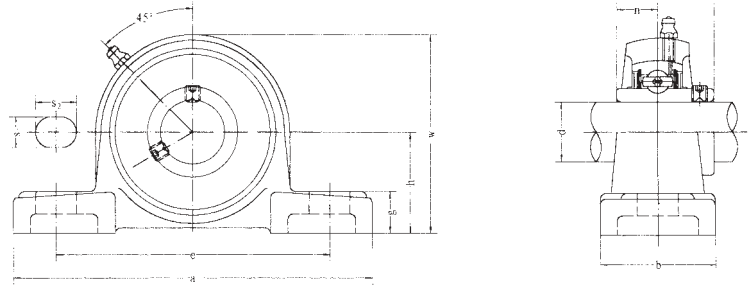
**Pillow Blocks**



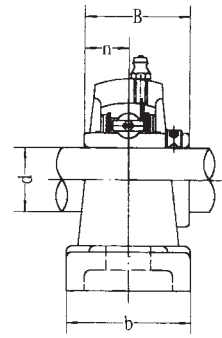
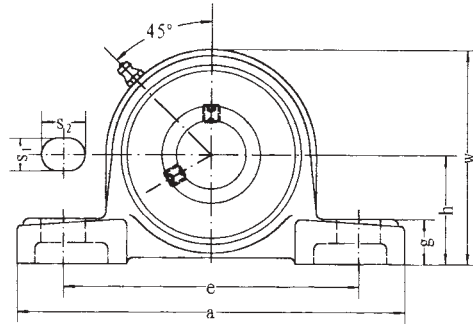


| Unit No. | Dimensions <small>mm<br/>inch</small> |                 |                 |                |               |                |                |               |                |                 |                | Bolt Size<br><small>mm<br/>inch</small> | Bearing No. |                                 | Housing No. | Weight (kg) |
|----------|---------------------------------------|-----------------|-----------------|----------------|---------------|----------------|----------------|---------------|----------------|-----------------|----------------|---|-------------|---------------------------------|-------------|-------------|
|          | d                                     | h               | a               | e              | b             | S <sub>1</sub> | S <sub>2</sub> | g             | w              | t               | B <sub>1</sub> |   |             |                                 |             |             |
| UKP 205  | 20<br>3/4                             | 36.5<br>1-7/16  | 140<br>5-1/2    | 105<br>4-1/8   | 38<br>1-1/2   | 13<br>1/2      | 19<br>3/4      | 15<br>19/32   | 71<br>2-25/32  | 48<br>1-57/64   | 35<br>1.378    | M10<br>3/8                              | UK 205      | H305<br>HE305                   | P 205       | 0.86        |
| UKP 206  | 25<br>7/8<br>1                        | 42.9<br>1-11/16 | 165<br>6-1/2    | 121<br>4-3/4   | 48<br>1-7/8   | 17<br>43/64    | 20<br>25/32    | 17<br>43/64   | 84<br>3-5/16   | 53<br>2-5/64    | 38<br>1.496    | M14<br>1/2                              | UK 206      | H306<br>HS306<br>HE306          | P 206       | 1.28        |
| UKP 207  | 30<br>1-1/8                           | 47.6<br>1-7/8   | 167<br>6-9/16   | 127<br>5       | 48<br>1-7/8   | 17<br>43/64    | 20<br>25/32    | 18<br>45/64   | 93<br>3-21/32  | 59.5<br>2-11/32 | 43<br>1.693    | M14<br>1/2                              | UK 207      | H307<br>HS307                   | P 207       | 1.67        |
| UKP 208  | 35<br>1-1/4<br>1-3/8                  | 49.2<br>1-15/16 | 184<br>7-1/4    | 137<br>5-13/32 | 54<br>2-1/8   | 17<br>43/64    | 20<br>25/32    | 18<br>45/64   | 100<br>3-15/16 | 69<br>2-23/32   | 46<br>1.811    | M14<br>1/2                              | UK 208      | H308<br>HE308<br>HS308          | P 208       | 1.99        |
| UKP 209  | 40<br>1-7/16<br>1-1/2<br>1-5/8        | 54.0<br>2-1/8   | 190<br>7-15/32  | 146<br>5-3/4   | 54<br>2-1/8   | 17<br>43/64    | 20<br>25/32    | 20<br>25/32   | 106<br>4-11/64 | 69<br>2-23/32   | 50<br>1.969    | M14<br>1/2                              | UK 209      | H309<br>HA309<br>HE309<br>HS309 | P 209       | 1.29        |
| UKP 210  | 45<br>1-5/8<br>1-11/16<br>1-3/4       | 57.2<br>2-1/4   | 206<br>8-1/8    | 159<br>6-1/4   | 60<br>2-3/8   | 20<br>25/32    | 23<br>29/32    | 21<br>53/64   | 113<br>4-29/64 | 74.5<br>2-15/16 | 55<br>2.165    | M16<br>5/8                              | UK 210      | H310<br>HS310<br>HA310<br>HE310 | P 210       | 2.83        |
| UKP 211  | 50<br>1-7/8<br>1-15/16<br>2           | 63.5<br>2-1/2   | 219<br>8-5/8    | 171<br>6-47/64 | 60<br>2-3/8   | 20<br>25/32    | 23<br>29/32    | 23<br>29/32   | 125<br>4-59/64 | 76<br>3         | 59<br>2.323    | M16<br>5/8                              | UK 211      | H311<br>HS311<br>H3A11<br>HE311 | P 211       | 3.46        |
| UKP 212  | 55<br>2-1/8                           | 69.8<br>2-3/4   | 241<br>9-1/2    | 184<br>7-1/4   | 70<br>2-3/4   | 20<br>25/32    | 23<br>29/32    | 25<br>63/64   | 138<br>5-7/16  | 89<br>3-1/2     | 62<br>2.441    | M16<br>5/8                              | UK 212      | H312<br>HS312                   | P 212       | 4.95        |
| UKP 213  | 60<br>2-3/16<br>2-1/4<br>2-3/8        | 76.2<br>3       | 265<br>10-7/16  | 203<br>8       | 70<br>2-3/4   | 25<br>63/64    | 28<br>1-3/32   | 27<br>1-1/16  | 150<br>5-29/32 | 89<br>3-1/2     | 65<br>2.559    | M20<br>3/4                              | UK 213      | H313<br>HA313<br>HE313<br>HS313 | P 213       | 5.06        |
| UKP 215  | 65<br>2-7/16<br>2-1/2                 | 82.6<br>3-1/4   | 275<br>10-53/64 | 217<br>8-35/64 | 74<br>2-29/32 | 25<br>63/64    | 28<br>1-3/32   | 28<br>1-3/32  | 162<br>6-3/8   |                 | 73<br>2.874    | M20<br>3/4                              | UK 215      | H315<br>HA315<br>HE315          | P 215       | 7.27        |
| UKP 216  | 70<br>2-11/16<br>2-3/4                | 88.9<br>3-1/2   | 292<br>11-1/2   | 232<br>9-1/8   | 78<br>3-1/16  | 25<br>63/64    | 28<br>1-3/32   | 30<br>1-3/16  | 174<br>6-27/32 |                 | 78<br>3.071    | M20<br>3/4                              | UK 216      | H316<br>HA316<br>HE316          | P 216       | 8.36        |
| UKP 217  | 75<br>2-15/16<br>3                    | 95.2<br>3-3/4   | 310<br>12-13/64 | 247<br>9-23/32 | 83<br>3-17/64 | 25<br>63/64    | 28<br>1-3/32   | 32<br>1-1/4   | 185<br>7-9/32  |                 | 82<br>3.228    | M20<br>3/4                              | UK 217      | H317<br>HA317<br>HE317          | P 217       | 10.23       |
| UKP 218  | 80<br>3-3/16                          | 101.6<br>4      | 327<br>12-7/8   | 262<br>10-5/16 | 88<br>3-15/32 | 27<br>1-1/16   | 30<br>1-3/16   | 33<br>1-19/64 | 198<br>7-51/64 |                 | 86<br>3.386    | M22<br>7/8                              | UK 218      | H318<br>HA318                   | P 218       | 12.34       |

Pillow Blocks

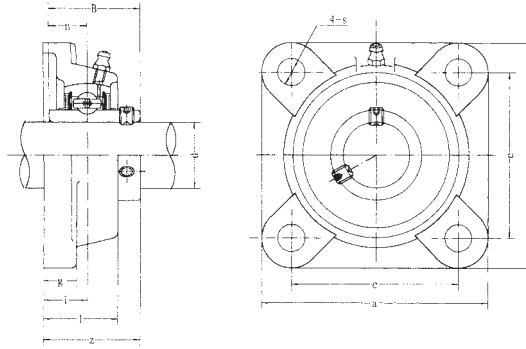


| Unit No.   | Dimensions <sup>mm</sup> / <sub>inch</sub> |        |        |         |        |                |                |        |         |        |       | Bolt Size <sup>mm</sup> / <sub>inch</sub> | Bearing No. | Housing No. | Weight (kg) |
|------------|--|--------|--------|---------|--------|----------------|----------------|--------|---------|--------|-------|---|-------------|-------------|-------------|
|            | d  | h      | a      | e       | b      | S <sub>1</sub> | S <sub>2</sub> | g      | w       | B      | n     |   |             |             |             |
| UCPX 05    | 25   | 44.4   | 159    | 119     | 51     | 17             | 20             | 18     | 85      | 38.1   | 15.9  | M14                                       | UCX 05      | PX05        | 1.5         |
| UCPX 05-13 | 13/16                                      |        |        |         |        |                |                |        |         |        |       |   | UCX 05-13   |             |             |
| UCPX 05-14 | 7/8  | 1-3/4  | 6-1/4  | 4-11/16 | 2      | 43/64          | 25/32          | 23/32  | 3-11/32 | 1.5000 | 0.626 | 1/2                                       | UCX 05-14   |             |             |
| UCPX 05-15 | 15/16                                      |        |        |         |        |                |                |        |         |        |       |   | UCX 05-15   |             |             |
| UCPX 05-16 | 1  |        |        |         |        |                |                |        |         |        |       |   | UCX 05-16   |             |             |
| UCPX 06    | 30   | 47.6   | 175    | 127     | 57     | 17             | 20             | 20     | 93      | 42.9   | 17.5  | M14                                       | UCX 06      | PX06        | 2.0         |
| UCPX 06-17 | 1-1/16                                     |        |        |         |        |                |                |        |         |        |       |   | UCX 06-17   |             |             |
| UCPX 06-18 | 1-1/8                                      | 1-7/8  | 6-7/8  | 5       | 2-1/4  | 43/64          | 25/32          | 25/32  | 3-21/32 | 1.6890 | 0.689 | 1/2                                       | UCX 06-18   |             |             |
| UCPX 06-19 | 1-3/16                                     |        |        |         |        |                |                |        |         |        |       |   | UCX 06-19   |             |             |
| UCPX 06-20 | 1-1/4                                      |        |        |         |        |                |                |        |         |        |       |   | UCX 06-20   |             |             |
| UCPX 07    | 35   | 54.0   | 203    | 144     | 57     | 17             | 20             | 21     | 105     | 49.2   | 19    | M14                                       | UCX 07      | PX07        | 2.6         |
| UCPX 07-21 | 1-5/16                                     |        |        |         |        |                |                |        |         |        |       |   | UCX 07-21   |             |             |
| UCPX 07-22 | 1-3/8                                      | 2-1/8  | 8      | 5-21/32 | 2-1/4  | 43/64          | 25/32          | 13/16  | 4-1/8   | 1.9370 | 0.748 | 1/2                                       | UCX 07-22   |             |             |
| UCPX 07-23 | 1-7/16                                     |        |        |         |        |                |                |        |         |        |       |   | UCX 07-23   |             |             |
| UCPX 08    | 40   | 58.7   | 222    | 156     | 67     | 20             | 23             | 26     | 111     | 49.2   | 19    | M16                                       | UCX 08      | PX08        | 3.3         |
| UCPX 08-24 | 1-1/2                                      | 2-5/16 | 8-3/4  | 6-5/32  | 2-5/8  | 25/32          | 29/32          | 1-1/32 | 4-3/8   | 1.9370 | 0.748 | 5/8                                       | UCX 08-24   |             |             |
| UCPX 08-25 | 1-9/16                                     |        |        |         |        |                |                |        |         |        |       |   | UCX 08-25   |             |             |
| UCPX 09    | 45   | 58.7   | 222    | 156     | 67     | 20             | 23             | 26     | 116     | 51.6   | 19    | M16                                       | UCX 09      | PX09        | 3.3         |
| UCPX 09-26 | 1-5/8                                      |        |        |         |        |                |                |        |         |        |       |   | UCX 09-26   |             |             |
| UCPX 09-27 | 1-11/16                                    | 2-5/16 | 8-3/4  | 6-5/32  | 2-5/8  | 25/32          | 29/32          | 1-1/32 | 4-9/16  | 2.0315 | 0.748 | 5/8                                       | UCX 09-27   |             |             |
| UCPX 09-28 | 1-3/4                                      |        |        |         |        |                |                |        |         |        |       |   | UCX 09-28   |             |             |
| UCPX 09-29 | 1-13/16                                    |        |        |         |        |                |                |        |         |        |       |   | UCX 09-29   |             |             |
| UCPX 10    | 50   | 63.5   | 241    | 171     | 73     | 20             | 23             | 27     | 126     | 55.6   | 22.2  | M16                                       | UCX 10      | PX10        | 4.3         |
| UCPX 10-30 | 1-7/8                                      |        |        |         |        |                |                |        |         |        |       |   | UCX 10-30   |             |             |
| UCPX 10-31 | 1-15/16                                    | 2-1/2  | 9-1/2  | 6-47/64 | 2-7/8  | 25/32          | 29/32          | 1-1/16 | 4-31/32 | 2.1890 | 0.874 | 5/8                                       | UCX 10-31   |             |             |
| UCPX 10-32 | 2  |        |        |         |        |                |                |        |         |        |       |   | UCX 10-32   |             |             |
| UCP 211    | 55   | 69.8   | 260    | 184     | 79     | 25             | 28             | 30     | 137     | 65.1   | 25.4  | M20                                       | UCX 11      | PX11        | 5.7         |
| UCP 211-33 | 2-1/16                                     |        |        |         |        |                |                |        |         |        |       |   | UCX 11-33   |             |             |
| UCP 211-34 | 2-1/8                                      |        |        |         |        |                |                |        |         |        |       |   | UCX 11-34   |             |             |
| UCP 211-35 | 2-3/16                                     | 2-3/4  | 10-1/4 | 7-1/4   | 3-1/8  | 31/32          | 1-3/32         | 1-3/16 | 5-31/32 | 2.5630 | 1.000 | 3/4                                       | UCX 11-35   |             |             |
| UCP 211-36 | 2-1/4                                      |        |        |         |        |                |                |        |         |        |       |   | UC 211-36   |             |             |
| UCP 211-37 | 2-5/16                                     |        |        |         |        |                |                |        |         |        |       |   | UC 211-37   |             |             |
| UCPX 12    | 60   | 76.2   | 286    | 203     | 8.3    | 25             | 28             | 33     | 151     | 65.1   | 25.4  | M20                                       | UCX 12      | PX12        | 7.3         |
| UCPX12-38  | 2-3/8                                      | 3      | 11-1/4 | 8       | 3-9/32 | 31/32          | 1-3/32         | 1-5/16 | 5-15/16 | 2.5630 | 1.000 | 3/4                                       | UCX 12-38   |             |             |
| UCPX12-39  | 2-7/16                                     |        |        |         |        |                |                |        |         |        |       |   | UCX 12-39   |             |             |
| UCPX 13    | 65   | 76.2   | 286    | 203     | 8.3    | 25             | 28             | 33     | 154     | 74.6   | 30.2  | M20                                       | UCX 13      | PX13        | 7.6         |
| UCPX 13-40 | 2-1/2                                      | 3      | 11-1/4 | 8       | 3-9/32 | 63/64          | 1-3/32         | 1-5/16 | 6-1/16  | 2.9370 | 1.189 | 3/4                                       | UCX 13-40   |             |             |
| UCPX 13-41 | 2-9/16                                     |        |        |         |        |                |                |        |         |        |       |   | UCX 13-41   |             |             |
| UCPX 14    | 70   | 88.9   | 33.0   | 229     | 89     | 27             | 30             | 35     | 170     | 77.8   | 33.3  | M22                                       | UCX 14      | PX14        | 9.9         |
| UCPX 14-42 | 2-5/8                                      |        |        |         |        |                |                |        |         |        |       |   | UCX 14-42   |             |             |
| UCPX 14-43 | 2-11/16                                    | 3-1/2  | 13     | 9-1/32  | 3-1/2  | 1-1/16         | 1-3/16         | 1-3/8  | 6-11/16 | 3.0630 | 1.311 | 7/8                                       | UCX 14-43   |             |             |
| UCPX 14-44 | 2-3/4                                      |        |        |         |        |                |                |        |         |        |       |   | UCX 14-44   |             |             |
| UCPX 15    | 75   | 88.9   | 330    | 229     | 89     | 27             | 30             | 35     | 175     | 82.6   | 33.3  | M22                                       | UCX 15      | PX15        | 11          |
| UCPX 15-45 | 2-13/16                                    |        |        |         |        |                |                |        |         |        |       |   | UCX 15-45   |             |             |
| UCPX 15-46 | 2-7/8                                      | 3-1/2  | 13     | 9-1/32  | 3-1/2  | 1-1/16         | 1-3/16         | 1-3/8  | 6-7/8   | 3.2520 | 1.311 | 7/8                                       | UCX 15-46   |             |             |
| UCPX 15-47 | 2-15/16                                    |        |        |         |        |                |                |        |         |        |       |   | UCX 15-47   |             |             |
| UCPX 15-48 | 3  |        |        |         |        |                |                |        |         |        |       |   | UCX 15-48   |             |             |
| UCPX 16    | 80   | 101.6  | 381    | 283     | 102    | 27             | 30             | 40     | 194     | 85.7   | 34.1  | M22                                       | UCX 16      | PX16        | 15          |
| UCPX 16-49 | 3-1/16                                     |        |        |         |        |                |                |        |         |        |       |   | UCX 16-49   |             |             |
| UCPX 16-50 | 3-1/8                                      | 4      | 15     | 11-5/32 | 4-1/32 | 1-1/16         | 1-3/16         | 1-9/16 | 7-5/8   | 3.3740 | 1.343 | 7/8                                       | UCX 16-50   |             |             |
| UCPX 16-51 | 3-3/16                                     |        |        |         |        |                |                |        |         |        |       |   | UCX 16-51   |             |             |
| UCPX 16-52 | 3-1/4                                      |        |        |         |        |                |                |        |         |        |       |   | UCX 16-52   |             |             |
| UCPX 17    | 85   | 101.6  | 381    | 283     | 102    | 27             | 30             | 40     | 200     | 96     | 39.7  | M22                                       | UCX 17      | PX17        | 16          |
| UCPX 17-53 | 3-5/16                                     | 4      | 15     | 11-5/32 | 4-1/32 | 1-1/16         | 1-3/16         | 1-9/16 | 7-7/8   | 3.7795 | 1.563 | 7/8                                       | UCX 17-53   |             |             |
| UCPX 17-55 | 3-7/16                                     |        |        |         |        |                |                |        |         |        |       |   | UCX 17-55   |             |             |



| Unit No.   | Dimensions <small>mm<br/>inch</small> |         |          |          |         |         |         |         |         |        |         | Bolt Size<br><small>mm<br/>inch</small> | Bearing No. | Housing No. | Weight<br>(kg) |
|------------|---------------------------------------|---------|----------|----------|---------|---------|---------|---------|---------|--------|---------|---|-------------|-------------|----------------|
|            | d                                     | h       | a        | e        | b       | S1      | S2      | g       | w       | B      | n       |   |             |             |                |
| UCP 305    | 25                                    | 45      | 175      | 132      | 45      | 17      | 20      | 15      | 85      | 38     | 38      | M14                                     | UC 305      | P305        | 1.4            |
| UCP 305-13 | 13/16                                 | 1.49/64 | 6-7/8    | 5-3/16   | 1.25/32 | 43/64   | 25/32   | 19/32   | 3-11/32 | 1.4961 | 0.591   | 1/2                                     | UC 305-13   |             |                |
| UCP 305-14 | 7/8                                   |         |          |          |         |         |         |         |         |        |         |   | UC 305-14   |             |                |
| UCP 305-15 | 15/16                                 |         |          |          |         |         |         |         |         |        |         |   | UC 305-15   |             |                |
| UCP 305-16 | 1                                     |         |          |          |         |         |         |         |         |        |         |   | UC 305-16   |             |                |
| UCP 306    | 30                                    | 50      | 180      | 140      | 50      | 17      | 20      | 18      | 95      | 43     | 17      | M14                                     | UC 306      | P306        | 1.8            |
| UCP 306-17 | 1-1/16                                |         |          |          |         |         |         |         |         |        |         |   | UC 306-17   |             |                |
| UCP 306-18 | 1-1/8                                 | 1-31/32 | 7-3/32   | 5-1/2    | 1-31/32 | 43/64   | 25/32   | 23/32   | 3-3/4   | 1.6929 | 0.669   | 1/2                                     | UC 306-18   |             |                |
| UCP 306-19 | 1-3/16                                |         |          |          |         |         |         |         |         |        |         |   | UC 306-19   |             |                |
| UCP 307    | 35                                    | 56      | 210      | 160      | 56      | 17      | 25      | 20      | 106     | 48     | 19      | M14                                     | UC 307      | P307        | 2.8            |
| UCP 307-20 | 1-1/4                                 |         |          |          |         |         |         |         |         |        |         |   | UC 307-20   |             |                |
| UCP 307-21 | 1-5/16                                |         |          |          |         |         |         |         |         |        |         |   | UC 307-21   |             |                |
| UCP 307-22 | 1-3/8                                 | 1-13/64 | 8-9/32   | 6-5/16   | 2-13/64 | 43/64   | 31/32   | 25/32   | 4-3/16  | 1.8898 | 1.748   | 1/2                                     | UC 307-22   |             |                |
| UCP 307-23 | 1-7/16                                |         |          |          |         |         |         |         |         |        |         |   | UC 307-23   |             |                |
| UCP 308    | 40                                    | 60      | 220      | 170      | 60      | 17      | 27      | 22      | 116     | 52     | 19      | M14                                     | UC 308      | P308        | 3.0            |
| UCP 308-24 | 1-1/2                                 | 2-23/64 | 8-21/32  | 6-11/16  | 2-3/8   | 43/64   | 1-11/16 | 7/8     | 4-9/16  | 2.0472 | 0.748   | 1/2                                     | UC 308-24   |             |                |
| UCP 308-25 | 1-9/16                                |         |          |          |         |         |         |         |         |        |         |   | UC 308-25   |             |                |
| UCP 309    | 45                                    | 67      | 245      | 190      | 67      | 20      | 30      | 24      | 129     | 57     | 22      | M16                                     | UC 309      |             |                |
| UCP 309-26 | 1-5/8                                 |         |          |          |         |         |         |         |         |        |         |   | UC 309-26   |             |                |
| UCP 309-27 | 1-11/16                               | 2-41/64 | 9-21/32  | 7-15/32  | 2-5/8   | 25/32   | 1-3/16  | 15/16   | 5-3/32  | 2.2441 | 0.866   | 5/8                                     | UC 309-27   |             |                |
| UCP 309-28 | 1-3/4                                 |         |          |          |         |         |         |         |         |        |         |   | UC 309-28   |             |                |
| UCP 310    | 50                                    | 75      | 275      | 212      | 75      | 20      | 35      | 27      | 143     | 61     | 22      | M16                                     | UC 310      | P310        | 5.8            |
| UCP 310-29 | 1-13/16                               |         |          |          |         |         |         |         |         |        |         |   | UC 310-29   |             |                |
| UCP 310-30 | 1-7/8                                 | 2-61/64 | 10-13/16 | 8-11/32  | 2-15/16 | 25/32   | 1-3/8   | 1-1/16  | 5-5/8   | 2.4016 | 0.866   | 5/8                                     | UC 310-30   |             |                |
| UCP 310-31 | 1-15/16                               |         |          |          |         |         |         |         |         |        |         |   | UC 310-31   |             |                |
| UCP 311    | 55                                    | 80      | 310      | 236      | 80      | 20      | 38      | 30      | 154     | 66     | 25      | M16                                     | UC 311      | P311        | 7.4            |
| UCP 311-32 | 2                                     |         |          |          |         |         |         |         |         |        |         |   | UC 311-32   |             |                |
| UCP 311-33 | 2-1/16                                |         |          |          |         |         |         |         |         |        |         |   | UC 311-33   |             |                |
| UCP 311-34 | 2-1/8                                 | 3-5/32  | 12-7/32  | 9-9/32   | 3-5/32  | 25/32   | 1-1/2   | 1-9/16  | 6-1/16  | 2.5984 | 0.984   | 5/8                                     | UC 311-34   |             |                |
| UCP 311-35 | 2-3/16                                |         |          |          |         |         |         |         |         |        |         |   | UC 311-35   |             |                |
| UCP 312    | 60                                    | 85      | 330      | 250      | 85      | 25      | 38      | 32      | 165     | 71     | 26      | M20                                     | UC 312      | P312        | 9.4            |
| UCP 312-36 | 2-1/4                                 |         |          |          |         |         |         |         |         |        |         |   | UC 312-36   |             |                |
| UCP 312-37 | 2-5/16                                |         |          |          |         |         |         |         |         |        |         |   | UC 312-37   |             |                |
| UCP 312-38 | 2-3/8                                 | 3-11/32 | 13       | 9-17/32  | 3-11/32 | 31/32   | 1-1/2   | 1-1/4   | 6-1/2   | 2.7953 | 1.024   | 3/4                                     | UC 312-38   |             |                |
| UCP 312-39 | 2-7/16                                |         |          |          |         |         |         |         |         |        |         |   | UC 312-39   |             |                |
| UCP 313    | 65                                    | 90      | 340      | 260      | 90      | 25      | 38      | 33      | 176     | 75     | 30      | M20                                     | UC 313      | P313        | 10             |
| UCP 313-40 | 2-1/2                                 | 3-35/64 | 13-3/8   | 10-1/4   | 3-17/32 | 31/32   | 1-1/2   | 1-5/16  | 6-15/16 | 2.9528 | 1.181   | 3/4                                     | UC 313-40   |             |                |
| UCP 313-41 | 2-9/16                                |         |          |          |         |         |         |         |         |        |         |   | UC 313-41   |             |                |
| UCP 314    | 70                                    | 95      | 360      | 280      | 90      | 27      | 40      | 35      | 187     | 78     | 33      | M22                                     | UC 314      |             |                |
| UCP 314-42 | 2-5/8                                 |         |          |          |         |         |         |         |         |        |         |   | UC 314-42   |             |                |
| UCP 314-43 | 2-11/16                               | 3-47/64 | 14-3/16  | 11-1/32  | 3-17/32 | 1-1/16  | 1-9/16  | 1-3/8   | 7-3/8   | 3.0708 | 1.299   | 7/8                                     | UC 314-43   |             |                |
| UCP 314-44 | 2-3/4                                 |         |          |          |         |         |         |         |         |        |         |   | UC 314-44   |             |                |
| UCP 315    | 75                                    | 100     | 380      | 290      | 100     | 27      | 40      | 35      | 198     | 82     | 32      | M22                                     | UC 315      | P315        | 14             |
| UCP 315-45 | 2-13/16                               |         |          |          |         |         |         |         |         |        |         |   | UC 315-45   |             |                |
| UCP 315-46 | 2-7/8                                 |         |          |          |         |         |         |         |         |        |         |   | UC 315-46   |             |                |
| UCP 315-47 | 2-15/16                               | 3-15/16 | 14-31/32 | 11-13/32 | 3-15/16 | 1-1/16  | 1-9/16  | 1-3/8   | 7-25/32 | 3.2283 | 1.250   | 7/8                                     | UC 315-47   |             |                |
| UCP 315-48 | 3                                     |         |          |          |         |         |         |         |         |        |         |   | UC 315-48   |             |                |
| UCP 316    | 80                                    | 106     | 400      | 300      | 110     | 27      | 40      | 40      | 210     | 86     | 34      | M22                                     | UC 316      | P316        | 18             |
| UCP 316-49 | 3-1/16                                |         |          |          |         |         |         |         |         |        |         |   | UC 316-49   |             |                |
| UCP 316-50 | 3-1/8                                 | 4-11/64 | 15-3/4   | 11-13/16 | 4-11/32 | 1-1/16  | 1-9/16  | 1-9/16  | 8-9/32  | 3.3858 | 1.339   | 7/8                                     | UC 316-50   |             |                |
| UCP 316-51 | 3-3/16                                |         |          |          |         |         |         |         |         |        |         |   | UC 316-51   |             |                |
| UCP 317    | 85                                    | 112     | 420      | 320      | 110     | 33      | 45      | 40      | 220     | 96     | 40      | M27                                     | UC 317      | P317        | 20             |
| UCP 317-52 | 3-1/4                                 |         |          |          |         |         |         |         |         |        |         |   | UC 317-52   |             |                |
| UCP 317-53 | 3-5/16                                | 4-13/32 | 16-17/32 | 12-19/32 | 4-11/32 | 1-5/16  | 1-25/32 | 1-9/16  | 8-21/32 | 3.7795 | 1.575   | 1                                       | UC 317-53   |             |                |
| UCP 317-55 | 3-7/16                                |         |          |          |         |         |         |         |         |        |         |   | UC 317-55   |             |                |
| UCP 318    | 90                                    | 118     | 430      | 330      | 110     | 33      | 45      | 45      | 235     | 96     | 40      | M27                                     | UC 318      | P318        | 24             |
| UCP 318-55 | 3-7/16                                | 4-41/64 | 16-15/16 | 13       | 4-11/32 | 1-5/16  | 1-25/32 | 1-25/32 | 9-1/4   | 3.7795 | 1.575   | 1                                       | UC 318-55   |             |                |
| UCP 318-56 | 3-1/2                                 |         |          |          |         |         |         |         |         |        |         |   | UC 318-56   |             |                |
| UCP 319    | 95                                    | 125     | 470      | 360      | 120     | 36      | 50      | 45      | 250     | 103    | 41      | M30                                     | UC 319      | P319        | 29             |
| UCP 319-58 | 3-5/8                                 |         |          |          |         |         |         |         |         |        |         |   | UC 319-58   |             |                |
| UCP 319-59 | 3-11/16                               | 4-59/64 | 18-1/2   | 14-3/16  | 4-23/32 | 1-13/32 | 1-31/32 | 1-25/32 | 9-27/32 | 4.0551 | 1.614   | 1-1/8                                   | UC 319-59   |             |                |
| UCP 319-60 | 3-3/4                                 |         |          |          |         |         |         |         |         |        |         |   | UC 319-60   |             |                |
| UCP 320    | 100                                   | 140     | 490      | 380      | 120     | 36      | 50      | 46      | 273     | 108    | 42      | M30                                     | UC 320      | P320        | 35.1           |
| UCP 320-64 | 4                                     | 5-29/32 | 19-9/32  | 14-31/32 | 4-23/32 | 1-13/32 | 1-31/32 | 1-13/16 | 10-3/4  | 4-1/4  | 1-21/32 | 1-1/8                                   | UC 320-64   |             |                |

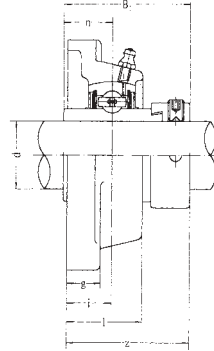
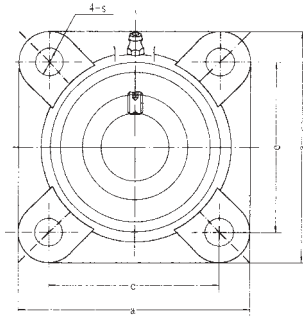
# Flange Units (Square)



| Unit No.    | Dimensions <sup>mm</sup> / <sub>inch</sub> |         |         |         |       |                |                |         |        |        | Bolt Size <sup>mm</sup> / <sub>inch</sub> | Bearing No. | Housing No. | Weight (kg) |
|-------------|--|---------|---------|---------|-------|----------------|----------------|---------|--------|--------|---|-------------|-------------|-------------|
|             | d  | h       | a       | e       | b     | S <sub>1</sub> | S <sub>2</sub> | g       | B      | n      |   |             |             |             |
| *UCF 201    | 12   | 86      | 64      | 15      | 12    | 25.5           | 12             | 33.3    | 31     | 12.7   | M10                                       | UC 201      | F204        | 0.60        |
| *UCF 201-8  | 3/4  | 3-3/8   | 2-33/64 | 19/32   | 15/32 | 1              | 15/32          | 1-5/16  | 1.2205 | 0.500  | 3/8                                       | UC 201-8    |             | 0.59        |
| *UCF 202    | 15   | 86      | 64      | 15      | 12    | 25.5           | 12             | 33.3    | 31     | 12.7   | M10                                       | UC 202      | F204        | 0.59        |
| *UCF 202-9  | 9/16                                       | 3-3/8   | 2-33/64 | 19/32   | 15/32 | 1              | 15/32          | 1-5/16  | 1.2205 | 0.500  | 3/8                                       | UC 202-9    |             | 0.59        |
| *UCF 202-10 | 5/8  |         |         |         |       |                |                |         |        |        |   | UC 202-10   |             | 0.59        |
| *UCF 203    | 17   | 86      | 64      | 15      | 12    | 25.5           | 12             | 33.3    | 31     | 12.7   | M10                                       | UC 203      | F204        | 0.58        |
| *UCF 203-11 | 11/16                                      | 3-3/8   | 2-33/64 | 19/32   | 15/32 | 1              | 15/32          | 1-5/16  | 1.2205 | 0.500  | 3/8                                       | UC 203-11   |             | 0.57        |
| *UCF 204    | 20   | 86      | 64      | 15      | 12    | 25.5           | 12             | 33.3    | 31     | 12.7   | M10                                       | UC 204      | F204        | 0.56        |
| *UCF 204-12 | 3/4  | 3-3/8   | 2-33/64 | 19/32   | 15/32 | 1              | 15/32          | 1-5/16  | 1.2205 | 0.500  | 3/8                                       | UC 204-12   |             | 0.56        |
| *UCF 205    | 25   | 95      | 70      | 16      | 14    | 27             | 12             | 35.8    | 34.1   | 14.3   | M10                                       | UC 205      |             | 0.80        |
| *UCF 205-13 | 13/16                                      |         |         |         |       |                |                |         |        |        |   | UC 205-13   |             | 0.84        |
| *UCF 205-14 | 7/8  | 3-3/4   | 2-3/4   | 5/8     | 35/64 | 1-1/16         | 15/32          | 1-13/32 | 1.3425 | 0.563  | 3/8                                       | UC 205-14   | F205        | 0.83        |
| *UCF 205-15 | 15/16                                      |         |         |         |       |                |                |         |        |        |   | UC 205-15   |             | 0.81        |
| *UCF 205-16 | 1  |         |         |         |       |                |                |         |        |        |   | UC 205-16   |             | 0.80        |
| *UCF 206    | 30   | 108     | 83      | 18      | 14    | 31             | 12             | 40.2    | 38.1   | 15.9   | M10                                       | UC 206      |             | 1.12        |
| *UCF 206-17 | 1-1/16                                     |         |         |         |       |                |                |         |        |        |   | UC 206-17   |             | 1.15        |
| *UCF 206-18 | 1-1/8                                      |         |         |         |       |                |                |         |        |        |   | UC 206-18   | F206        | 1.14        |
| *UCF 206-19 | 1-3/16                                     | 4-1/4   | 3-17/64 | 45/64   | 35/64 | 1-7/32         | 15/32          | 1-19/32 | 1.5000 | 0.626  | 3/8                                       | UC 206-19   |             | 1.12        |
| *UCF 206-20 | 1-1/4                                      |         |         |         |       |                |                |         |        |        |   | UC 206-20   |             | 1.11        |
| *UCF 207    | 35   | 117     | 92      | 19      | 16    | 34             | 14             | 44.4    | 42.9   | 17.5   | M12                                       | UC 207      |             | 1.46        |
| *UCF 207-20 | 1-1/4                                      |         |         |         |       |                |                |         |        |        |   | UC 207-20   |             | 1.52        |
| *UCF 207-21 | 1-5/16                                     |         |         |         |       |                |                |         |        |        |   | UF 207-21   | F207        | 1.49        |
| *UCF 207-22 | 1-3/8                                      | 4-39/64 | 3-5/8   | 3/4     | 5/8   | 1-11/32        | 35/64          | 1-3/4   | 1.6890 | 0.689  | 7/16                                      | UC 207-22   |             | 1.46        |
| *UCF 207-23 | 1-7/16                                     |         |         |         |       |                |                |         |        |        |   | UC 207-23   |             | 1.43        |
| *UCF 208    | 40   | 130     | 102     | 21      | 16    | 36             | 16             | 51.2    | 49.2   | 19     | M14                                       | UC 208      |             | 1.84        |
| *UCF 208-24 | 1-1/12                                     | 5-1/8   | 4-1/64  | 53/64   | 5/8   | 1-27/64        | 5/8            | 2-1/64  | 1.9370 | 0.748  | 1/2                                       | UC 208-24   | F208        | 1.88        |
| *UCF 208-25 | 1-9/16                                     |         |         |         |       |                |                |         |        |        |   | UC 208-25   |             | 1.85        |
| *UCF 209    | 45   | 137     | 105     | 22      | 18    | 38             | 16             | 52.2    | 49.2   | 19     | M14                                       | UC 209      |             | 2.15        |
| *UCF 209-26 | 1-5/8                                      |         |         |         |       |                |                |         |        |        |   | UC 209-26   |             | 2.25        |
| *UCF 209-27 | 1-11/16                                    | 5-13/32 | 4-9/64  | 55/64   | 23/32 | 1-1/2          | 5/8            | 2-1/16  | 1.9370 | 0.748  | 1/2                                       | UC 209-27   | F209        | 2.21        |
| *UCF 209-28 | 1-3/4                                      |         |         |         |       |                |                |         |        |        |   | UC 209-28   |             | 2.17        |
| *UCF 210    | 50   | 14.3    | 111     | 22      | 18    | 40             | 16             | 54.6    | 51.6   | 19     | M14                                       | UC 210      |             | 2.42        |
| *UCF 210-29 | 1-13/16                                    |         |         |         |       |                |                |         |        |        |   | UC 210-29   |             | 2.54        |
| *UCF 210-30 | 1-7/8                                      |         |         |         |       |                |                |         |        |        |   | UC 210-30   | F210        | 2.49        |
| *UCF 210-31 | 1-15/16                                    | 5-5/8   | 4-3/8   | 55/64   | 23/32 | 1-9/16         | 5/8            | 2-5/32  | 2.0315 | 0.748  | 1/2                                       | UC 210-31   |             | 2.44        |
| *UCF 210-32 | 2  |         |         |         |       |                |                |         |        |        |   | UC 210-32   |             | 2.40        |
| *UCF 211    | 55   | 162     | 130     | 25      | 20    | 43             | 19             | 58.4    | 55.6   | 22.2   | M16                                       | UC 211      |             | 3.31        |
| *UCF 211-32 | 2  |         |         |         |       |                |                |         |        |        |   | UC 211-32   |             | 3.46        |
| *UCF 211-33 | 2-1/16                                     |         |         |         |       |                |                |         |        |        |   | UC 211-33   | F211        | 3.40        |
| *UCF 211-34 | 2-1/8                                      | 6-3/8   | 5-1/8   | 63/64   | 25/32 | 1-11/16        | 3/4            | 1-5/16  | 2.1890 | 0.874  | 5/8                                       | UC 211-34   |             | 3.35        |
| *UCF 211-35 | 2-3/16                                     |         |         |         |       |                |                |         |        |        |   | UC 211-35   |             | 3.29        |
| UCF 212     | 60   | 175     | 143     | 29      | 20    | 48             | 19             | 68.7    | 65.1   | 25.4   | M16                                       | UC 212      |             | 4.28        |
| UCF 212-36  | 2-1/4                                      |         |         |         |       |                |                |         |        |        |   | UC 212-36   |             | 4.41        |
| UCF 212-37  | 2-5/16                                     | 6-57/64 | 5-5/8   | 1-9/64  | 25/32 | 1-57/64        | 3/4            | 2-45/64 | 2.5630 | 1.000  | 5/8                                       | UC 212-37   | F212        | 4.33        |
| UCF 212-38  | 2-3/8                                      |         |         |         |       |                |                |         |        |        |   | UC 212-38   |             | 4.26        |
| UCF 212-39  | 2-7/16                                     |         |         |         |       |                |                |         |        |        |   | UC 212-39   |             | 4.19        |
| UCF 213     | 65   | 187     | 149     | 30      | 22    | 50             | 19             | 69.7    | 65.1   | 25.4   | M16                                       | UC 213      |             | 4.99        |
| UCF 213-40  | 2-1/2                                      | 7-23/64 | 5-55/64 | 1-3/16  | 55/64 | 1-31/32        | 3/4            | 2-3/4   | 2.5630 | 1.000  | 5/8                                       | UC 213-40   | F213        | 5.08        |
| UCF 213-41  | 2-9/16                                     |         |         |         |       |                |                |         |        |        |   | UC 213-41   |             | 4.99        |
| UCF 214     | 70   | 193     | 152     | 31      | 22    | 54             | 19             | 75.4    | 74.6   | 30.2   | M16                                       | UC 214      |             | 5.85        |
| UCF 214-42  | 2-5/8                                      |         |         |         |       |                |                |         |        |        |   | UC 214-42   |             | 6.06        |
| UCF 214-43  | 2-11/16                                    | 7-19/32 | 5-63/64 | 1-7/32  | 55/64 | 2-1/8          | 3/4            | 2-31/32 | 2.9370 | 1.189  | 5/8                                       | UC 214-43   | F214        | 5.96        |
| UCF 214-44  | 2-3/4                                      |         |         |         |       |                |                |         |        |        |   | UC 214-44   |             | 5.86        |
| UCF 215     | 75   | 200     | 159     | 34      | 22    | 56             | 19             | 78.5    | 77.8   | 33.3   | M16                                       | UC 215      |             | 6.91        |
| UCF 215-45  | 2-13/16                                    |         |         |         |       |                |                |         |        |        |   | UC 215-45   |             | 7.16        |
| UCF 215-46  | 2-7/8                                      | 7-7/8   | 6-17/64 | 1-11/32 | 55/64 | 2-7/32         | 3/4            | 3-3/32  | 3.0630 | 1.311  | 5/8                                       | UC 215-46   | F215        | 7.05        |
| UCF 215-47  | 2-15/16                                    |         |         |         |       |                |                |         |        |        |   | UC 215-47   |             | 6.94        |
| UCF 215-48  | 3  |         |         |         |       |                |                |         |        |        |   | UC 215-48   |             | 6.82        |
| UCF 216     | 80   | 208     | 165     | 34      | 22    | 58             | 23             | 83.3    | 82.6   | 33.3   | M20                                       | UC 216      |             | 7.50        |
| UCF 216-49  | 3-1/8                                      |         |         |         |       |                |                |         |        |        |   | UC 216-49   |             | 7.68        |
| UCF 216-50  | 3-1/8                                      | 8-3/16  | 6-1/2   | 1-11/32 | 55/64 | 2-9/32         | 29/32          | 3-9/32  | 3.2520 | 1.311  | 3/4                                       | UC 216-50   | F216        | 7.55        |
| UCF 216-51  | 3-3/16                                     |         |         |         |       |                |                |         |        |        |   | UC 216-51   |             | 7.42        |
| UCF 217     | 85   | 220     | 175     | 36      | 24    | 63             | 23             | 87.6    | 85.7   | 34.1   | M20                                       | UC 217      |             | 9.66        |
| UCF 217-52  | 3-1/4                                      |         |         |         |       |                |                |         |        |        |   | UC 217-52   |             | 9.88        |
| UCF 217-53  | 3-9/16                                     | 8-21/23 | 6-57/64 | 1-27/64 | 15/16 | 2-15/32        | 29/32          | 3-7/16  | 3.3740 | 1.343  | 3/4                                       | UC 217-53   | F217        | 9.74        |
| UCF 217-55  | 3-7/16                                     |         |         |         |       |                |                |         |        |        |   | UC 217-55   |             | 9.45        |
| UCF 218     | 90   | 235     | 187     | 40      | 24    | 68             | 23             | 96.3    | 96     | 39.7   | M20                                       | UC 218      |             | 12.06       |
| UCF 218-56  | 3-1/2                                      | 9-1/4   | 7-23/64 | 1-37/64 | 15/16 | 2-11/16        | 29/32          | 3-25/32 | 3.7795 | 1.5630 | 3/4                                       | UC 218-56   | F218        | 12.17       |

\* Add SP in front of the Unit No for Stainless Steel Bearing with Thermo-Plastic Housing (Eg. SP UCP 205)

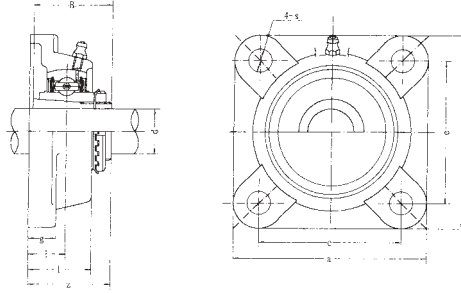
Add C as suffix for both side Open cover (Eg. SP UCP 205 C)  
or CD as suffix for one side Open & one side Closed cover (Eg. SP UCP 205 CD)



| Unit No.   | Dimensions <sup>mm</sup> / <sub>inch</sub> |         |         |         |       |                |                |         |       |       | Bolt Size <sup>mm</sup> / <sub>inch</sub> | Bearing No. | Housing No. | Weight (kg) |
|------------|--|---------|---------|---------|-------|----------------|----------------|---------|-------|-------|---|-------------|-------------|-------------|
|            | d  | h       | a       | e       | b     | S <sub>1</sub> | S <sub>2</sub> | g       | B     | n     |   |             |             |             |
| NAF 204    | 20   | 86      | 64      | 15      | 12    | 25.5           | 12             | 41.6    | 43.7  | 17.1  | M10                                       | NA 204      | F204        | 0.63        |
| NAF 204-12 | 3/4  | 3-3/8   | 2-33/64 | 19/32   | 15/32 | 1              | 15/32          | 1-41/64 | 1.720 | 0.673 | 3/8                                       | NA 204-12   |             | 0.63        |
| NAF 205    | 25   | 95      | 70      | 16      | 14    | 27             | 12             | 42.9    | 44.4  | 17.5  | M10                                       | NA 205      | F205        | 0.87        |
| NAF 205-13 | 13/16                                      |         |         |         |       |                |                |         |       |       |   | NA 205-13   |             | 0.92        |
| NAF 205-14 | 7/8  | 3-3/4   | 2-3/4   | 5/8     | 35/64 | 1-1/16         | 15/32          | 1-11/16 | 1.748 | 0.689 | 3/8                                       | NA 205-14   |             | 0.91        |
| NAF 205-15 | 15/16                                      |         |         |         |       |                |                |         |       |       |   | NA 205-15   |             | 0.89        |
| NAF 205-16 | 1  |         |         |         |       |                |                |         |       |       |   | NA 205-16   |             | 0.87        |
| NAF 206    | 30   | 108     | 83      | 18      | 14    | 31             | 12             | 48.1    | 48.4  | 18.3  | M10                                       | NA 206      |             | F206        |
| NAF 206-17 | 1-1/16                                     |         |         |         |       |                |                |         |       |       |   | NA 206-17   | 1.30        |             |
| NAF 206-18 | 1-1/8                                      | 4-1/4   | 3-17/64 | 45/64   | 35/64 | 1-7/32         | 15/32          | 1-57/64 | 1.906 | 0.720 | 3/8                                       | NA 206-18   | 1.27        |             |
| NAF 206-19 | 1-3/16                                     |         |         |         |       |                |                |         |       |       |   | NA 206-19   | 1.25        |             |
| NAF 206-20 | 1-1/4                                      |         |         |         |       |                |                |         |       |       |   | NA 206-20   | 1.24        |             |
| NAF 207    | 35   | 117     | 92      | 19      | 16    | 34             | 14             | 51.3    | 51.1  | 18.8  | M12                                       | NA 207      | F207        | 1.58        |
| NAF 207-20 | 1-1/4                                      |         |         |         |       |                |                |         |       |       |   | NA 207-20   |             | 1.65        |
| NAF 207-21 | 1-5/16                                     | 4-39/64 | 3-5/8   | 3/4     | 5/8   | 1-11/32        | 35/64          | 2-1/64  | 2.012 | 0.740 | 7/16                                      | NA 207-21   |             | 1.61        |
| NAF 207-22 | 1-3/8                                      |         |         |         |       |                |                |         |       |       |   | NA 207-22   |             | 1.58        |
| NAF 207-23 | 1-7/16                                     |         |         |         |       |                |                |         |       |       |   | NA 208-23   |             | 1.55        |
| NAF 208    | 40   | 130     | 102     | 21      | 16    | 36             | 16             | 55.9    | 56.3  | 21.4  | M14                                       | NA 208      | F208        | 1.99        |
| NAF 208-24 | 1-1/2                                      | 5-1/8   | 4-1/64  | 53/64   | 5/8   | 1-27/32        | 5/8            | 2-13/64 | 2.217 | 0.843 | 1/2                                       | NA 208-24   |             | 2.04        |
| NAF 208-25 | 1-9/16                                     |         |         |         |       |                |                |         |       |       |   | NA 208-25   |             | 2.00        |
| NAF 209    | 45   | 137     | 105     | 22      | 18    | 38             | 16             | 56.9    | 56.3  | 21.4  | M14                                       | NA 209      |             | F209        |
| NAF 209-26 | 1-5/8                                      |         |         |         |       |                |                |         |       |       |   | NA 209-26   | 2.43        |             |
| NAF 209-27 | 1-11/16                                    | 5-13/32 | 4-9/64  | 55/64   | 55/64 | 1-1/2          | 5/8            | 2-15/64 | 2.217 | 0.843 | 1/2                                       | NA 209-27   | 2.38        |             |
| NAF 209-28 | 1-3/4                                      |         |         |         |       |                |                |         |       |       |   | NA 209-28   | 2.34        |             |
| NAF 210    | 50   | 143     | 111     | 22      | 18    | 40             | 16             | 60.1    | 62.7  | 24.6  | M14                                       | NA 210      | F210        |             |
| NAF 210-29 | 1-13/16                                    |         |         |         |       |                |                |         |       |       |   | NA 210-29   |             | 2.76        |
| NAF 210-30 | 1-7/8                                      | 5-5/8   | 4-3/8   | 55/64   | 23/32 | 1-9/16         | 5/8            | 2-3/8   | 2.469 | 0.969 | 1/2                                       | NA 210-30   |             | 2.70        |
| NAF 210-31 | 1-15/16                                    |         |         |         |       |                |                |         |       |       |   | NA 210-31   |             | 2.64        |
| NAF 210-32 | 2  |         |         |         |       |                |                |         |       |       |   | NA 210-32   |             | 2.58        |
| NAF 211    | 55   | 162     | 130     | 25      | 20    | 43             | 19             | 68.6    | 71.4  | 27.8  | M16                                       | NA 211      | F211        | 3.52        |
| NAF 211-32 | 2  |         |         |         |       |                |                |         |       |       |   | NC 211-32   |             | 3.72        |
| NAF 211-33 | 2-1/16                                     | 6-3/8   | 5-1/8   | 63/64   | 25/32 | 1-11/16        | 3/4            | 2-45/64 | 2.811 | 1.094 | 5/8                                       | NA 211-33   |             | 3.64        |
| NAF 211-34 | 2-1/8                                      |         |         |         |       |                |                |         |       |       |   | NA 211-34   |             | 3.57        |
| NAF 211-35 | 2-3/16                                     |         |         |         |       |                |                |         |       |       |   | NA 211-35   |             | 3.49        |
| NAF 212    | 60   | 175     | 143     | 29      | 20    | 48             | 19             | 75.8    | 77.8  | 31    | M16                                       | NA 212      | F212        | 4.62        |
| NAF 212-36 | 2-1/4                                      |         |         |         |       |                |                |         |       |       |   | NA 212-36   |             | 4.78        |
| NAF 212-37 | 2-5/16                                     | 6-57/64 | 5-5/8   | 1-9/64  | 25/32 | 1-57/64        | 3/4            | 2-63/64 | 3.063 | 1.200 | 5/8                                       | NA 212-37   |             | 4.69        |
| NAF 212-38 | 2-3/8                                      |         |         |         |       |                |                |         |       |       |   | NA 212-38   |             | 4.64        |
| NAF 212-39 | 2-7/16                                     |         |         |         |       |                |                |         |       |       |   | NA 212-39   |             | 4.51        |
| NAF 213    | 65   | 187     | 149     | 30      | 22    | 50             | 19             | 81.6    | 85.7  | 34.1  | M16                                       | NA 213      | F213        | 5.55        |
| NAF 213-40 | 2-1/2                                      | 7-23/64 | 5-55/64 | 1-3/16  | 55/64 | 1-31/32        | 3/4            | 3-7/32  | 3.374 | 1.343 | 5/8                                       | NA 213-40   |             | 5.65        |
| NAF 213-41 | 2-9/16                                     |         |         |         |       |                |                |         |       |       |   | NA 213-41   |             | 5.54        |
| NAF 214    | 70   | 193     | 152     | 31      | 22    | 54             | 19             | 82.6    | 86.7  | 34.1  | M16                                       | NA 214      | F214        | 6.35        |
| NAF 214-42 | 2-3/8                                      |         |         |         |       |                |                |         |       |       |   | NA 214-42   |             | 6.59        |
| NAF 214-43 | 2-11/16                                    | 7-19/32 | 5-63/64 | 1-7/32  | 55/64 | 2-1/8          | 3/4            | 3-1/4   | 3.374 | 1.343 | 5/8                                       | NA 214.43   |             | 6.48        |
| NAF 214-44 | 2-3/4                                      |         |         |         |       |                |                |         |       |       |   | NA 214-44   |             | 6.36        |
| NAF 215    | 75   | 200     | 159     | 34      | 22    | 56             | 19             | 88.8    | 92.1  | 37.3  | M16                                       | NA 215      | F215        | 7.54        |
| NAF 215-45 | 2-13/16                                    |         |         |         |       |                |                |         |       |       |   | NA 215-45   |             | 7.84        |
| NAF 215-46 | 2-7/8                                      | 7-7/8   | 6-17/64 | 1-11/32 | 55/64 | 2-7/32         | 3/4            | 3-1/2   | 3.626 | 1.426 | 5/8                                       | NA 215-46   |             | 7.71        |
| NAF 215-47 | 2-15/16                                    |         |         |         |       |                |                |         |       |       |   | NA 215-47   |             | 7.58        |
| NAF 215-48 | 3  |         |         |         |       |                |                |         |       |       |   | NA 215-48   |             | 7.44        |

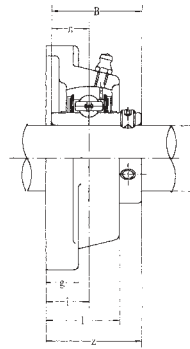
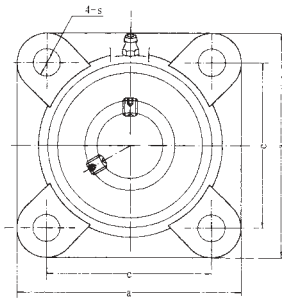
**Flange Units (Square)**  
(Adapter mounted)

**UKF 2 (normal-duty)**



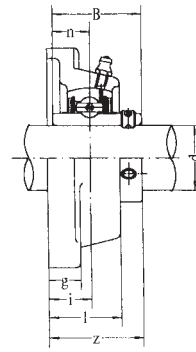
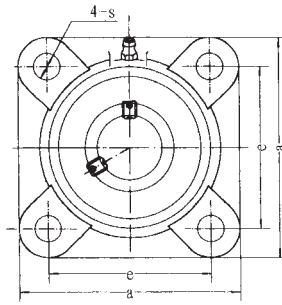
| Unit No. | Dimensions <sup>mm</sup> / <sub>inch</sub>   |  |  |  |                               |  |                               |  |                | Bolt Size <sup>mm</sup> / <sub>inch</sub> | Bearing No. | No.                             | Housing No. | Weight (kg) |
|----------|--|--|--|--|-------------------------------|--|-------------------------------|--|----------------|---|-------------|---------------------------------|-------------|-------------|
|          | d  | a  | e  | i  | g                             | l  | s                             | z  | B <sub>1</sub> |   |             |                                 |             |             |
| UKF 205  | 20   | 95   | 70   | 16   | 14                            | 27   | 12                            | 35.5   | 35             | M10                                       | UK 205      | H305<br>HE305                   | F205        | 0.85        |
|          | <sup>3</sup> / <sub>4</sub>                  | <sup>3</sup> - <sup>3</sup> / <sub>4</sub>   | <sup>2</sup> - <sup>3</sup> / <sub>4</sub>   | <sup>5</sup> / <sub>8</sub>                  | <sup>35</sup> / <sub>64</sub> | <sup>1</sup> - <sup>1</sup> / <sub>6</sub>   | <sup>15</sup> / <sub>32</sub> | <sup>1</sup> - <sup>25</sup> / <sub>64</sub> | 1.378          | <sup>3</sup> / <sub>8</sub>               |             |                                 |             |             |
| UKF 206  | 25   | 108  | 83   | 18   | 14                            | 31   | 12                            | 39   | 38             | M10                                       | UK 206      | H306<br>HS306<br>HE306          | F206        | 1.16        |
|          | <sup>7</sup> / <sub>8</sub>                  | <sup>4</sup> - <sup>1</sup> / <sub>4</sub>   | <sup>3</sup> - <sup>17</sup> / <sub>64</sub> | <sup>45</sup> / <sub>64</sub>                | <sup>35</sup> / <sub>64</sub> | <sup>1</sup> - <sup>7</sup> / <sub>32</sub>  | <sup>15</sup> / <sub>32</sub> | <sup>1</sup> - <sup>17</sup> / <sub>32</sub> | 1.496          | <sup>3</sup> / <sub>8</sub>               |             |                                 |             |             |
|          | 1  |  |  |  |                               |  |                               |  |                |   |             |                                 |             |             |
| UKF 207  | 30   | 117  | 92   | 19   | 16                            | 34   | 14                            | 42.5   | 43             | M12                                       | UK 207      | H307<br>HS307                   | F207        | 1.55        |
|          | <sup>1</sup> - <sup>1</sup> / <sub>8</sub>   | <sup>4</sup> - <sup>39</sup> / <sub>64</sub> | <sup>3</sup> - <sup>5</sup> / <sub>8</sub>   | <sup>3</sup> / <sub>4</sub>                  | <sup>5</sup> / <sub>8</sub>   | <sup>1</sup> - <sup>11</sup> / <sub>32</sub> | <sup>35</sup> / <sub>64</sub> | <sup>1</sup> - <sup>43</sup> / <sub>65</sub> | 1.693          | <sup>7</sup> / <sub>16</sub>              |             |                                 |             |             |
| UKF 208  | 35   | 130  | 102  | 21   | 16                            | 36   | 16                            | 46.5   | 46             | M14                                       | UK 208      | H308<br>HE308<br>HS308          | F208        | 1.94        |
|          | <sup>1</sup> - <sup>1</sup> / <sub>4</sub>   | <sup>5</sup> - <sup>1</sup> / <sub>8</sub>   | <sup>4</sup> - <sup>1</sup> / <sub>64</sub>  | <sup>53</sup> / <sub>64</sub>                | <sup>5</sup> / <sub>8</sub>   | <sup>1</sup> - <sup>27</sup> / <sub>64</sub> | <sup>5</sup> / <sub>8</sub>   | <sup>1</sup> - <sup>53</sup> / <sub>64</sub> | 1.811          | <sup>1</sup> / <sub>2</sub>               |             |                                 |             |             |
|          | <sup>1</sup> - <sup>3</sup> / <sub>8</sub>   |  |  |  |                               |  |                               |  |                |   |             |                                 |             |             |
| UKF 209  | 40   | 137  | 105  | 22   | 18                            | 38   | 16                            | 48.5   | 50             | M14                                       | UK 209      | H309<br>HA309<br>HE309<br>HS309 | F209        | 2.30        |
|          | <sup>1</sup> - <sup>7</sup> / <sub>16</sub>  | <sup>5</sup> - <sup>13</sup> / <sub>32</sub> | <sup>4</sup> - <sup>9</sup> / <sub>64</sub>  | <sup>55</sup> / <sub>64</sub>                | <sup>23</sup> / <sub>32</sub> | <sup>1</sup> - <sup>1</sup> / <sub>2</sub>   | <sup>5</sup> / <sub>8</sub>   | <sup>1</sup> - <sup>29</sup> / <sub>32</sub> | 1.969          | <sup>1</sup> / <sub>2</sub>               |             |                                 |             |             |
|          | <sup>1</sup> - <sup>1</sup> / <sub>2</sub>   |  |  |  |                               |  |                               |  |                |   |             |                                 |             |             |
|          | <sup>1</sup> - <sup>5</sup> / <sub>8</sub>   |  |  |  |                               |  |                               |  |                |   |             |                                 |             |             |
| UKF 210  | 45   | 143  | 111  | 22   | 18                            | 40   | 16                            | 50   | 55             | M14                                       | UK 210      | H310<br>HA310<br>HE310<br>HS310 | F210        | 2.59        |
|          | <sup>1</sup> - <sup>5</sup> / <sub>8</sub>   | <sup>5</sup> - <sup>5</sup> / <sub>8</sub>   | <sup>4</sup> - <sup>3</sup> / <sub>8</sub>   | <sup>55</sup> / <sub>64</sub>                | <sup>23</sup> / <sub>32</sub> | <sup>1</sup> - <sup>9</sup> / <sub>16</sub>  | <sup>5</sup> / <sub>8</sub>   | <sup>1</sup> - <sup>31</sup> / <sub>32</sub> | 2.165          | <sup>1</sup> / <sub>2</sub>               |             |                                 |             |             |
|          | <sup>1</sup> - <sup>11</sup> / <sub>16</sub> |  |  |  |                               |  |                               |  |                |   |             |                                 |             |             |
|          | <sup>1</sup> - <sup>3</sup> / <sub>4</sub>   |  |  |  |                               |  |                               |  |                |   |             |                                 |             |             |
| UKF 211  | 50   | 162  | 130  | 25   | 20                            | 43   | 19                            | 54.5   | 59             | M16                                       | UK 211      | H311<br>HA311<br>HE311<br>HS311 | F211        | 3.46        |
|          | <sup>1</sup> - <sup>7</sup> / <sub>8</sub>   | <sup>6</sup> - <sup>3</sup> / <sub>8</sub>   | <sup>5</sup> - <sup>1</sup> / <sub>8</sub>   | <sup>63</sup> / <sub>64</sub>                | <sup>25</sup> / <sub>32</sub> | <sup>1</sup> - <sup>11</sup> / <sub>16</sub> | <sup>3</sup> / <sub>4</sub>   | <sup>2</sup> - <sup>9</sup> / <sub>64</sub>  | 2.323          | <sup>5</sup> / <sub>8</sub>               |             |                                 |             |             |
|          | <sup>1</sup> - <sup>15</sup> / <sub>16</sub> |  |  |  |                               |  |                               |  |                |   |             |                                 |             |             |
| UKF 212  | 55   | 175  | 143  | 29   | 20                            | 48   | 19                            | 61   | 62             | M16                                       | UK 212      | H312<br>HS312                   | F212        | 4.33        |
|          | <sup>2</sup> - <sup>1</sup> / <sub>8</sub>   | <sup>6</sup> - <sup>57</sup> / <sub>64</sub> | <sup>5</sup> - <sup>5</sup> / <sub>8</sub>   | <sup>1</sup> - <sup>9</sup> / <sub>64</sub>  | <sup>25</sup> / <sub>32</sub> | <sup>1</sup> - <sup>57</sup> / <sub>64</sub> | <sup>3</sup> / <sub>4</sub>   | <sup>2</sup> - <sup>13</sup> / <sub>32</sub> | 2.441          | <sup>5</sup> / <sub>8</sub>               |             |                                 |             |             |
| UKF 213  | 60   | 187  | 149  | 30   | 22                            | 50   | 19                            | 64   | 65             | M16                                       | UK 213      | H313<br>HA313<br>HE313<br>HS313 | F213        | 4.90        |
|          | <sup>2</sup> - <sup>3</sup> / <sub>16</sub>  | <sup>7</sup> - <sup>23</sup> / <sub>64</sub> | <sup>5</sup> - <sup>55</sup> / <sub>64</sub> | <sup>1</sup> - <sup>3</sup> / <sub>16</sub>  | <sup>55</sup> / <sub>64</sub> | <sup>1</sup> - <sup>31</sup> / <sub>32</sub> | <sup>3</sup> / <sub>4</sub>   | <sup>2</sup> - <sup>33</sup> / <sub>64</sub> | 2.559          | <sup>5</sup> / <sub>8</sub>               |             |                                 |             |             |
|          | <sup>2</sup> - <sup>1</sup> / <sub>4</sub>   |  |  |  |                               |  |                               |  |                |   |             |                                 |             |             |
| UKF 215  | 65   | 200  | 159  | 32   | 22                            | 56   | 19                            | 71   | 73             | M16                                       | UK215       | H315<br>HA315<br>HE315          | F215        | 7.02        |
|          | <sup>2</sup> - <sup>7</sup> / <sub>16</sub>  | <sup>7</sup> - <sup>7</sup> / <sub>8</sub>   | <sup>6</sup> - <sup>17</sup> / <sub>64</sub> | <sup>1</sup> - <sup>11</sup> / <sub>32</sub> | <sup>55</sup> / <sub>64</sub> | <sup>2</sup> - <sup>7</sup> / <sub>32</sub>  | <sup>3</sup> / <sub>4</sub>   | <sup>2</sup> - <sup>51</sup> / <sub>64</sub> | 2.874          | <sup>5</sup> / <sub>8</sub>               |             |                                 |             |             |
|          | <sup>2</sup> - <sup>1</sup> / <sub>2</sub>   |  |  |  |                               |  |                               |  |                |   |             |                                 |             |             |
| UKF216   | 70   | 208  | 165  | 34   | 22                            | 58   | 23                            | 73.5   | 78             | M20                                       | UK216       | H316<br>HA316<br>HE316          | F216        | 7.76        |
|          | <sup>2</sup> - <sup>11</sup> / <sub>16</sub> | <sup>8</sup> - <sup>3</sup> / <sub>16</sub>  | <sup>6</sup> - <sup>1</sup> / <sub>2</sub>   | <sup>1</sup> - <sup>11</sup> / <sub>32</sub> | <sup>55</sup> / <sub>64</sub> | <sup>2</sup> - <sup>9</sup> / <sub>32</sub>  | <sup>29</sup> / <sub>32</sub> | <sup>2</sup> - <sup>57</sup> / <sub>64</sub> | 3.071          | <sup>3</sup> / <sub>4</sub>               |             |                                 |             |             |
|          | <sup>2</sup> - <sup>3</sup> / <sub>4</sub>   |  |  |  |                               |  |                               |  |                |   |             |                                 |             |             |
| UKF 217  | 75   | 220  | 175  | 36   | 24                            | 63   | 23                            | 77   | 82             | M20                                       | UK217       | H317<br>HA317<br>HE317          | F217        | 10.08       |
|          | <sup>2</sup> - <sup>15</sup> / <sub>16</sub> | <sup>8</sup> - <sup>21</sup> / <sub>32</sub> | <sup>6</sup> - <sup>57</sup> / <sub>64</sub> | <sup>1</sup> - <sup>27</sup> / <sub>64</sub> | <sup>15</sup> / <sub>16</sub> | <sup>2</sup> - <sup>15</sup> / <sub>32</sub> | <sup>29</sup> / <sub>32</sub> | <sup>3</sup> - <sup>1</sup> / <sub>32</sub>  | 3.228          | <sup>3</sup> / <sub>4</sub>               |             |                                 |             |             |
|          | 3  |  |  |  |                               |  |                               |  |                |   |             |                                 |             |             |
| UKF 218  | 80   | 235  | 187  | 40   | 24                            | 68   | 23                            | 81.5   | 86             | M20                                       | UK218       | H318<br>H3A18                   | F218        | 12.44       |
|          | <sup>3</sup> - <sup>3</sup> / <sub>16</sub>  | <sup>9</sup> - <sup>1</sup> / <sub>4</sub>   | <sup>7</sup> - <sup>23</sup> / <sub>64</sub> | <sup>1</sup> - <sup>37</sup> / <sub>64</sub> | <sup>15</sup> / <sub>16</sub> | <sup>2</sup> - <sup>11</sup> / <sub>16</sub> | <sup>29</sup> / <sub>32</sub> | <sup>3</sup> - <sup>13</sup> / <sub>64</sub> | 3.386          | <sup>3</sup> / <sub>4</sub>               |             |                                 |             |             |



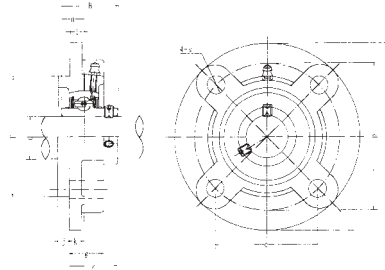


| Unit No.   | Dimensions <sup>mm</sup> / <sub>inch</sub> |         |         |         |       |         |       |         |        |       | Bolt Size<br>mm<br>inch | Bearing No. | Housing No. | Weight<br>(kg) |
|------------|--|---------|---------|---------|-------|---------|-------|---------|--------|-------|-------------------------|-------------|-------------|----------------|
|            | d  | a       | e       | i       | g     | l       | s     | z       | B      | n     |                         |             |             |                |
| UCFX 05    | 25   | 108     | 83      | 18      | 13    | 30      | 12    | 40.2    | 38.1   | 15.9  | M10                     | UCX 05      | FX05        | 1.0            |
| UCFX 05-13 | 13 <sup>13/16</sup>                        |         |         |         |       |         |       |         |        |       |                         | UCX 05-13   |             |                |
| UCFX 05-14 | 7 <sup>7/8</sup>                           |         |         |         |       |         |       |         |        |       |                         | UCX 05-14   |             |                |
| UCFX 05-15 | 15 <sup>15/16</sup>                        | 4-1/4   | 3-17/64 | 45/64   | 1/2   | 1-3/16  | 15/32 | 1-19/32 | 1.5000 | 0.626 | 3/8                     | UCX 05-15   |             |                |
| UCFX 05-16 | 1  |         |         |         |       |         |       |         |        |       |                         | UCX 05-16   |             |                |
| UCFX 06    | 30   | 117     | 92      | 19      | 14    | 34      | 16    | 44.4    | 42.9   | 17.5  | M14                     | UCX 06      | FX06        | 1.7            |
| UCFX 06-17 | 1-1/16                                     |         |         |         |       |         |       |         |        |       |                         | UCX 06-17   |             |                |
| UCFX 06-18 | 1-1/8                                      |         |         |         |       |         |       |         |        |       |                         | UCX 06-18   |             |                |
| UCFX 06-19 | 1-3/16                                     | 4-39/64 | 3-5/8   | 3/4     | 9/16  | 1-11/32 | 5/8   | 1-3/4   | 1.6890 | 0.689 | 1/2                     | UCX 06-19   |             |                |
| UCFX 06-20 | 1-1/4                                      |         |         |         |       |         |       |         |        |       |                         | UCX 06-20   |             |                |
| UCFX 07    | 35   | 130     | 102     | 21      | 14    | 38      | 16    | 51.2    | 49.2   | 19    | M14                     | UCX 07      | FX07        | 2.1            |
| UCFX 07-21 | 1-5/16                                     |         |         |         |       |         |       |         |        |       |                         | UCX 07-21   |             |                |
| UCFX 07-22 | 1-3/8                                      | 5-1/8   | 4-1/64  | 53/64   | 9/16  | 1-1/2   | 5/8   | 2-1/64  | 1.9370 | 0.748 | 1/2                     | UCX 07-22   |             |                |
| UCFX 07-23 | 1-7/16                                     |         |         |         |       |         |       |         |        |       |                         | UCX 07-23   |             |                |
| UCFX 08    | 40   | 137     | 105     | 22      | 14    | 40      | 19    | 52.2    | 49.2   | 19    | M16                     | UCX 08      | FX08        | 2.4            |
| UCFX 08-24 | 1-1/2                                      | 5-13/32 | 4-9/64  | 55/64   | 9/16  | 1-9/16  | 3/4   | 2-1/64  | 1.9370 | 0.748 | 5/8                     | UCX 08-24   |             |                |
| UCFX 08-25 | 1-9/16                                     |         |         |         |       |         |       |         |        |       |                         | UCX 08-25   |             |                |
| UCFX 09    | 45   | 143     | 111     | 23      | 14    | 40      | 19    | 55.6    | 51.6   | 19    | M16                     | UCX 09      | FX09        | 2.5            |
| UCFX 09-26 | 1-5/8                                      |         |         |         |       |         |       |         |        |       |                         | UCX 09-26   |             |                |
| UCFX 09-27 | 1-11/16                                    | 5-5/8   | 4-3/8   | 29/32   | 9/16  | 1-9/16  | 3/4   | 2-3/16  | 2.0315 | 0.748 | 5/8                     | UCX 09-27   |             |                |
| UCFX 09-28 | 1-3/4                                      |         |         |         |       |         |       |         |        |       |                         | UCX 09-28   |             |                |
| UCFX 09-29 | 1-13/16                                    |         |         |         |       |         |       |         |        |       |                         | UCX 09-29   |             |                |
| UCFX 10    | 50   | 162     | 130     | 26      | 20    | 44      | 19    | 59.4    | 55.6   | 22.2  | M16                     | UCX 10      | FX10        | 3.9            |
| UCFX 10-30 | 1-7/8                                      |         |         |         |       |         |       |         |        |       |                         | UCX 10-30   |             |                |
| UCFX 10-31 | 1-15/16                                    | 6-3/8   | 5-1/8   | 1-1/32  | 25/32 | 1-23/32 | 3/4   | 2-11/32 | 2.1890 | 0.874 | 5/8                     | UCX 10-31   |             |                |
| UCFX 10-32 | 2  |         |         |         |       |         |       |         |        |       |                         | UCX 10-32   |             |                |
| UCFX 11    | 55   | 175     | 143     | 29      | 20    | 49      | 19    | 68.7    | 65.1   | 25.4  | M16                     | UCX 11      | FX11        | 4.9            |
| UCFX 11-33 | 2-1/16                                     |         |         |         |       |         |       |         |        |       |                         | UCX 11-33   |             |                |
| UCFX 11-34 | 2-1/8                                      |         |         |         |       |         |       |         |        |       |                         | UCX 11-34   |             |                |
| UCFX 11-35 | 2-3/16                                     | 6-57/64 | 5-5/8   | 1-9/64  | 25/32 | 1-15/16 | 3/4   | 2-45/64 | 2.5630 | 1.000 | 5/8                     | UCX 11-35   |             |                |
| UCFX 11-36 | 2-1/4                                      |         |         |         |       |         |       |         |        |       |                         | UC 211-36   |             |                |
| UCFX 11-37 | 2-5/16                                     |         |         |         |       |         |       |         |        |       |                         | UC 211-37   |             |                |
| UCFX 12    | 60   | 187     | 149     | 34      | 21    | 59      | 19    | 73.7    | 65.1   | 25.4  | M16                     | UCX 12      | FX12        | 5.2            |
| UCFX 12-38 | 2-3/8                                      | 7-23/64 | 5-55/64 | 1-11/32 | 13/16 | 2-5/16  | 3/4   | 2-29/32 | 2.5630 | 1.000 | 5/8                     | UCX 12-38   |             |                |
| UCFX 12-39 | 2-7/16                                     |         |         |         |       |         |       |         |        |       |                         | UCX 12-39   |             |                |
| UCFX 13    | 65   | 187     | 149     | 34      | 21    | 59      | 19    | 78.4    | 74.6   | 30.2  | M16                     | UCX 13      | FX13        | 5.3            |
| UCFX 13-40 | 2-1/2                                      | 7-23/64 | 5-55/64 | 1-11/32 | 13/16 | 2-5/16  | 3/4   | 3-3/32  | 2.9370 | 1.189 | 5/8                     | UCX 13-40   |             |                |
| UCFX 13-41 | 2-9/16                                     |         |         |         |       |         |       |         |        |       |                         | UCX 13-41   |             |                |
| UCFX 14    | 70   | 197     | 152     | 37      | 24    | 60      | 23    | 81.5    | 77.8   | 33.3  | M20                     | UCX 14      | FX14        | 7.3            |
| UCFX 14-42 | 2-5/8                                      |         |         |         |       |         |       |         |        |       |                         | UCX 14-42   |             |                |
| UCFX 14-43 | 2-11/16                                    | 7-3/4   | 5-63/64 | 1-29/64 | 15/16 | 2-3/8   | 29/32 | 3-13/64 | 3.0630 | 1.311 | 3/4                     | UCX 14-43   |             |                |
| UCFX 14-44 | 2-3/4                                      |         |         |         |       |         |       |         |        |       |                         | UCX 14-44   |             |                |
| UCFX 15    | 75   | 197     | 152     | 40      | 24    | 68      | 23    | 89.3    | 82.6   | 33.3  | M20                     | UCX 15      | PX15        | 8.1            |
| UCFX 15-45 | 2-13/16                                    |         |         |         |       |         |       |         |        |       |                         | UCX 15-45   |             |                |
| UCFX 15-46 | 2-7/8                                      | 7-3/4   | 5-63/64 | 1-37/64 | 15/16 | 2-11/16 | 29/32 | 3-33/64 | 3.2520 | 1.311 | 3/4                     | UCX 15-46   |             |                |
| UCFX 15-47 | 2-15/16                                    |         |         |         |       |         |       |         |        |       |                         | UCX 15-47   |             |                |
| UCFX 15-48 | 3  |         |         |         |       |         |       |         |        |       |                         | UCX 15-48   |             |                |
| UCFX 16    | 80   | 214     | 171     | 40      | 24    | 70      | 23    | 91.6    | 85.7   | 34.1  | M20                     | UCX 16      | PX16        | 9.9            |
| UCFX 16-49 | 3-1/16                                     |         |         |         |       |         |       |         |        |       |                         | UCX 16-49   |             |                |
| UCFX 16-50 | 3-1/8                                      | 8-7/16  | 6-47/64 | 1-37/64 | 15/16 | 2-3/4   | 29/32 | 3-39/64 | 3.3740 | 1.343 | 3/4                     | UCX 16-50   |             |                |
| UCFX 16-51 | 3-3/16                                     |         |         |         |       |         |       |         |        |       |                         | UCX 16-51   |             |                |
| UCFX 16-52 | 3-1/4                                      |         |         |         |       |         |       |         |        |       |                         | UCX 16-52   |             |                |
| UCFX 17    | 85   | 214     | 171     | 40      | 24    | 70      | 23    | 96.3    | 96     | 39.7  | M20                     | UCX 17      | PX17        | 11             |
| UCFX 17-53 | 3-5/16                                     | 8-7/16  | 6-47/64 | 1-37/64 | 15/16 | 2-3/4   | 29/32 | 3-25/32 | 3.7795 | 1.563 | 3/4                     | UCX 17-53   |             |                |
| UCFX 17-55 | 3-7/16                                     |         |         |         |       |         |       |         |        |       |                         | UCX 17-55   |             |                |

Flange Units (Square)



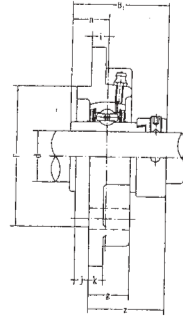
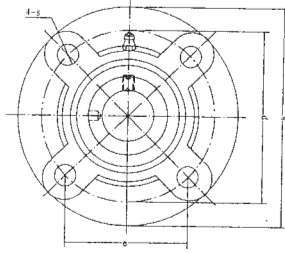
| Unit No.   | Dimensions <sup>mm</sup> / <sub>inch</sub> |                                     |                                    |                                    |                                  |                                    |                                  |                                    |        |        | Bolt Size <sup>mm</sup> / <sub>inch</sub> | Bearing No. | Housing No. | Weight (kg) |
|------------|--|-------------------------------------|------------------------------------|------------------------------------|----------------------------------|------------------------------------|----------------------------------|------------------------------------|--------|--------|---|-------------|-------------|-------------|
|            | d  | a                                   | e                                  | i                                  | g                                | l                                  | s                                | z                                  | B      | n      |   |             |             |             |
| UCF 305    | 25   | 110                                 | 80                                 | 16                                 | 13                               | 29                                 | 16                               | 39                                 | 38     | 15     | M14                                       | UC 305      | F305        | 1.1         |
| UCF 305-13 | 13 <sup>1</sup> / <sub>16</sub>            |                                     |                                    |                                    |                                  |                                    |                                  |                                    |        |        |   | UC 305-13   |             |             |
| UCF 305-14 | 7 <sup>7</sup> / <sub>8</sub>              |                                     |                                    |                                    |                                  |                                    |                                  |                                    |        |        |   | UC 305-14   |             |             |
| UCF 305-15 | 15 <sup>15</sup> / <sub>16</sub>           | 4-11 <sup>11</sup> / <sub>32</sub>  | 3-5 <sup>5</sup> / <sub>32</sub>   | 5 <sup>5</sup> / <sub>8</sub>      | 1 <sup>1</sup> / <sub>2</sub>    | 1-5 <sup>5</sup> / <sub>32</sub>   | 5 <sup>5</sup> / <sub>8</sub>    | 1-17 <sup>17</sup> / <sub>32</sub> | 1.4961 | 0.591  | 1 <sup>1</sup> / <sub>2</sub>             | UC 305-15   |             |             |
| UCF 305-16 | 1  |                                     |                                    |                                    |                                  |                                    |                                  |                                    |        |        |   | UC 305-16   |             |             |
| UCF 306    | 30   | 125                                 | 95                                 | 18                                 | 15                               | 32                                 | 16                               | 44                                 | 43     | 17     | M14                                       | UC 306      | F306        | 1.6         |
| UCF 306-17 | 1-1 <sup>1</sup> / <sub>16</sub>           | 4-29 <sup>29</sup> / <sub>32</sub>  | 3-37 <sup>37</sup> / <sub>64</sub> | 45 <sup>45</sup> / <sub>64</sub>   | 19 <sup>19</sup> / <sub>32</sub> | 1-1 <sup>1</sup> / <sub>4</sub>    | 5 <sup>5</sup> / <sub>8</sub>    | 1-47 <sup>47</sup> / <sub>64</sub> | 1.6929 | 0.669  | 1 <sup>1</sup> / <sub>2</sub>             | UC 306-17   |             |             |
| UCF 306-18 | 1-1 <sup>1</sup> / <sub>8</sub>            |                                     |                                    |                                    |                                  |                                    |                                  |                                    |        |        |   | UC 306-18   |             |             |
| UCF 306-19 | 1-3 <sup>3</sup> / <sub>16</sub>           |                                     |                                    |                                    |                                  |                                    |                                  |                                    |        |        |   | UC 306-19   |             |             |
| UCF 307    | 35   | 135                                 | 100                                | 20                                 | 16                               | 36                                 | 19                               | 49                                 | 48     | 19     | M16                                       | UC 307      | F307        | 2           |
| UCF 307-20 | 1-1 <sup>1</sup> / <sub>4</sub>            |                                     |                                    |                                    |                                  |                                    |                                  |                                    |        |        |   | UC 307-20   |             |             |
| UCF 307-21 | 1-5 <sup>5</sup> / <sub>16</sub>           | 5-5 <sup>5</sup> / <sub>16</sub>    | 3-15 <sup>15</sup> / <sub>16</sub> | 25 <sup>25</sup> / <sub>32</sub>   | 5 <sup>5</sup> / <sub>8</sub>    | 1-13 <sup>13</sup> / <sub>32</sub> | 3 <sup>3</sup> / <sub>4</sub>    | 1-59 <sup>59</sup> / <sub>64</sub> | 1.8898 | 0.748  | 5 <sup>5</sup> / <sub>8</sub>             | UC 307-21   |             |             |
| UCF 307-22 | 1-3 <sup>3</sup> / <sub>8</sub>            |                                     |                                    |                                    |                                  |                                    |                                  |                                    |        |        |   | UC 307-22   |             |             |
| UCF 307-23 | 1-7 <sup>7</sup> / <sub>16</sub>           |                                     |                                    |                                    |                                  |                                    |                                  |                                    |        |        |   | UC 307-23   |             |             |
| UCF 308    | 40   | 150                                 | 112                                | 23                                 | 17                               | 40                                 | 19                               | 56                                 | 52     | 19     | M16                                       | UC 308      | F308        | 2.7         |
| UCF 308-24 | 1-1 <sup>1</sup> / <sub>2</sub>            | 5-29 <sup>29</sup> / <sub>32</sub>  | 4-13 <sup>13</sup> / <sub>32</sub> | 29 <sup>29</sup> / <sub>32</sub>   | 21 <sup>21</sup> / <sub>32</sub> | 1-9 <sup>9</sup> / <sub>16</sub>   | 3 <sup>3</sup> / <sub>4</sub>    | 2-13 <sup>13</sup> / <sub>64</sub> | 2.0472 | 0.748  | 5 <sup>5</sup> / <sub>8</sub>             | UC 308-24   |             |             |
| UCF 308-25 | 1-9 <sup>9</sup> / <sub>16</sub>           |                                     |                                    |                                    |                                  |                                    |                                  |                                    |        |        |   | UC 308-25   |             |             |
| UCF 309    | 45   | 160                                 | 125                                | 25                                 | 18                               | 44                                 | 19                               | 60                                 | 57     | 22     | M16                                       | UC 309      | F209        | 3.4         |
| UCF 309-26 | 1-5 <sup>5</sup> / <sub>8</sub>            |                                     |                                    |                                    |                                  |                                    |                                  |                                    |        |        |   | UC 309-26   |             |             |
| UCF 309-27 | 1-11 <sup>11</sup> / <sub>16</sub>         | 6-5 <sup>5</sup> / <sub>16</sub>    | 4-59 <sup>59</sup> / <sub>64</sub> | 63 <sup>63</sup> / <sub>64</sub>   | 23 <sup>23</sup> / <sub>32</sub> | 1-23 <sup>23</sup> / <sub>32</sub> | 3 <sup>3</sup> / <sub>4</sub>    | 2-23 <sup>23</sup> / <sub>64</sub> | 2.2441 | 0.866  | 5 <sup>5</sup> / <sub>8</sub>             | UC 309-27   |             |             |
| UCF 309-28 | 1-3 <sup>3</sup> / <sub>4</sub>            |                                     |                                    |                                    |                                  |                                    |                                  |                                    |        |        |   | UC 309-28   |             |             |
| UCF 310    | 50   | 175                                 | 132                                | 28                                 | 19                               | 48                                 | 23                               | 67                                 | 61     | 22     | M20                                       | UC 310      | F310        | 4.5         |
| UCF 310-29 | 1-13 <sup>13</sup> / <sub>16</sub>         |                                     |                                    |                                    |                                  |                                    |                                  |                                    |        |        |   | UC 310-29   |             |             |
| UCF 310-30 | 1-7 <sup>7</sup> / <sub>8</sub>            | 6-7 <sup>7</sup> / <sub>8</sub>     | 5-13 <sup>13</sup> / <sub>64</sub> | 1-7 <sup>7</sup> / <sub>64</sub>   | 3 <sup>3</sup> / <sub>4</sub>    | 1-7 <sup>7</sup> / <sub>8</sub>    | 29 <sup>29</sup> / <sub>32</sub> | 2-41 <sup>41</sup> / <sub>64</sub> | 2.4016 | 0.866  | 3 <sup>3</sup> / <sub>4</sub>             | UC 310-30   |             |             |
| UCF 310-31 | 1-15 <sup>15</sup> / <sub>16</sub>         |                                     |                                    |                                    |                                  |                                    |                                  |                                    |        |        |   | UC 310-31   |             |             |
| UCF 311    | 55   | 185                                 | 140                                | 30                                 | 20                               | 52                                 | 23                               | 71                                 | 66     | 25     | M20                                       | UC 311      | F311        | 5.5         |
| UCF 311-32 | 2  |                                     |                                    |                                    |                                  |                                    |                                  |                                    |        |        |   | UC311-32    |             |             |
| UCF 311-33 | 2-1 <sup>1</sup> / <sub>16</sub>           | 7-9 <sup>9</sup> / <sub>32</sub>    | 5-33 <sup>33</sup> / <sub>64</sub> | 1-3 <sup>3</sup> / <sub>16</sub>   | 25 <sup>25</sup> / <sub>32</sub> | 2-1 <sup>1</sup> / <sub>16</sub>   | 29 <sup>29</sup> / <sub>32</sub> | 2-51 <sup>51</sup> / <sub>64</sub> | 2.5984 | 0.948  | 3 <sup>3</sup> / <sub>4</sub>             | UC311-33    |             |             |
| UCF 311-34 | 2-1 <sup>1</sup> / <sub>8</sub>            |                                     |                                    |                                    |                                  |                                    |                                  |                                    |        |        |   | UC311-34    |             |             |
| UCF 311-35 | 2-3 <sup>3</sup> / <sub>16</sub>           |                                     |                                    |                                    |                                  |                                    |                                  |                                    |        |        |   | UC311-35    |             |             |
| UCF 312    | 60   | 195                                 | 150                                | 33                                 | 22                               | 56                                 | 23                               | 78                                 | 71     | 26     | M20                                       | UC312       | F312        | 6.5         |
| UCF 312-36 | 2-1 <sup>1</sup> / <sub>4</sub>            |                                     |                                    |                                    |                                  |                                    |                                  |                                    |        |        |   | UC312-36    |             |             |
| UCF 312-37 | 2-5 <sup>5</sup> / <sub>16</sub>           | 7-11 <sup>11</sup> / <sub>16</sub>  | 5-29 <sup>29</sup> / <sub>32</sub> | 1-19 <sup>19</sup> / <sub>64</sub> | 7 <sup>7</sup> / <sub>8</sub>    | 2-7 <sup>7</sup> / <sub>32</sub>   | 29 <sup>29</sup> / <sub>32</sub> | 3-5 <sup>5</sup> / <sub>64</sub>   | 1.024  | 1.024  | 3 <sup>3</sup> / <sub>4</sub>             | UC312-37    |             |             |
| UCF 312-38 | 2-3 <sup>3</sup> / <sub>8</sub>            |                                     |                                    |                                    |                                  |                                    |                                  |                                    |        |        |   | UC312-38    |             |             |
| UCF 312-39 | 2-7 <sup>7</sup> / <sub>16</sub>           |                                     |                                    |                                    |                                  |                                    |                                  |                                    |        |        |   | UC312-39    |             |             |
| UCF 313    | 65   | 208                                 | 166                                | 33                                 | 22                               | 58                                 | 23                               | 78                                 | 75     | 30     | M20                                       | UC313       | F313        | 7.9         |
| UCF 313-40 | 2-1 <sup>1</sup> / <sub>2</sub>            | 8-3 <sup>3</sup> / <sub>16</sub>    | 6-17 <sup>17</sup> / <sub>32</sub> | 1-19 <sup>19</sup> / <sub>64</sub> | 55 <sup>55</sup> / <sub>64</sub> | 2-9 <sup>9</sup> / <sub>32</sub>   | 29 <sup>29</sup> / <sub>32</sub> | 3-5 <sup>5</sup> / <sub>64</sub>   | 2.9528 | 1.818  | 3 <sup>3</sup> / <sub>4</sub>             | UC313-40    |             |             |
| UCF 313-41 | 2-9 <sup>9</sup> / <sub>16</sub>           |                                     |                                    |                                    |                                  |                                    |                                  |                                    |        |        |   | UC313-41    |             |             |
| UCF 314    | 70   | 226                                 | 178                                | 36                                 | 25                               | 61                                 | 25                               | 81                                 | 78     | 33     | M22                                       | UC314       | F314        | 9.5         |
| UCF 314-42 | 2-5 <sup>5</sup> / <sub>8</sub>            |                                     |                                    |                                    |                                  |                                    |                                  |                                    |        |        |   | UC314-42    |             |             |
| UCF 314-43 | 2-11 <sup>11</sup> / <sub>16</sub>         | 8-29 <sup>29</sup> / <sub>32</sub>  | 6-1 <sup>1</sup> / <sub>64</sub>   | 1-27 <sup>27</sup> / <sub>64</sub> | 31 <sup>31</sup> / <sub>32</sub> | 2-13 <sup>13</sup> / <sub>32</sub> | 63 <sup>63</sup> / <sub>64</sub> | 3-3 <sup>3</sup> / <sub>16</sub>   | 3.0708 | 1.299  | 7 <sup>7</sup> / <sub>8</sub>             | UC314-43    |             |             |
| UCP 314-44 | 2-3 <sup>3</sup> / <sub>4</sub>            |                                     |                                    |                                    |                                  |                                    |                                  |                                    |        |        |   | UC314-44    |             |             |
| UCF 315    | 75   | 236                                 | 184                                | 39                                 | 25                               | 66                                 | 25                               | 89                                 | 82     | 32     | M22                                       | UC315       | F315        | 1.2         |
| UCF 315-45 | 2-13 <sup>13</sup> / <sub>16</sub>         |                                     |                                    |                                    |                                  |                                    |                                  |                                    |        |        |   | UC315-45    |             |             |
| UCF 315-46 | 2-7 <sup>7</sup> / <sub>8</sub>            |                                     |                                    |                                    |                                  |                                    |                                  |                                    |        |        |   | UC315-46    |             |             |
| UCF 315-47 | 2-15 <sup>15</sup> / <sub>16</sub>         | 9-19 <sup>19</sup> / <sub>32</sub>  | 7-1 <sup>1</sup> / <sub>4</sub>    | 1-17 <sup>17</sup> / <sub>32</sub> | 31 <sup>31</sup> / <sub>32</sub> | 2-19 <sup>19</sup> / <sub>32</sub> | 63 <sup>63</sup> / <sub>64</sub> | 3-1 <sup>1</sup> / <sub>2</sub>    | 3.2283 | 1.260  | 7 <sup>7</sup> / <sub>8</sub>             | UC315-47    |             |             |
| UCF 315-48 | 3  |                                     |                                    |                                    |                                  |                                    |                                  |                                    |        |        |   | UC315-48    |             |             |
| UCF 316    | 80   | 250                                 | 196                                | 38                                 | 27                               | 68                                 | 31                               | 90                                 | 86     | 34     | M27                                       | UC316       | F316        | 14          |
| UCF 316-49 | 3-1 <sup>1</sup> / <sub>16</sub>           |                                     |                                    |                                    |                                  |                                    |                                  |                                    |        |        |   | UC316-49    |             |             |
| UCF 316-50 | 3-1 <sup>1</sup> / <sub>8</sub>            | 9-27 <sup>27</sup> / <sub>32</sub>  | 7-23 <sup>23</sup> / <sub>32</sub> | 1-1 <sup>1</sup> / <sub>2</sub>    | 1-1 <sup>1</sup> / <sub>16</sub> | 2-11 <sup>11</sup> / <sub>16</sub> | 1-7 <sup>7</sup> / <sub>32</sub> | 3-35 <sup>35</sup> / <sub>64</sub> | 3.3858 | 1.339  | 1   | UC316-50    |             |             |
| UCF 316-51 | 3-3 <sup>3</sup> / <sub>16</sub>           |                                     |                                    |                                    |                                  |                                    |                                  |                                    |        |        |   | UC316-51    |             |             |
| UCF 317    | 85   | 260                                 | 204                                | 44                                 | 27                               | 74                                 | 31                               | 100                                | 96     | 40     | M27                                       | UC317       | F317        | 16          |
| UCF 317-52 | 3-1 <sup>1</sup> / <sub>4</sub>            |                                     |                                    |                                    |                                  |                                    |                                  |                                    |        |        |   | UC317-52    |             |             |
| UCF 317-53 | 3-5 <sup>5</sup> / <sub>16</sub>           | 10-1 <sup>1</sup> / <sub>4</sub>    | 8-1 <sup>1</sup> / <sub>32</sub>   | 1-47 <sup>47</sup> / <sub>64</sub> | 1-1 <sup>1</sup> / <sub>16</sub> | 2-29 <sup>29</sup> / <sub>32</sub> | 1-7 <sup>7</sup> / <sub>32</sub> | 3-15 <sup>15</sup> / <sub>16</sub> | 3.7795 | 1.575  | 1   | UC317-53    |             |             |
| UCF 317-55 | 3-7 <sup>7</sup> / <sub>16</sub>           |                                     |                                    |                                    |                                  |                                    |                                  |                                    |        |        |   | UF317-55    |             |             |
| UCF 318    | 90   | 280                                 | 216                                | 44                                 | 30                               | 76                                 | 35                               | 100                                | 96     | 40     | M30                                       | UC318       | F318        | 19          |
| UCF 318-55 | 3-7 <sup>7</sup> / <sub>16</sub>           |                                     |                                    |                                    |                                  |                                    |                                  |                                    |        |        |   | UC318-55    |             |             |
| UCF 318-56 | 3-1 <sup>1</sup> / <sub>2</sub>            | 11-1 <sup>1</sup> / <sub>32</sub>   | 8-1 <sup>1</sup> / <sub>2</sub>    | 1-47 <sup>47</sup> / <sub>64</sub> | 1-3 <sup>3</sup> / <sub>16</sub> | 3                                  | 1-3 <sup>3</sup> / <sub>8</sub>  | 3-15 <sup>15</sup> / <sub>16</sub> | 3.7795 | 1.575  | 1-1 <sup>1</sup> / <sub>8</sub>           | UC318-56    |             |             |
| UCF 319    | 95   | 290                                 | 228                                | 59                                 | 30                               | 94                                 | 35                               | 121                                | 103    | 41     | M30                                       | UC319       | F319        | 22          |
| UCF 319-58 | 3-5 <sup>5</sup> / <sub>8</sub>            |                                     |                                    |                                    |                                  |                                    |                                  |                                    |        |        |   | UC319-58    |             |             |
| UCF 319-59 | 3-11 <sup>11</sup> / <sub>16</sub>         | 11-13 <sup>13</sup> / <sub>32</sub> | 8-31 <sup>31</sup> / <sub>32</sub> | 2-21 <sup>21</sup> / <sub>64</sub> | 1-3 <sup>3</sup> / <sub>16</sub> | 3-11 <sup>11</sup> / <sub>16</sub> | 1-3 <sup>3</sup> / <sub>8</sub>  | 4-49 <sup>49</sup> / <sub>64</sub> | 4.0551 | 1.614  | 1-1 <sup>1</sup> / <sub>8</sub>           | UC319-59    |             |             |
| UCF 319-60 | 3-3 <sup>3</sup> / <sub>4</sub>            |                                     |                                    |                                    |                                  |                                    |                                  |                                    |        |        |   | UC319-60    |             |             |
| UCF 320-64 | 100  | 310                                 | 242                                | 59                                 | 32                               | 94                                 | 38                               | 125                                | 108    | 42     | M33                                       | UC320-64    | F320        | 25.8        |
|            |  | 12-7 <sup>7</sup> / <sub>32</sub>   | 9-17 <sup>17</sup> / <sub>32</sub> | 2-21 <sup>21</sup> / <sub>64</sub> | 1-1 <sup>1</sup> / <sub>4</sub>  | 3-11 <sup>11</sup> / <sub>16</sub> | 1-1 <sup>1</sup> / <sub>2</sub>  | 4-9 <sup>9</sup> / <sub>32</sub>   | 4.2519 | 1.6535 | 1-1 <sup>1</sup> / <sub>4</sub>           |             |             |             |



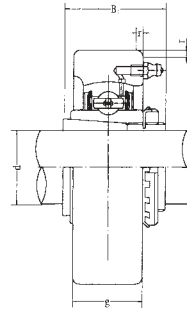
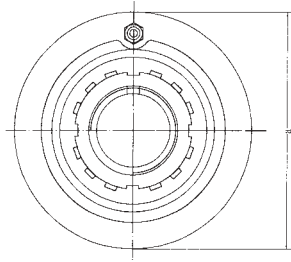
| Unit No.    | Dimensions <sup>mm</sup> / <sub>inch</sub> |         |         |         |       |       |       |       |         |        |         |        |        |      | Bolt Size<br><sup>mm</sup> / <sub>inch</sub> | Bearing No. | Housing No. | Weight<br>(kg) |
|-------------|--|---------|---------|---------|-------|-------|-------|-------|---------|--------|---------|--------|--------|------|--|-------------|-------------|----------------|
|             | d  | a       | p       | e       | i     | S     | j     | k     | g       | f      | z       | B      | n      |      |  |             |             |                |
| UCFC 201    | 12   | 100     | 78      | 55.1    | 10    | 12    | 5     | 7     | 20.5    | 62     | 28.3    | 31     | 12.7   | M10  | UC 201                                       | FC204       | 0.73        |                |
| UCFC 201-8  | 3/4  | 3-15/16 | 3-5/8   | 2-11/64 | 25/64 | 15/32 | 13/64 | 9/32  | 13/16   | 2.4409 | 1-1/8   | 1.2205 | 0.500  | 3/8  | UC 201-8                                     |             | 0.72        |                |
| UCFC 202    | 15   | 100     | 78      | 55.1    | 10    | 12    | 5     | 7     | 20.5    | 62     | 28.3    | 31     | 12.7   | M10  | UC 202                                       | FC204       | 0.72        |                |
| UCFC 202-9  | 9/16                                       | 3-15/16 | 3-5/8   | 2-11/64 | 25/64 | 15/32 | 13/64 | 9/32  | 13/16   | 2.4409 | 1-1/8   | 1.2205 | 0.500  | 3/8  | UC 202-9                                     |             | 0.72        |                |
| UCFC 202-10 | 5/8  |         |         |         |       |       |       |       |         |        |         |        |        |      | UC 202-10                                    | 0.72        |             |                |
| UCFC 203    | 17   | 100     | 78      | 55.1    | 10    | 12    | 5     | 7     | 20.5    | 62     | 28.3    | 31     | 12.7   | M10  | UC 203                                       | FC204       | 0.71        |                |
| UCFC 203-11 | 11/16                                      | 3-15/16 | 3-5/8   | 2-11/64 | 25/64 | 15/32 | 13/64 | 9/32  | 13/16   | 2.4409 | 1-1/8   | 1.2205 | 0.500  | 3/8  | UC 203-11                                    |             | 0.70        |                |
| UCFC 204    | 20   | 100     | 78      | 55.1    | 10    | 12    | 5     | 7     | 20.5    | 62     | 28.3    | 31     | 12.7   | M10  | UC 204                                       | FC204       | 0.69        |                |
| UCFC 204-12 | 3/4  | 3-15/16 | 3-5/8   | 2-11/64 | 25/64 | 15/32 | 13/64 | 9/32  | 13/16   | 2.4409 | 1-1/8   | 1.2205 | 0.500  | 3/8  | UC 204-12                                    |             | 0.69        |                |
| UCFC 205    | 25   | 115     | 90      | 63.6    | 10    | 12    | 6     | 7     | 21      | 70     | 29.8    | 34.1   | 14.3   | M10  | UC 205                                       | FC205       | 1.00        |                |
| UCFC 205-13 | 13/16                                      |         |         |         |       |       |       |       |         |        |         |        |        |      | UC 205-13                                    |             | 1.04        |                |
| UCFC 205-14 | 7/8  | 4-17/32 | 3-35/64 | 2-1/12  | 25/64 | 15/32 | 15/64 | 9/32  | 53/64   | 2.7559 | 1-11/64 | 1.3425 | 0.563  | 3/8  | UC 205-14                                    |             | 1.03        |                |
| UCFC 205-15 | 15/16                                      |         |         |         |       |       |       |       |         |        |         |        |        |      | UC 205-15                                    |             | 1.01        |                |
| UCFC 205-16 | 1  |         |         |         |       |       |       |       |         |        |         |        |        |      | UC 205-16                                    |             | 1.00        |                |
| UCFC 206    | 30   | 125     | 100     | 70.7    | 10    | 12    | 8     | 8     | 23      | 80     | 32.2    | 38.1   | 15.9   | M10  | UC 206                                       | FC206       | 1.30        |                |
| UCFC 206-17 | 1-1/16                                     |         |         |         |       |       |       |       |         |        |         |        |        |      | UC 206-17                                    |             | 1.31        |                |
| UCFC 206-18 | 1-1/8                                      | 4-59/64 | 3-15/16 | 2-25/32 | 25/64 | 15/32 | 5/16  | 5/16  | 29/32   | 3.1496 | 1-17/64 | 1.5000 | 0.626  | 3/8  | UC 206-18                                    |             | 1.32        |                |
| UCFC 206-19 | 1-3/16                                     |         |         |         |       |       |       |       |         |        |         |        |        |      | UC 206-19                                    |             | 1.30        |                |
| UCFC 206-20 | 1-1/4                                      |         |         |         |       |       |       |       |         |        |         |        |        |      | UC 206-20                                    |             | 1.29        |                |
| UCFC 207    | 35   | 135     | 110     | 77.8    | 11    | 14    | 8     | 9     | 26      | 90     | 36.4    | 42.9   | 17.5   | M12  | UC 207                                       | FC207       | 1.81        |                |
| UCFC 207-20 | 1-1/4                                      |         |         |         |       |       |       |       |         |        |         |        |        |      | UC 207-20                                    |             | 1.87        |                |
| UCFC 207-21 | 1-5/16                                     | 5-5/16  | 4-21/64 | 3-1/16  | 7/16  | 35/64 | 5/16  | 23/64 | 1-1/32  | 3.5433 | 1-7/16  | 1.6890 | 0.689  | 7/16 | UC 207-21                                    |             | 1.84        |                |
| UCFC 207-22 | 1-3/8                                      |         |         |         |       |       |       |       |         |        |         |        |        |      | UC 207-22                                    |             | 1.81        |                |
| UCFC 207-23 | 1-7/16                                     |         |         |         |       |       |       |       |         |        |         |        |        |      | UC 207-23                                    |             | 1.78        |                |
| UCFC 208    | 40   | 145     | 120     | 84.8    | 11    | 14    | 10    | 9     | 26      | 100    | 41.2    | 49.2   | 19     | M12  | UC 208                                       | FC208       | 2.14        |                |
| UCFC 208-24 | 1-1/2                                      | 5-45/64 | 4-23/32 | 3-11/32 | 7/16  | 35/64 | 25/64 | 23/64 | 1-1/32  | 3.9370 | 1-5/8   | 1.9370 | 0.748  | 7/16 | UC 208-24                                    |             | 2.18        |                |
| UCFC 208-25 | 1-9/16                                     |         |         |         |       |       |       |       |         |        |         |        |        |      | UC 208-25                                    |             | 2.15        |                |
| UCFC 209    | 45   | 160     | 132     | 93.3    | 10    | 16    | 12    | 14    | 26      | 105    | 40.2    | 49.2   | 19     | M14  | UC 209                                       | FC209       | 2.68        |                |
| UCFC 209-26 | 1-5/8                                      |         |         |         |       |       |       |       |         |        |         |        |        |      | UC 209-26                                    |             | 2.78        |                |
| UCFC 209-27 | 1-11/16                                    | 6-19/64 | 5-13/64 | 3-43/64 | 25/64 | 5/8   | 15/32 | 35/64 | 1-1/32  | 4.1339 | 1-37/64 | 1.9370 | 0.748  | 1/2  | UC 209-27                                    |             | 2.74        |                |
| UCFC 209-28 | 1-3/4                                      |         |         |         |       |       |       |       |         |        |         |        |        |      | UC 209-28                                    |             | 2.70        |                |
| UCFC 210    | 50   | 165     | 138     | 97.6    | 10    | 16    | 12    | 14    | 28      | 110    | 42.6    | 51.6   | 19     | M14  | UC 210                                       | FC210       | 2.90        |                |
| UCFC 210-29 | 1-13/16                                    |         |         |         |       |       |       |       |         |        |         |        |        |      | UC 210-29                                    |             | 3.02        |                |
| UCFC 210-30 | 1-7/8                                      | 6-1/2   | 5-7/16  | 3-27/32 | 25/64 | 5/8   | 15/32 | 35/64 | 1-7/64  | 4.3307 | 1-11/16 | 2.0315 | 0.748  | 1/2  | UC 210-30                                    |             | 2.97        |                |
| UCFC 210-31 | 1-15/16                                    |         |         |         |       |       |       |       |         |        |         |        |        |      | UC 210-31                                    |             | 2.92        |                |
| UCFC 210-32 | 2  |         |         |         |       |       |       |       |         |        |         |        |        |      | UC 210-32                                    |             | 2.88        |                |
| UCFC 211    | 55   | 185     | 150     | 106.1   | 13    | 19    | 12    | 15    | 31      | 125    | 46.4    | 55.6   | 22.2   | M16  | UC 211                                       | FC211       | 4.01        |                |
| UCFC 211-32 | 2  |         |         |         |       |       |       |       |         |        |         |        |        |      | UC 211-32                                    |             | 4.16        |                |
| UCFC 211-33 | 2-1/16                                     | 7-9/32  | 5-29/32 | 4-3/16  | 33/64 | 3/4   | 15/32 | 19/32 | 1-7/32  | 4.9213 | 1-53/64 | 2.1890 | 0.874  | 5/8  | UC 211-33                                    |             | 4.10        |                |
| UCFC 211-34 | 2-1/8                                      |         |         |         |       |       |       |       |         |        |         |        |        |      | UC 211-34                                    |             | 4.05        |                |
| UCFC 211-35 | 2-3/16                                     |         |         |         |       |       |       |       |         |        |         |        |        |      | UC 211-35                                    |             | 3.99        |                |
| UCFC 212    | 60   | 195     | 160     | 113.1   | 17    | 19    | 12    | 15    | 36      | 135    | 56.7    | 65.1   | 25.4   | M16  | UC 212                                       | FC212       | 4.94        |                |
| UCFC 212-36 | 2-1/4                                      |         |         |         |       |       |       |       |         |        |         |        |        |      | UC 212-36                                    |             | 5.07        |                |
| UCFC 212-37 | 2-5/16                                     | 7-11/16 | 6-19/64 | 4-29/64 | 43/64 | 3/4   | 15/32 | 19/32 | 1-27/64 | 5.3150 | 2-15/64 | 2.5630 | 1.000  | 5/8  | UC 212-37                                    |             | 4.99        |                |
| UCFC 212-38 | 2-3/8                                      |         |         |         |       |       |       |       |         |        |         |        |        |      | UC 212-38                                    |             | 4.92        |                |
| UCFC 212-39 | 2-7/16                                     |         |         |         |       |       |       |       |         |        |         |        |        |      | UC 212-39                                    |             | 4.85        |                |
| UCFC 213    | 65   | 205     | 170     | 120.2   | 16    | 19    | 14    | 15    | 36      | 145    | 55.7    | 65.1   | 25.4   | M16  | UC 213                                       | FC213       | 5.65        |                |
| UCFC 213-40 | 2-1/2                                      | 8-5/64  | 6-11/16 | 4-47/64 | 5/8   | 3/4   | 35/64 | 19/32 | 1-27/64 | 5.5118 | 1-3/16  | 2.5630 | 1.000  | 5/8  | UC 213-40                                    |             | 5.74        |                |
| UCFC 213-41 | 2-9/16                                     |         |         |         |       |       |       |       |         |        |         |        |        |      | UC 213-41                                    |             | 5.65        |                |
| UCFC 214    | 70   | 215     | 177     | 125.1   | 17    | 19    | 14    | 18    | 40      | 150    | 61.4    | 74.6   | 30.2   | M16  | UC 214                                       | FC214       | 6.95        |                |
| UCFC 214-42 | 2-5/8                                      |         |         |         |       |       |       |       |         |        |         |        |        |      | UC 214-42                                    |             | 7.16        |                |
| UCFC 214-43 | 2-11/16                                    | 8-15/32 | 6-31/32 | 4-59/64 | 43/64 | 3/4   | 35/64 | 23/32 | 1-37/64 | 5.9055 | 1-13/32 | 2.9370 | 1.189  | 5/8  | UC 214-43                                    |             | 7.06        |                |
| UCFC 214-44 | 2-3/4                                      |         |         |         |       |       |       |       |         |        |         |        |        |      | UC 214-44                                    |             | 6.96        |                |
| UCFC 215    | 75   | 220     | 184     | 130.1   | 18    | 19    | 16    | 18    | 40      | 160    | 62.5    | 77.8   | 33.3   | M16  | UC 215                                       | FC215       | 7.56        |                |
| UCFC 215-45 | 2-13/16                                    |         |         |         |       |       |       |       |         |        |         |        |        |      | UC 215-45                                    |             | 7.81        |                |
| UCFC 215-46 | 2-7/8                                      | 8-21/32 | 7-1/4   | 5-1/8   | 23/32 | 3/4   | 5/8   | 23/32 | 1-37/64 | 6.2992 | 2-15/32 | 3.0630 | 1.311  | 5/8  | UC 215-46                                    |             | 7.70        |                |
| UCFC 215-47 | 2-15/16                                    |         |         |         |       |       |       |       |         |        |         |        |        |      | UC 215-47                                    |             | 7.59        |                |
| UCFC 215-48 | 3  |         |         |         |       |       |       |       |         |        |         |        |        |      | UC 215-48                                    |             | 7.47        |                |
| UCFC 216    | 80   | 240     | 200     | 141.4   | 18    | 23    | 16    | 18    | 42      | 170    | 67.3    | 82.6   | 33.3   | M20  | UC 216                                       | FC216       | 9.15        |                |
| UCFC 216-49 | 3-1/16                                     |         |         |         |       |       |       |       |         |        |         |        |        |      | UC 216-49                                    |             | 9.28        |                |
| UCFC 216-50 | 3-1/8                                      | 9-29/64 | 7-7/8   | 5-9/16  | 23/32 | 29/32 | 5/8   | 23/32 | 1-21/32 | 6.6929 | 2-21/32 | 3.2520 | 1.311  | 3/4  | UC 216-50                                    |             | 9.20        |                |
| UCFC 216-51 | 3-3/16                                     |         |         |         |       |       |       |       |         |        |         |        |        |      | UC 216-51                                    |             | 9.07        |                |
| UCFC 217    | 85   | 250     | 208     | 147.1   | 18    | 23    | 18    | 20    | 45      | 180    | 69.6    | 85.7   | 34.1   | M20  | UC 217                                       | FC217       | 10.81       |                |
| UCFC 217-52 | 3-1/4                                      |         |         |         |       |       |       |       |         |        |         |        |        |      | UC 217-52                                    |             | 11.03       |                |
| UCFC 217-53 | 3-5/16                                     | 9-27/32 | 8-3/16  | 5-51/64 | 23/32 | 29/32 | 23/32 | 25/32 | 1-25/32 | 7.0866 | 2-3/4   | 3.3740 | 1.343  | 3/4  | UC 217-53                                    |             | 10.89       |                |
| UCFC 217-55 | 3-7/16                                     |         |         |         |       |       |       |       |         |        |         |        |        |      | UC 217-55                                    |             | 10.60       |                |
| UCFC 218    | 90   | 265     | 220     | 155.5   | 22    | 23    | 18    | 20    | 50      | 190    | 78.3    | 96     | 39.7   | M20  | UC 218                                       | FC218       | 12.96       |                |
| UCFC 218-56 | 3-1/2                                      | 10-7/16 | 8-21/32 | 6-1/8   | 55/64 | 29/32 | 23/32 | 25/32 | 1-31/32 | 7.4803 | 3-3/32  | 3.7795 | 1.5630 | 3/4  | UC 218-56                                    |             | 13.07       |                |

# Flange Cartridge Units

## NAFC 2 (Normal-duty) (with Eccentric Locking Collar)

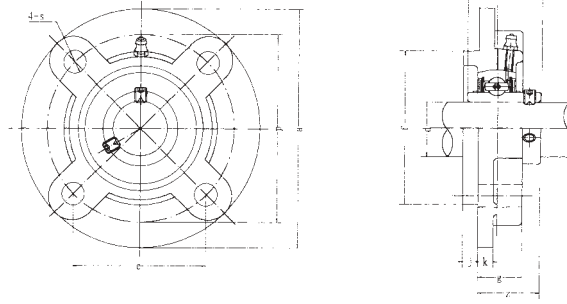


| Unit No.    | Dimensions <sup>mm</sup> / <sub>inch</sub> |         |         |         |       |       |       |       |         |        |         |       |       |      | Bolt Size<br><sup>mm</sup> / <sub>inch</sub> | Bearing No. | Housing No. | Weight<br>(kg) |
|-------------|--|---------|---------|---------|-------|-------|-------|-------|---------|--------|---------|-------|-------|------|--|-------------|-------------|----------------|
|             | d  | a       | p       | e       | i     | S     | j     | k     | g       | f      | z       | B     | n     |      |  |             |             |                |
| NAFC 204    | 20   | 100     | 78      | 55.1    | 10    | 12    | 5     | 7     | 20.5    | 62     | 36.6    | 43.7  | 17.1  | M10  | NA 204                                       | FC204       | 0.76        |                |
| NAFC 204-12 | 3/4  | 3-15/16 | 3-5/64  | 2-11/64 | 25/64 | 15/32 | 13/64 | 9/32  | 13/16   | 2.4409 | 1-7/16  | 0.720 | 0.673 | 3/8  | NA 204-12                                    |             | 0.76        |                |
| NAFC 205    | 25   | 115     | 90      | 63.6    | 10    | 12    | 6     | 7     | 21      | 70     | 36.9    | 44.4  | 17.5  | M10  | NA 205                                       | FC205       | 1.07        |                |
| NAFC 205-13 | 13/16                                      |         |         |         |       |       |       |       |         |        |         |       |       |      | NA 205-13                                    |             | 1.12        |                |
| NAFC 205-14 | 7/8  | 4-17/32 | 3-35/64 | 2-1/2   | 25/64 | 15/32 | 15/64 | 9/32  | 53/64   | 2.7559 | 1-29/64 | 1.748 | 0.689 | 3/8  | NA 205-14                                    |             | 1.11        |                |
| NAFC 205-15 | 15/16                                      |         |         |         |       |       |       |       |         |        |         |       |       |      | NA 205-15                                    |             | 1.09        |                |
| NAFC 205-16 | 1  |         |         |         |       |       |       |       |         |        |         |       |       |      | NA 205-16                                    |             | 1.07        |                |
| NAFC 206    | 30   | 125     | 100     | 70.7    | 10    | 12    | 8     | 8     | 23      | 80     | 40.1    | 48.4  | 18.3  | M10  | NA 206                                       | FC206       | 1.43        |                |
| NAFC 206-17 | 1-1/16                                     |         |         |         |       |       |       |       |         |        |         |       |       |      | NA 206-17                                    |             | 1.48        |                |
| NAFC 206-18 | 1-3/8                                      | 4-59/64 | 3-15/16 | 2-25/32 | 25/64 | 15/32 | 5/16  | 5/16  | 29/32   | 3.1496 | 1-37/64 | 1.906 | 0.720 | 3/8  | NA 206-18                                    |             | 1.45        |                |
| NAFC 206-19 | 1-3/16                                     |         |         |         |       |       |       |       |         |        |         |       |       |      | NA 206-19                                    |             | 1.43        |                |
| NAFC 206-20 | 1-1/4                                      |         |         |         |       |       |       |       |         |        |         |       |       |      | NA 206-20                                    |             | 1.40        |                |
| NAFC 207    | 35   | 135     | 110     | 77.8    | 11    | 14    | 8     | 9     | 26      | 90     | 43.3    | 51.1  | 18.8  | M12  | NA 207                                       | FC207       | 1.93        |                |
| NAFC 207-20 | 1-1/4                                      |         |         |         |       |       |       |       |         |        |         |       |       |      | NA 207-20                                    |             | 2.00        |                |
| NAFC 207-21 | 1-5/16                                     | 1-5/16  | 4-21/64 | 3-1/16  | 7/16  | 35/64 | 5/16  | 23/64 | 1-1/32  | 3.5433 | 1-45/64 | 2.012 | 0.740 | 7/16 | NA 207-21                                    |             | 1.96        |                |
| NAFC 207-22 | 1-3/8                                      |         |         |         |       |       |       |       |         |        |         |       |       |      | NA 207-22                                    |             | 1.93        |                |
| NAFC 207-23 | 1-7/16                                     |         |         |         |       |       |       |       |         |        |         |       |       |      | NA 208-23                                    |             | 1.87        |                |
| NAFC 208    | 40   | 145     | 120     | 84.8    | 11    | 14    | 10    | 9     | 26      | 100    | 45.9    | 56.3  | 21.4  | M12  | NA 208                                       | FC208       | 2.29        |                |
| NAFC 208-24 | 1-1/2                                      |         |         |         |       |       |       |       |         |        |         |       |       |      | NA 208-24                                    |             | 2.34        |                |
| NAFC 208-25 | 1-9/16                                     | 5-45/64 | 4-23/32 | 3-11/32 | 7/16  | 35/64 | 25/64 | 23/64 | 1-1/32  | 3.9370 | 1-13/16 | 2.217 | 0.843 | 7/16 | NA 208-25                                    |             | 2.30        |                |
| NAFC 209    | 45   | 160     | 132     | 93.3    | 10    | 16    | 12    | 14    | 26      | 105    | 44.9    | 56.3  | 21.4  | M14  | NA 209                                       | FC209       | 2.85        |                |
| NAFC 209-26 | 1-5/8                                      |         |         |         |       |       |       |       |         |        |         |       |       |      | NA 209-26                                    |             | 2.96        |                |
| NAFC 209-27 | 1-11/16                                    | 6-19/64 | 5-13/64 | 3-43/64 | 25/64 | 5/8   | 15/32 | 35/64 | 1-1/32  | 4.1339 | 1-49/64 | 2.217 | 0.843 | 1/2  | NA 209-27                                    |             | 2.91        |                |
| NAFC 209-28 | 1-3/4                                      |         |         |         |       |       |       |       |         |        |         |       |       |      | NA 209-28                                    |             | 2.87        |                |
| NAFC 210    | 50   | 165     | 138     | 97.6    | 10    | 16    | 12    | 14    | 28      | 110    | 48.1    | 62.7  | 24.6  | M14  | NA 210                                       |             | F210        | 3.09           |
| NAFC 210-29 | 1-13/16                                    |         |         |         |       |       |       |       |         |        |         |       |       |      | NA 210-29                                    | 3.24        |             |                |
| NAFC 210-30 | 1-7/8                                      | 6-1/2   | 5-7/16  | 3-27/32 | 25/64 | 5/8   | 15/32 | 35/64 | 1-7/64  | 4.3307 | 1-57/64 | 2.469 | 0.969 | 1/2  | NA 210-30                                    | 3.18        |             |                |
| NAFC 210-31 | 1-15/16                                    |         |         |         |       |       |       |       |         |        |         |       |       |      | NA 210-31                                    |             |             |                |
| NAFC 210-32 | 2  |         |         |         |       |       |       |       |         |        |         |       |       |      | NA 210-32                                    | 3.06        |             |                |
| NAFC 211    | 55   | 185     | 150     | 106.1   | 13    | 19    | 12    | 15    | 31      | 125    | 56.6    | 71.4  | 27.8  | M16  | NA 211                                       | F211        | 4.22        |                |
| NAFC 211-32 | 2  |         |         |         |       |       |       |       |         |        |         |       |       |      | NA 211-32                                    |             | 4.42        |                |
| NAFC 211-33 | 2-1/16                                     | 7-9/32  | 5-29/32 | 4-3/16  | 33/64 | 3/4   | 15/32 | 19/32 | 1-7/32  | 4.9213 | 2-15/64 | 2.811 | 1.094 | 5/8  | NA 211-33                                    |             | 4.34        |                |
| NAFC 211-34 | 2-1/8                                      |         |         |         |       |       |       |       |         |        |         |       |       |      | NA 211-34                                    |             | 4.27        |                |
| NAFC 211-35 | 2-3/16                                     |         |         |         |       |       |       |       |         |        |         |       |       |      | NA 211-35                                    |             | 4.19        |                |
| NAFC 212    | 60   | 195     | 160     | 113.1   | 17    | 19    | 12    | 15    | 36      | 135    | 63.8    | 77.8  | 31    | M16  | NA 212                                       | FC212       | 5.28        |                |
| NAFC 212-36 | 2-1/4                                      |         |         |         |       |       |       |       |         |        |         |       |       |      | NA 212-36                                    |             | 5.44        |                |
| NAFC 212-37 | 2-5/8                                      | 7-11/16 | 6-19/64 | 4-29/64 | 43/64 | 3/4   | 15/32 | 19/32 | 1-27/64 | 5.3150 | 2-33/64 | 3.063 | 1.220 | 5/8  | NA 212-37                                    |             | 5.35        |                |
| NAFC 212-38 | 2-3/8                                      |         |         |         |       |       |       |       |         |        |         |       |       |      | NA 212-38                                    |             | 5.30        |                |
| NAFC 212-39 | 2-7/16                                     |         |         |         |       |       |       |       |         |        |         |       |       |      | NA 212-39                                    |             | 5.17        |                |
| NAFC 213    | 65   | 205     | 170     | 120.2   | 16    | 19    | 14    | 15    | 36      | 145    | 67.6    | 85.7  | 34.1  | M16  | NA 213                                       | FC213       | 6.21        |                |
| NAFC 213-40 | 2-1/2                                      | 8-5/64  | 6-11/16 | 4-47/64 | 5/8   | 3/4   | 35/64 | 19/32 | 1-27/64 | 5.5118 | 2-21/32 | 3.374 | 1.343 | 5/8  | NA 214-40                                    |             | 6.31        |                |
| NAFC 213-41 | 2-9/16                                     |         |         |         |       |       |       |       |         |        |         |       |       |      | NA 213-41                                    |             | 6.20        |                |
| NAFC 214    | 70   | 215     | 177     | 125.1   | 17    | 19    | 14    | 18    | 40      | 150    | 68.6    | 85.7  | 34.1  | M16  | NA 214                                       | FC214       | 7.45        |                |
| NAFC 214-42 | 2-3/8                                      |         |         |         |       |       |       |       |         |        |         |       |       |      | NA 214-42                                    |             | 7.69        |                |
| NAFC 214-43 | 2-11/16                                    | 8-15/32 | 6-31/32 | 4-59/64 | 43/64 | 3/4   | 35/64 | 23/32 | 1-37/64 | 5.9055 | 2-45/64 | 3.374 | 1.343 | 5/8  | NA 214-43                                    |             | 7.58        |                |
| NAFC 214-44 | 2-3/4                                      |         |         |         |       |       |       |       |         |        |         |       |       |      | NA 214-44                                    |             | 7.46        |                |
| NAFC 215    | 75   | 220     | 184     | 130.1   | 18    | 19    | 16    | 18    | 40      | 160    | 72.8    | 92.1  | 37.3  | M16  | NA 215                                       | FC215       | 8.19        |                |
| NAFC 215-45 | 2-13/16                                    |         |         |         |       |       |       |       |         |        |         |       |       |      | NA 215-45                                    |             | 8.49        |                |
| NAFC 215-46 | 2-7/8                                      | 8-21/32 | 7-1/4   | 5-1/8   | 23/32 | 3/4   | 5/8   | 23/32 | 1-37/64 | 6.2992 | 2-7/8   | 3.626 | 1.469 | 5/8  | NA 215-46                                    |             | 8.36        |                |
| NAFC 215-47 | 2-15/16                                    |         |         |         |       |       |       |       |         |        |         |       |       |      | NA 215-47                                    |             | 8.23        |                |
| NAFC 215-48 | 3  |         |         |         |       |       |       |       |         |        |         |       |       |      | NA 215-48                                    |             | 8.09        |                |

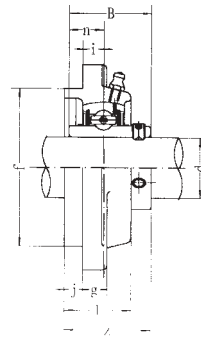
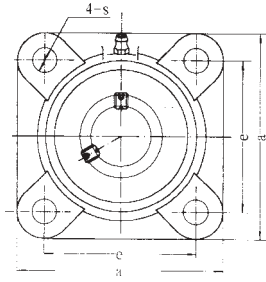


| Unit No. | Dimensions <sup>mm</sup> / <sub>inch</sub> |                                  |                                  |                                  |                               |                               |                               |                               |                                  |        |                                  |                | Bolt Size <sup>mm</sup> / <sub>inch</sub> | Bearing No. | No.                             | Housing No. | Weight (kg) |
|----------|--|----------------------------------|----------------------------------|----------------------------------|-------------------------------|-------------------------------|-------------------------------|-------------------------------|----------------------------------|--------|----------------------------------|----------------|---|-------------|---------------------------------|-------------|-------------|
|          | d  | a                                | p                                | e                                | i                             | s                             | j                             | k                             | g                                | f      | z                                | B <sub>1</sub> |   |             |                                 |             |             |
| UKFC 205 | 20   | 115                              | 90                               | 63.6                             | 10                            | 12                            | 6                             | 7                             | 21                               | 70     | 29.5                             | 35             | M10                                       | UK 205      | H305<br>HE305                   | FC205       | 1.05        |
|          | <sup>3</sup> / <sub>4</sub>                | 4- <sup>17</sup> / <sub>32</sub> | 3- <sup>35</sup> / <sub>64</sub> | 2- <sup>1</sup> / <sub>2</sub>   | <sup>15</sup> / <sub>64</sub> | <sup>15</sup> / <sub>32</sub> | <sup>15</sup> / <sub>64</sub> | 9/32                          | <sup>53</sup> / <sub>64</sub>    | 2.7559 | 1- <sup>5</sup> / <sub>32</sub>  | 1.378          | <sup>3</sup> / <sub>8</sub>               |             |                                 |             |             |
| UKFC 206 | 25   | 125                              | 100                              | 70.7                             | 10                            | 12                            | 8                             | 8                             | 23                               | 80     | 31                               | 38             | M10                                       | UK206       | H306<br>HS306<br>HE306          | FC206       | 1.34        |
|          | <sup>7</sup> / <sub>8</sub>                | 4- <sup>59</sup> / <sub>64</sub> | 3- <sup>15</sup> / <sub>16</sub> | 2- <sup>25</sup> / <sub>32</sub> | <sup>25</sup> / <sub>64</sub> | <sup>15</sup> / <sub>32</sub> | <sup>5</sup> / <sub>16</sub>  | <sup>5</sup> / <sub>16</sub>  | <sup>29</sup> / <sub>32</sub>    | 3.1496 | 1- <sup>7</sup> / <sub>32</sub>  | 1.496          | <sup>3</sup> / <sub>8</sub>               |             |                                 |             |             |
|          | 1  |                                  |                                  |                                  |                               |                               |                               |                               |                                  |        |                                  |                |   |             |                                 |             |             |
| UKFC 207 | 30   | 135                              | 110                              | 77.8                             | 11                            | 14                            | 8                             | 9                             | 26                               | 90     | 33.5                             | 43             | M12                                       | UK207       | H307<br>HS307                   | FC207       | 1.90        |
|          | 1- <sup>1</sup> / <sub>8</sub>             | 5- <sup>5</sup> / <sub>16</sub>  | 4- <sup>21</sup> / <sub>64</sub> | 3- <sup>1</sup> / <sub>16</sub>  | <sup>7</sup> / <sub>16</sub>  | <sup>35</sup> / <sub>64</sub> | <sup>5</sup> / <sub>16</sub>  | <sup>23</sup> / <sub>64</sub> | 1- <sup>1</sup> / <sub>32</sub>  | 3.5433 | 1- <sup>5</sup> / <sub>16</sub>  | 1.693          | <sup>7</sup> / <sub>16</sub>              |             |                                 |             |             |
| UKFC 208 | 35   | 145                              | 120                              | 84.8                             | 11                            | 14                            | 10                            | 9                             | 26                               | 100    | 35.5                             | 46             | M12                                       | UK208       | H308<br>HS308<br>HS308          | FC208       | 2.24        |
|          | 1- <sup>1</sup> / <sub>4</sub>             | 5- <sup>45</sup> / <sub>64</sub> | 4- <sup>23</sup> / <sub>32</sub> | 3- <sup>1</sup> / <sub>32</sub>  | <sup>7</sup> / <sub>16</sub>  | <sup>35</sup> / <sub>64</sub> | <sup>25</sup> / <sub>64</sub> | <sup>23</sup> / <sub>64</sub> | 1- <sup>1</sup> / <sub>32</sub>  | 3.9370 | 1- <sup>25</sup> / <sub>64</sub> | 1.811          | <sup>7</sup> / <sub>16</sub>              |             |                                 |             |             |
| UKFC 209 | 40   | 160                              | 132                              | 93.3                             | 10                            | 16                            | 12                            | 14                            | 26                               | 105    | 36                               | 50             | M14                                       | UK 209      | H309<br>HA309<br>HE309<br>HS309 | FC209       | 2.83        |
|          | 1- <sup>7</sup> / <sub>16</sub>            |                                  |                                  |                                  |                               |                               |                               |                               |                                  |        |                                  |                |   |             |                                 |             |             |
|          | 1- <sup>1</sup> / <sub>2</sub>             | 6- <sup>19</sup> / <sub>64</sub> | 5- <sup>13</sup> / <sub>64</sub> | 3- <sup>43</sup> / <sub>64</sub> | <sup>25</sup> / <sub>64</sub> | <sup>5</sup> / <sub>8</sub>   | <sup>15</sup> / <sub>32</sub> | <sup>35</sup> / <sub>64</sub> | 1- <sup>1</sup> / <sub>32</sub>  | 4.1339 | 1- <sup>27</sup> / <sub>64</sub> | 1.969          | 1- <sup>1</sup> / <sub>2</sub>            |             |                                 |             |             |
| UKFC 210 | 45   | 165                              | 138                              | 97.6                             | 10                            | 16                            | 12                            | 14                            | 28                               | 110    | 37.5                             | 55             | M14                                       | UK 210      | H310<br>HS310<br>HA310<br>HE310 | FC210       | 3.07        |
|          | 1- <sup>5</sup> / <sub>8</sub>             |                                  |                                  |                                  |                               |                               |                               |                               |                                  |        |                                  |                |   |             |                                 |             |             |
|          | 1- <sup>11</sup> / <sub>16</sub>           | 6- <sup>1</sup> / <sub>2</sub>   | 5- <sup>7</sup> / <sub>16</sub>  | 3- <sup>27</sup> / <sub>32</sub> | <sup>25</sup> / <sub>64</sub> | <sup>5</sup> / <sub>8</sub>   | <sup>15</sup> / <sub>32</sub> | <sup>35</sup> / <sub>64</sub> | 1- <sup>7</sup> / <sub>64</sub>  | 4.3307 | 1- <sup>15</sup> / <sub>32</sub> | 2.165          | <sup>1</sup> / <sub>2</sub>               |             |                                 |             |             |
| UKFC 211 | 50   | 185                              | 150                              | 106.1                            | 13                            | 19                            | 12                            | 15                            | 31                               | 125    | 41.5                             | 59             | M16                                       | UK 211      | H311<br>HS311<br>HA311<br>HE311 | FC211       | 4.16        |
|          | 1- <sup>7</sup> / <sub>8</sub>             |                                  |                                  |                                  |                               |                               |                               |                               |                                  |        |                                  |                |   |             |                                 |             |             |
|          | 1- <sup>15</sup> / <sub>16</sub>           | 7- <sup>9</sup> / <sub>32</sub>  | 5- <sup>29</sup> / <sub>32</sub> | 4- <sup>3</sup> / <sub>16</sub>  | <sup>33</sup> / <sub>64</sub> | <sup>3</sup> / <sub>4</sub>   | <sup>15</sup> / <sub>32</sub> | <sup>19</sup> / <sub>32</sub> | 1- <sup>7</sup> / <sub>32</sub>  | 4.9213 | 1- <sup>41</sup> / <sub>64</sub> | 2.323          | <sup>5</sup> / <sub>8</sub>               |             |                                 |             |             |
| UKFC 212 | 55   | 195                              | 160                              | 113.1                            | 17                            | 19                            | 12                            | 15                            | 36                               | 135    | 48                               | 62             | M16                                       | UK 212      | H312<br>HS312                   | FC212       | 4.99        |
|          | 2- <sup>1</sup> / <sub>8</sub>             | 7- <sup>11</sup> / <sub>16</sub> | 6- <sup>19</sup> / <sub>64</sub> | 4- <sup>29</sup> / <sub>64</sub> | <sup>43</sup> / <sub>64</sub> | <sup>3</sup> / <sub>4</sub>   | <sup>15</sup> / <sub>32</sub> | <sup>19</sup> / <sub>32</sub> | 1- <sup>27</sup> / <sub>64</sub> | 5.3150 | 1- <sup>57</sup> / <sub>64</sub> | 2.441          | <sup>5</sup> / <sub>8</sub>               |             |                                 |             |             |
| UKFC 213 | 60   | 205                              | 170                              | 120.2                            | 16                            | 19                            | 14                            | 15                            | 36                               | 145    | 49                               | 65             | M16                                       | UK 213      | H313<br>HA313<br>HE313<br>HS313 | FC213       | 5.56        |
|          | 2- <sup>3</sup> / <sub>16</sub>            |                                  |                                  |                                  |                               |                               |                               |                               |                                  |        |                                  |                |   |             |                                 |             |             |
|          | 2- <sup>1</sup> / <sub>4</sub>             | 8- <sup>5</sup> / <sub>64</sub>  | 6- <sup>11</sup> / <sub>16</sub> | 4- <sup>47</sup> / <sub>64</sub> | <sup>5</sup> / <sub>8</sub>   | <sup>3</sup> / <sub>4</sub>   | <sup>35</sup> / <sub>64</sub> | <sup>19</sup> / <sub>32</sub> | 1- <sup>27</sup> / <sub>64</sub> | 5.5118 | 1- <sup>15</sup> / <sub>16</sub> | 2.559          | <sup>5</sup> / <sub>8</sub>               |             |                                 |             |             |
| UKFC 215 | 65   | 220                              | 184                              | 130.1                            | 18                            | 19                            | 16                            | 18                            | 40                               | 160    | 53.5                             | 73             | M16                                       | UK 215      | H315<br>HA315<br>HE315          | FC215       | 7.67        |
|          | 2- <sup>7</sup> / <sub>16</sub>            | 8- <sup>21</sup> / <sub>32</sub> | 7- <sup>1</sup> / <sub>4</sub>   | 5- <sup>1</sup> / <sub>8</sub>   | <sup>23</sup> / <sub>32</sub> | <sup>3</sup> / <sub>4</sub>   | <sup>5</sup> / <sub>8</sub>   | <sup>23</sup> / <sub>32</sub> | 1- <sup>37</sup> / <sub>64</sub> | 6.2992 | 2- <sup>7</sup> / <sub>64</sub>  | 2.874          | <sup>5</sup> / <sub>8</sub>               |             |                                 |             |             |
|          | 2- <sup>1</sup> / <sub>2</sub>             |                                  |                                  |                                  |                               |                               |                               |                               |                                  |        |                                  |                |   |             |                                 |             |             |
| UKFC 216 | 70   | 240                              | 200                              | 141.4                            | 18                            | 23                            | 16                            | 18                            | 42                               | 170    | 57                               | 78             | M20                                       | UK 216      | H316<br>HA316<br>HE316          | FC216       | 9.41        |
|          | 2- <sup>11</sup> / <sub>16</sub>           | 9- <sup>29</sup> / <sub>64</sub> | 7- <sup>7</sup> / <sub>8</sub>   | 5- <sup>9</sup> / <sub>16</sub>  | <sup>23</sup> / <sub>32</sub> | <sup>29</sup> / <sub>32</sub> | <sup>5</sup> / <sub>8</sub>   | <sup>23</sup> / <sub>32</sub> | 1- <sup>21</sup> / <sub>32</sub> | 6.6929 | 2- <sup>1</sup> / <sub>4</sub>   | 3.071          | <sup>3</sup> / <sub>4</sub>               |             |                                 |             |             |
|          | 2- <sup>3</sup> / <sub>4</sub>             |                                  |                                  |                                  |                               |                               |                               |                               |                                  |        |                                  |                |   |             |                                 |             |             |
| UKFC 217 | 75   | 250                              | 208                              | 147.1                            | 18                            | 23                            | 18                            | 20                            | 45                               | 180    | 59                               | 82             | M20                                       | UK 217      | H317<br>HA317<br>HE317          | FC217       | 11.23       |
|          | 2- <sup>15</sup> / <sub>16</sub>           | 9- <sup>27</sup> / <sub>32</sub> | 8- <sup>3</sup> / <sub>16</sub>  | 5- <sup>51</sup> / <sub>64</sub> | <sup>23</sup> / <sub>32</sub> | <sup>29</sup> / <sub>32</sub> | <sup>23</sup> / <sub>32</sub> | <sup>25</sup> / <sub>32</sub> | 1- <sup>25</sup> / <sub>32</sub> | 7.0866 | 2- <sup>21</sup> / <sub>64</sub> | 3.228          | <sup>3</sup> / <sub>4</sub>               |             |                                 |             |             |
|          | 3  |                                  |                                  |                                  |                               |                               |                               |                               |                                  |        |                                  |                |   |             |                                 |             |             |
| UKFC 218 | 80   | 265                              | 220                              | 155.5                            | 22                            | 23                            | 18                            | 20                            | 50                               | 190    | 64.5                             | 86             | M20                                       | UK 218      | H318<br>HA318                   | FC218       | 13.34       |
|          | 3- <sup>3</sup> / <sub>16</sub>            | 10- <sup>7</sup> / <sub>16</sub> | 8- <sup>21</sup> / <sub>32</sub> | 6- <sup>1</sup> / <sub>8</sub>   | <sup>55</sup> / <sub>64</sub> | <sup>29</sup> / <sub>32</sub> | <sup>23</sup> / <sub>32</sub> | <sup>25</sup> / <sub>32</sub> | 1- <sup>31</sup> / <sub>32</sub> | 7.4803 | 3- <sup>35</sup> / <sub>64</sub> | 3.386          | <sup>3</sup> / <sub>4</sub>               |             |                                 |             |             |

# Flange Cartridge Units



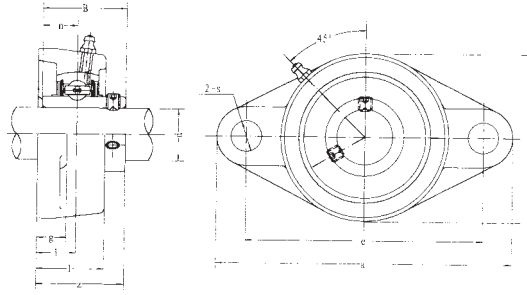
| Unit No.    | Dimensions <sup>mm</sup> / <sub>inch</sub> |                                 |                                  |                                  |                               |                               |                               |                              |                                  |        |                                  |        |        |                              | Bolt Size <sup>mm</sup> / <sub>inch</sub> | Bearing No. | Housing No. | Weight (kg) |
|-------------|--|---------------------------------|----------------------------------|----------------------------------|-------------------------------|-------------------------------|-------------------------------|------------------------------|----------------------------------|--------|----------------------------------|--------|--------|------------------------------|---|-------------|-------------|-------------|
|             | d  | a                               | p                                | e                                | i                             | s                             | j                             | k                            | g                                | f      | z                                | B      | n      |                              |   |             |             |             |
| UCFCX 05    | 25   | 111                             | 92                               | 65                               | 10                            | 9.5                           | 6                             | 9.5                          | 24                               | 76     | 32.2                             | 38.1   | 15.9   | M8                           | UCX05                                     | FCX05       | 1.2         |             |
| UCFCX 05-13 | <sup>13</sup> / <sub>16</sub>              |                                 |                                  |                                  |                               |                               |                               |                              |                                  |        |                                  |        |        |                              | UCX05-13                                  |             |             |             |
| UCFCX 05-14 | <sup>7</sup> / <sub>8</sub>                | 4- <sup>3</sup> / <sub>8</sub>  | 3- <sup>5</sup> / <sub>8</sub>   | 2- <sup>9</sup> / <sub>16</sub>  | <sup>25</sup> / <sub>64</sub> | <sup>3</sup> / <sub>8</sub>   | <sup>15</sup> / <sub>64</sub> | <sup>3</sup> / <sub>8</sub>  | <sup>15</sup> / <sub>16</sub>    | 2.9921 | 1- <sup>9</sup> / <sub>32</sub>  | 1.5000 | 0.626  | <sup>5</sup> / <sub>16</sub> | UCX05-14                                  |             |             |             |
| UCFCX 05-15 | <sup>15</sup> / <sub>16</sub>              |                                 |                                  |                                  |                               |                               |                               |                              |                                  |        |                                  |        |        |                              | UCX05-15                                  |             |             |             |
| UCFCX 05-16 | 1  |                                 |                                  |                                  |                               |                               |                               |                              |                                  |        |                                  |        |        |                              | UCX05-16                                  |             |             |             |
| UCFCX 06    | 30   | 127                             | 105                              | 74.2                             | 8                             | 12                            | 9.5                           | 9.5                          | 22.5                             | 85     | 33.4                             | 42.9   | 17.5   | M10                          | UCX06                                     | FCX06       | 1.5         |             |
| UCFCX 06-17 | 1- <sup>1</sup> / <sub>16</sub>            |                                 |                                  |                                  |                               |                               |                               |                              |                                  |        |                                  |        |        |                              | UCX06-17                                  |             |             |             |
| UCFCX 06-18 | 1- <sup>1</sup> / <sub>8</sub>             | 5                               | 4- <sup>9</sup> / <sub>64</sub>  | 2- <sup>59</sup> / <sub>64</sub> | <sup>5</sup> / <sub>16</sub>  | <sup>15</sup> / <sub>32</sub> | <sup>3</sup> / <sub>8</sub>   | <sup>3</sup> / <sub>8</sub>  | <sup>7</sup> / <sub>8</sub>      | 3.3465 | 1- <sup>5</sup> / <sub>16</sub>  | 1.6890 | 0.689  | <sup>3</sup> / <sub>8</sub>  | UCX06-18                                  |             |             |             |
| UCFCX 06-19 | 1- <sup>3</sup> / <sub>16</sub>            |                                 |                                  |                                  |                               |                               |                               |                              |                                  |        |                                  |        |        |                              | UCX06-19                                  |             |             |             |
| UCFCX 06-20 | 1- <sup>1</sup> / <sub>4</sub>             |                                 |                                  |                                  |                               |                               |                               |                              |                                  |        |                                  |        |        |                              | UCX06-20                                  |             |             |             |
| UCFCX 07    | 35   | 133                             | 111                              | 78.5                             | 9                             | 12                            | 11                            | 11                           | 26                               | 92     | 39.2                             | 49.2   | 19     | M10                          | UCX07                                     | FCX07       | 1.9         |             |
| UCFCX 07-21 | 1- <sup>5</sup> / <sub>16</sub>            |                                 |                                  |                                  |                               |                               |                               |                              |                                  |        |                                  |        |        |                              | UCX07-21                                  |             |             |             |
| UCFCX 07-22 | 1- <sup>3</sup> / <sub>8</sub>             | 5- <sup>1</sup> / <sub>4</sub>  | 4- <sup>3</sup> / <sub>8</sub>   | 3- <sup>3</sup> / <sub>32</sub>  | <sup>23</sup> / <sub>64</sub> | <sup>15</sup> / <sub>32</sub> | <sup>7</sup> / <sub>16</sub>  | <sup>7</sup> / <sub>16</sub> | 1- <sup>1</sup> / <sub>32</sub>  | 3.6220 | 1- <sup>17</sup> / <sub>32</sub> | 1.9370 | 0.748  | <sup>3</sup> / <sub>8</sub>  | UCX07-22                                  |             |             |             |
| UCFCX 07-23 | 1- <sup>7</sup> / <sub>16</sub>            |                                 |                                  |                                  |                               |                               |                               |                              |                                  |        |                                  |        |        |                              | UCX07-23                                  |             |             |             |
| UCFCX 08    | 40   | 133                             | 111                              | 78.5                             | 9                             | 12                            | 11                            | 11                           | 26                               | 92     | 39.2                             | 49.2   | 19     | M10                          | UCX08                                     | FCX08       | 2.0         |             |
| UCFCX 08-24 | 1- <sup>1</sup> / <sub>2</sub>             | 5- <sup>1</sup> / <sub>4</sub>  | 4- <sup>3</sup> / <sub>8</sub>   | 3- <sup>3</sup> / <sub>32</sub>  | <sup>23</sup> / <sub>64</sub> | <sup>15</sup> / <sub>32</sub> | <sup>7</sup> / <sub>16</sub>  | <sup>7</sup> / <sub>16</sub> | 1- <sup>1</sup> / <sub>32</sub>  | 3.6220 | 1- <sup>17</sup> / <sub>32</sub> | 1.9370 | 0.748  | <sup>3</sup> / <sub>8</sub>  | UCX08-24                                  |             |             |             |
| UCFCX 08-25 | 1- <sup>9</sup> / <sub>16</sub>            |                                 |                                  |                                  |                               |                               |                               |                              |                                  |        |                                  |        |        |                              | UCX08-25                                  |             |             |             |
| UCFCX 09    | 45   | 155                             | 130                              | 91.9                             | 8                             | 14                            | 12                            | 11                           | 25                               | 108    | 40.6                             | 51.6   | 19     | M12                          | UCX09                                     | FCX09       | 2.6         |             |
| UCFCX 09-26 | 1- <sup>5</sup> / <sub>8</sub>             |                                 |                                  |                                  |                               |                               |                               |                              |                                  |        |                                  |        |        |                              | UCX09-26                                  |             |             |             |
| UCFCX 09-27 | 1- <sup>11</sup> / <sub>16</sub>           | 6- <sup>3</sup> / <sub>32</sub> | 5- <sup>1</sup> / <sub>8</sub>   | 3- <sup>5</sup> / <sub>8</sub>   | <sup>5</sup> / <sub>16</sub>  | <sup>35</sup> / <sub>64</sub> | <sup>15</sup> / <sub>32</sub> | <sup>7</sup> / <sub>16</sub> | <sup>63</sup> / <sub>64</sub>    | 4.2520 | 1- <sup>19</sup> / <sub>32</sub> | 2.0315 | 0.748  | <sup>7</sup> / <sub>16</sub> | UCX09-27                                  |             |             |             |
| UCFCX 09-28 | 1- <sup>3</sup> / <sub>4</sub>             |                                 |                                  |                                  |                               |                               |                               |                              |                                  |        |                                  |        |        |                              | UCX09-28                                  |             |             |             |
| UCFCX 09-29 | 1- <sup>13</sup> / <sub>16</sub>           |                                 |                                  |                                  |                               |                               |                               |                              |                                  |        |                                  |        |        |                              | UCX09-29                                  |             |             |             |
| UCFCX 10    | 50   | 162                             | 136                              | 96.2                             | 7                             | 14                            | 16                            | 11                           | 25                               | 118    | 40.4                             | 55.6   | 22.2   | M12                          | UCX10                                     | FCX10       | 3.2         |             |
| UCFCX 10-30 | 1- <sup>7</sup> / <sub>8</sub>             |                                 |                                  |                                  |                               |                               |                               |                              |                                  |        |                                  |        |        |                              | UCX10-30                                  |             |             |             |
| UCFCX 10-31 | 1- <sup>15</sup> / <sub>16</sub>           | 6- <sup>3</sup> / <sub>8</sub>  | 5- <sup>23</sup> / <sub>64</sub> | 3- <sup>25</sup> / <sub>32</sub> | <sup>9</sup> / <sub>32</sub>  | <sup>35</sup> / <sub>64</sub> | <sup>5</sup> / <sub>8</sub>   | <sup>7</sup> / <sub>16</sub> | <sup>63</sup> / <sub>64</sub>    | 4.6457 | 1- <sup>19</sup> / <sub>32</sub> | 2.1890 | 0.874  | <sup>7</sup> / <sub>16</sub> | UCX10-31                                  |             |             |             |
| UCFCX 10-32 | 2  |                                 |                                  |                                  |                               |                               |                               |                              |                                  |        |                                  |        |        |                              | UCX10-32                                  |             |             |             |
| UCFCX 11    | 55   | 180                             | 152                              | 107.5                            | 4                             | 16                            | 22                            | 13                           | 26                               | 127    | 43.7                             | 65.1   | 25.4   | M14                          | UCX 11                                    | FCX11       | 4.3         |             |
| UCFCX 11-33 | 2- <sup>1</sup> / <sub>16</sub>            |                                 |                                  |                                  |                               |                               |                               |                              |                                  |        |                                  |        |        |                              | UCX 11-33                                 |             |             |             |
| UCFCX 11-34 | 2- <sup>1</sup> / <sub>8</sub>             |                                 |                                  |                                  |                               |                               |                               |                              |                                  |        |                                  |        |        |                              | UCX 11-34                                 |             |             |             |
| UCFCX 11-35 | 2- <sup>3</sup> / <sub>16</sub>            | 7- <sup>3</sup> / <sub>32</sub> | 5- <sup>63</sup> / <sub>64</sub> | 4- <sup>15</sup> / <sub>64</sub> | <sup>5</sup> / <sub>32</sub>  | <sup>5</sup> / <sub>8</sub>   | <sup>55</sup> / <sub>64</sub> | <sup>1</sup> / <sub>2</sub>  | 1- <sup>1</sup> / <sub>32</sub>  | 5.0000 | 1- <sup>23</sup> / <sub>32</sub> | 2.5630 | 1.000  | <sup>1</sup> / <sub>2</sub>  | UCX 11-35                                 |             |             |             |
| UCFCX 11-36 | 2- <sup>5</sup> / <sub>16</sub>            |                                 |                                  |                                  |                               |                               |                               |                              |                                  |        |                                  |        |        |                              | UC 211-36                                 |             |             |             |
| UCFCX 11-37 |  |                                 |                                  |                                  |                               |                               |                               |                              |                                  |        |                                  |        |        |                              | UC 211-37                                 |             |             |             |
| UCFCX 12    | 60   | 194                             | 165                              | 116.7                            | 11                            | 16                            | 20                            | 14                           | 33                               | 140    | 50.7                             | 65.1   | 25.4   | M14                          | UCX 12                                    | FCX12       | 5.3         |             |
| UCFCX 12-38 | 2- <sup>3</sup> / <sub>8</sub>             | 7- <sup>5</sup> / <sub>8</sub>  | 6- <sup>1</sup> / <sub>2</sub>   | 4- <sup>19</sup> / <sub>32</sub> | <sup>7</sup> / <sub>16</sub>  | <sup>5</sup> / <sub>8</sub>   | <sup>25</sup> / <sub>32</sub> | <sup>9</sup> / <sub>16</sub> | 1- <sup>5</sup> / <sub>16</sub>  | 5.5118 | 2                                | 2.5630 | 1.000  | <sup>1</sup> / <sub>2</sub>  | UCX 12-38                                 |             |             |             |
| UCFCX 12-39 | 2- <sup>7</sup> / <sub>16</sub>            |                                 |                                  |                                  |                               |                               |                               |                              |                                  |        |                                  |        |        |                              | UCX 12-39                                 |             |             |             |
| UCFCX 13    | 65   | 194                             | 165                              | 116.7                            | 11                            | 16                            | 20                            | 14                           | 33                               | 140    | 55.4                             | 74.6   | 30.2   | M14                          | UCX 13                                    | FCX13       | 5.7         |             |
| UCFCX 13-40 | 2- <sup>1</sup> / <sub>2</sub>             | 7- <sup>5</sup> / <sub>8</sub>  | 6- <sup>1</sup> / <sub>2</sub>   | 4- <sup>19</sup> / <sub>32</sub> | <sup>7</sup> / <sub>16</sub>  | <sup>5</sup> / <sub>8</sub>   | <sup>25</sup> / <sub>32</sub> | <sup>9</sup> / <sub>16</sub> | 1- <sup>5</sup> / <sub>16</sub>  | 5.5118 | 2- <sup>3</sup> / <sub>16</sub>  | 2.9370 | 1.189  | <sup>1</sup> / <sub>2</sub>  | UCX 13-40                                 |             |             |             |
| UCFCX 13-41 | 2- <sup>9</sup> / <sub>16</sub>            |                                 |                                  |                                  |                               |                               |                               |                              |                                  |        |                                  |        |        |                              | UCX 13-41                                 |             |             |             |
| UCFCX 14    | 70   | 222                             | 190                              | 134.3                            | 14                            | 19                            | 20                            | 14                           | 36                               | 164    | 58.5                             | 77.8   | 33.3   | M16                          | UCX 14                                    | FCX14       | 7.3         |             |
| UCFCX 14-42 | 2- <sup>5</sup> / <sub>8</sub>             |                                 |                                  |                                  |                               |                               |                               |                              |                                  |        |                                  |        |        |                              | UCX 14-42                                 |             |             |             |
| UCFCX 14-43 | 2- <sup>1</sup> / <sub>16</sub>            | 8- <sup>3</sup> / <sub>4</sub>  | 7- <sup>31</sup> / <sub>64</sub> | 5- <sup>9</sup> / <sub>32</sub>  | <sup>35</sup> / <sub>64</sub> | <sup>3</sup> / <sub>4</sub>   | <sup>25</sup> / <sub>32</sub> | <sup>9</sup> / <sub>16</sub> | 1- <sup>13</sup> / <sub>32</sub> | 6.4567 | 2- <sup>5</sup> / <sub>16</sub>  | 3.0630 | 1.311  | <sup>5</sup> / <sub>8</sub>  | UCX 14-43                                 |             |             |             |
| UCFCX 14-44 | 2- <sup>3</sup> / <sub>4</sub>             |                                 |                                  |                                  |                               |                               |                               |                              |                                  |        |                                  |        |        |                              | UCX 14-44                                 |             |             |             |
| UCFCX 15    | 75   | 222                             | 190                              | 134.3                            | 12                            | 19                            | 22                            | 16                           | 35                               | 164    | 61.3                             | 82.6   | 33.3   | M16                          | UCX 15                                    | FCX15       | 8           |             |
| UCFCX 15-45 | 2- <sup>13</sup> / <sub>16</sub>           |                                 |                                  |                                  |                               |                               |                               |                              |                                  |        |                                  |        |        |                              | UCX 15-45                                 |             |             |             |
| UCFCX 15-46 | 2- <sup>7</sup> / <sub>8</sub>             | 8- <sup>3</sup> / <sub>4</sub>  | 7- <sup>31</sup> / <sub>64</sub> | 5- <sup>9</sup> / <sub>32</sub>  | <sup>15</sup> / <sub>32</sub> | <sup>3</sup> / <sub>4</sub>   | <sup>55</sup> / <sub>64</sub> | <sup>5</sup> / <sub>8</sub>  | 1- <sup>3</sup> / <sub>8</sub>   | 6.4567 | 2- <sup>13</sup> / <sub>32</sub> | 3.2520 | 1.311  | <sup>5</sup> / <sub>8</sub>  | UCX 15-46                                 |             |             |             |
| UCFCX 15-47 | 2- <sup>15</sup> / <sub>16</sub>           |                                 |                                  |                                  |                               |                               |                               |                              |                                  |        |                                  |        |        |                              | UCX 15-47                                 |             |             |             |
| UCFCX 15-48 | 3  |                                 |                                  |                                  |                               |                               |                               |                              |                                  |        |                                  |        |        |                              | UCX 15-48                                 |             |             |             |
| UCFCX 16    | 80   | 260                             | 219                              | 154.8                            | 10                            | 23                            | 25                            | 19                           | 36                               | 186    | 61.6                             | 85.7   | 34.1   | M20                          | UCX 16                                    | FCX16       | 11.3        |             |
| UCFCX 16-49 | 3- <sup>1</sup> / <sub>16</sub>            |                                 |                                  |                                  |                               |                               |                               |                              |                                  |        |                                  |        |        |                              | UCX 16-49                                 |             |             |             |
| UCFCX 16-50 | 3- <sup>1</sup> / <sub>8</sub>             | 10- <sup>1</sup> / <sub>4</sub> | 8- <sup>5</sup> / <sub>8</sub>   | 6- <sup>3</sup> / <sub>32</sub>  | <sup>25</sup> / <sub>64</sub> | <sup>29</sup> / <sub>32</sub> | <sup>63</sup> / <sub>64</sub> | <sup>3</sup> / <sub>4</sub>  | 1- <sup>13</sup> / <sub>32</sub> | 7.3228 | 2- <sup>7</sup> / <sub>16</sub>  | 3.3740 | 1.343  | <sup>3</sup> / <sub>4</sub>  | UCX 16-50                                 |             |             |             |
| UCFCX 16-51 | 3- <sup>3</sup> / <sub>16</sub>            |                                 |                                  |                                  |                               |                               |                               |                              |                                  |        |                                  |        |        |                              | UCX 16-51                                 |             |             |             |
| UCFCX 16-52 | 3- <sup>1</sup> / <sub>4</sub>             |                                 |                                  |                                  |                               |                               |                               |                              |                                  |        |                                  |        |        |                              | UCX 16-52                                 |             |             |             |
| UCFCX 17    | 85   | 260                             | 219                              | 154.8                            | 10                            | 23                            | 25                            | 19                           | 36                               | 186    | 66.3                             | 96     | 39.7   | M20                          | UCX 17                                    | FCX17       | 12.9        |             |
| UCFCX 17-53 | 3- <sup>5</sup> / <sub>16</sub>            | 10- <sup>1</sup> / <sub>4</sub> | 8- <sup>5</sup> / <sub>8</sub>   | 6- <sup>3</sup> / <sub>32</sub>  | <sup>25</sup> / <sub>64</sub> | <sup>29</sup> / <sub>32</sub> | <sup>63</sup> / <sub>64</sub> | <sup>3</sup> / <sub>4</sub>  | 1- <sup>13</sup> / <sub>32</sub> | 7.3228 | 2- <sup>5</sup> / <sub>8</sub>   | 3.7795 | 1.5630 | <sup>3</sup> / <sub>4</sub>  | UCX 17-53                                 |             |             |             |
| UCFCX 17-55 | 3- <sup>7</sup> / <sub>16</sub>            |                                 |                                  |                                  |                               |                               |                               |                              |                                  |        |                                  |        |        |                              | UCX 17-55                                 |             |             |             |



| Unit No.    | Dimensions <sup>mm</sup> / <sub>inch</sub> |                                  |                                  |                               |                               |                               |                               |                                  |        |                                  |        |                | Bolt Size <sup>mm</sup> / <sub>inch</sub> | Bearing No. | Housing No. | Weight (kg) |
|-------------|--|----------------------------------|----------------------------------|-------------------------------|-------------------------------|-------------------------------|-------------------------------|----------------------------------|--------|----------------------------------|--------|----------------|---|-------------|-------------|-------------|
|             | d  | a                                | p                                | e                             | i                             | s                             | j                             | k                                | g      | f                                | z      | B <sub>1</sub> |   |             |             |             |
| UCFS 305    | 25   | 110                              | 80                               | 9                             | 16                            | 7                             | 13                            | 29                               | 80     | 39                               | 38     | 15             | M14                                       | UC 305      | FS305       | 1.3         |
| UCFS 305-13 | <sup>13</sup> / <sub>16</sub>              |                                  |                                  |                               |                               |                               |                               |                                  |        |                                  |        |                |   | UC 305-13   |             |             |
| UCFS 305-14 | <sup>7</sup> / <sub>8</sub>                | 4- <sup>11</sup> / <sub>32</sub> | 3- <sup>5</sup> / <sub>32</sub>  | <sup>23</sup> / <sub>64</sub> | <sup>5</sup> / <sub>8</sub>   | <sup>9</sup> / <sub>32</sub>  | <sup>1</sup> / <sub>2</sub>   | 1- <sup>9</sup> / <sub>64</sub>  | 3.1496 | 1- <sup>17</sup> / <sub>32</sub> | 1.4961 | 0.591          | <sup>1</sup> / <sub>2</sub>               | UC 305-14   |             |             |
| UCFS 305-15 | <sup>15</sup> / <sub>16</sub>              |                                  |                                  |                               |                               |                               |                               |                                  |        |                                  |        |                |   | UC 305-15   |             |             |
| UCFS 305-16 | 1  |                                  |                                  |                               |                               |                               |                               |                                  |        |                                  |        |                |   | UC 305-16   |             |             |
| UCFS 306    | 30   | 125                              | 95                               | 10                            | 16                            | 8                             | 15                            | 32                               | 90     | 44                               | 43     | 17             | M14                                       | UC 306      | FS306       | 1.9         |
| UCFS 306-17 | 1- <sup>1</sup> / <sub>16</sub>            |                                  |                                  |                               |                               |                               |                               |                                  |        |                                  |        |                |   | UC 306-17   |             |             |
| UCFS 306-18 | 1- <sup>1</sup> / <sub>8</sub>             | 4- <sup>29</sup> / <sub>32</sub> | 3- <sup>47</sup> / <sub>64</sub> | <sup>25</sup> / <sub>64</sub> | <sup>5</sup> / <sub>8</sub>   | <sup>5</sup> / <sub>16</sub>  | <sup>19</sup> / <sub>32</sub> | 1- <sup>17</sup> / <sub>64</sub> | 3.5433 | 4- <sup>47</sup> / <sub>64</sub> | 1.6929 | 0.669          | <sup>1</sup> / <sub>2</sub>               | UC 306-18   |             |             |
| UCFS 306-19 | 1- <sup>3</sup> / <sub>16</sub>            |                                  |                                  |                               |                               |                               |                               |                                  |        |                                  |        |                |   | UC 306-19   |             |             |
| UCFS 307    | 35   | 135                              | 100                              | 11                            | 19                            | 9                             | 16                            | 36                               | 100    | 49                               | 48     | 19             | M16                                       | UC 307      | FS307       |             |
| UCFS 307-20 | 1- <sup>1</sup> / <sub>4</sub>             |                                  |                                  |                               |                               |                               |                               |                                  |        |                                  |        |                |   | UC 307-20   |             |             |
| UCFS 307-21 | 1- <sup>5</sup> / <sub>16</sub>            | 5- <sup>5</sup> / <sub>16</sub>  | 3- <sup>15</sup> / <sub>16</sub> | <sup>7</sup> / <sub>16</sub>  | <sup>3</sup> / <sub>4</sub>   | <sup>23</sup> / <sub>64</sub> | <sup>5</sup> / <sub>8</sub>   | 1- <sup>13</sup> / <sub>32</sub> | 3.9730 | 1- <sup>59</sup> / <sub>64</sub> | 1.8898 | 0.748          | <sup>5</sup> / <sub>8</sub>               | UC 307-21   |             |             |
| UCFS 307-22 | 1- <sup>3</sup> / <sub>8</sub>             |                                  |                                  |                               |                               |                               |                               |                                  |        |                                  |        |                |   | UC 307-22   |             |             |
| UCFS 307-23 | 1- <sup>7</sup> / <sub>16</sub>            |                                  |                                  |                               |                               |                               |                               |                                  |        |                                  |        |                |   | UC 307-23   |             |             |
| UCFS 308    | 40   | 150                              | 112                              | 13                            | 19                            | 10                            | 17                            | 40                               | 115    | 56                               | 52     | 19             | M16                                       | UC 308      | FS308       | 3.3         |
| UCFS 308-24 | 1- <sup>1</sup> / <sub>2</sub>             | 5- <sup>29</sup> / <sub>32</sub> | 4- <sup>13</sup> / <sub>32</sub> | <sup>33</sup> / <sub>64</sub> | <sup>3</sup> / <sub>4</sub>   | <sup>25</sup> / <sub>64</sub> | <sup>21</sup> / <sub>32</sub> | 1- <sup>9</sup> / <sub>16</sub>  | 4.5276 | 2- <sup>13</sup> / <sub>64</sub> | 2.0472 | 0.748          | <sup>5</sup> / <sub>8</sub>               | UC 308-24   |             |             |
| UCFS 308-25 | 1- <sup>9</sup> / <sub>16</sub>            |                                  |                                  |                               |                               |                               |                               |                                  |        |                                  |        |                |   | UC 308-25   |             |             |
| UCFS 309    | 45   | 160                              | 125                              | 14                            | 19                            | 11                            | 18                            | 44                               | 125    | 60                               | 57     | 22             | M16                                       | UC 309      | FS309       | 4.0         |
| UCFS 309-26 | 1- <sup>5</sup> / <sub>8</sub>             |                                  |                                  |                               |                               |                               |                               |                                  |        |                                  |        |                |   | UC 309-26   |             |             |
| UCFS 309-27 | 1- <sup>11</sup> / <sub>16</sub>           | 6- <sup>5</sup> / <sub>16</sub>  | 4- <sup>59</sup> / <sub>64</sub> | <sup>35</sup> / <sub>64</sub> | <sup>3</sup> / <sub>4</sub>   | <sup>7</sup> / <sub>16</sub>  | <sup>23</sup> / <sub>32</sub> | 1- <sup>47</sup> / <sub>64</sub> | 4.9213 | 2- <sup>23</sup> / <sub>64</sub> | 2.2441 | 0.866          | <sup>5</sup> / <sub>8</sub>               | UC 309-27   |             |             |
| UCFS 309-28 | 1- <sup>3</sup> / <sub>4</sub>             |                                  |                                  |                               |                               |                               |                               |                                  |        |                                  |        |                |   | UC 309-28   |             |             |
| UCFS 310    | 50   | 175                              | 132                              | 16                            | 23                            | 12                            | 19                            | 48                               | 140    | 67                               | 61     | 22             | M20                                       | UC 310      | FS310       | 5.3         |
| UCFS 310-29 | 1- <sup>13</sup> / <sub>16</sub>           |                                  |                                  |                               |                               |                               |                               |                                  |        |                                  |        |                |   | UC 310-29   |             |             |
| UCFS 310-30 | 1- <sup>7</sup> / <sub>8</sub>             | 6- <sup>7</sup> / <sub>8</sub>   | 5- <sup>13</sup> / <sub>64</sub> | <sup>5</sup> / <sub>8</sub>   | <sup>29</sup> / <sub>32</sub> | <sup>15</sup> / <sub>32</sub> | <sup>3</sup> / <sub>4</sub>   | 1- <sup>57</sup> / <sub>64</sub> | 5.5118 | 2- <sup>41</sup> / <sub>64</sub> | 2.4016 | 0.866          | <sup>3</sup> / <sub>4</sub>               | UC 310-30   |             |             |
| UCFS 310-31 | 1- <sup>15</sup> / <sub>16</sub>           |                                  |                                  |                               |                               |                               |                               |                                  |        |                                  |        |                |   | UC 310-31   |             |             |
| UCFS 311    | 55   | 185                              | 140                              | 17                            | 23                            | 13                            | 20                            | 52                               | 150    | 71                               | 66     | 25             | M20                                       | UC 311      | FS311       | 6.2         |
| UCFS 311-32 | 2  |                                  |                                  |                               |                               |                               |                               |                                  |        |                                  |        |                |   | UC 311-32   |             |             |
| UCFS 311-33 | 2- <sup>1</sup> / <sub>16</sub>            | 7- <sup>9</sup> / <sub>32</sub>  | 5- <sup>33</sup> / <sub>64</sub> | <sup>43</sup> / <sub>64</sub> | <sup>29</sup> / <sub>32</sub> | <sup>33</sup> / <sub>64</sub> | <sup>25</sup> / <sub>32</sub> | 2- <sup>3</sup> / <sub>64</sub>  | 5.9055 | 2- <sup>51</sup> / <sub>64</sub> | 2.5984 | 0.984          | <sup>3</sup> / <sub>4</sub>               | UC 311-33   |             |             |
| UCFS 311-34 | 2- <sup>1</sup> / <sub>8</sub>             |                                  |                                  |                               |                               |                               |                               |                                  |        |                                  |        |                |   | UC 311-34   |             |             |
| UCFS 311-35 | 2- <sup>3</sup> / <sub>16</sub>            |                                  |                                  |                               |                               |                               |                               |                                  |        |                                  |        |                |   | UC 311-35   |             |             |
| UCFS 312    | 60   | 195                              | 150                              | 19                            | 23                            | 14                            | 22                            | 56                               | 160    | 78                               | 71     | 26             | M20                                       | UC312       | FX312       | 7.2         |
| UCFS 312-36 | 2- <sup>1</sup> / <sub>4</sub>             |                                  |                                  |                               |                               |                               |                               |                                  |        |                                  |        |                |   | UC 312-36   |             |             |
| UCFS 312-37 | 2- <sup>5</sup> / <sub>16</sub>            | 7- <sup>11</sup> / <sub>16</sub> | 5- <sup>29</sup> / <sub>32</sub> | <sup>3</sup> / <sub>4</sub>   | <sup>29</sup> / <sub>32</sub> | <sup>35</sup> / <sub>64</sub> | <sup>7</sup> / <sub>8</sub>   | 2- <sup>7</sup> / <sub>32</sub>  | 6.2922 | 3- <sup>5</sup> / <sub>64</sub>  | 2.7953 | 1.024          | <sup>3</sup> / <sub>4</sub>               | UC 312-37   |             |             |
| UCFS 312-38 | 2- <sup>3</sup> / <sub>8</sub>             |                                  |                                  |                               |                               |                               |                               |                                  |        |                                  |        |                |   | UC 312-38   |             |             |
| UCFS 312-39 | 2- <sup>7</sup> / <sub>16</sub>            |                                  |                                  |                               |                               |                               |                               |                                  |        |                                  |        |                |   | UC 312-39   |             |             |
| UCFS 313    | 65   | 208                              | 166                              | 15                            | 23                            | 18                            | 22                            | 58                               | 175    | 78                               | 75     | 30             | M20                                       | UC 313      | FX313       | 8.9         |
| UCFS 313-40 | 2- <sup>1</sup> / <sub>2</sub>             | 8- <sup>3</sup> / <sub>16</sub>  | 6- <sup>17</sup> / <sub>32</sub> | <sup>19</sup> / <sub>32</sub> | <sup>29</sup> / <sub>32</sub> | <sup>45</sup> / <sub>64</sub> | <sup>55</sup> / <sub>64</sub> | 2- <sup>9</sup> / <sub>32</sub>  | 6.8898 | 3- <sup>5</sup> / <sub>64</sub>  | 2.9528 | 1.181          | <sup>3</sup> / <sub>4</sub>               | UC 313-40   |             |             |
| UCFS 313-41 | 2- <sup>9</sup> / <sub>16</sub>            |                                  |                                  |                               |                               |                               |                               |                                  |        |                                  |        |                |   | UC 313-41   |             |             |
| UCFS 314    | 70   | 226                              | 178                              | 18                            | 25                            | 18                            | 25                            | 61                               | 185    | 81                               | 78     | 33             | M22                                       | UC 314      | FS314       | 11          |
| UCFS 314-42 | 2- <sup>5</sup> / <sub>8</sub>             |                                  |                                  |                               |                               |                               |                               |                                  |        |                                  |        |                |   | UC 314-42   |             |             |
| UCFS 314-43 | 2- <sup>11</sup> / <sub>16</sub>           | 8- <sup>29</sup> / <sub>32</sub> | 6- <sup>1</sup> / <sub>64</sub>  | <sup>45</sup> / <sub>64</sub> | <sup>63</sup> / <sub>64</sub> | <sup>45</sup> / <sub>64</sub> | <sup>31</sup> / <sub>32</sub> | 2- <sup>13</sup> / <sub>32</sub> | 7.2835 | 3- <sup>3</sup> / <sub>16</sub>  | 3.0708 | 1.299          | <sup>7</sup> / <sub>8</sub>               | UC 314-43   |             |             |
| UCFS 314-44 | 2- <sup>3</sup> / <sub>4</sub>             |                                  |                                  |                               |                               |                               |                               |                                  |        |                                  |        |                |   | UC 314-44   |             |             |

Flange Unit (oval)

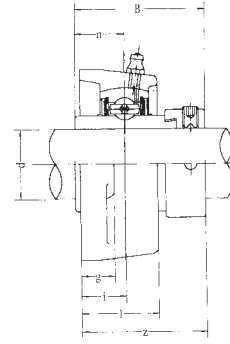
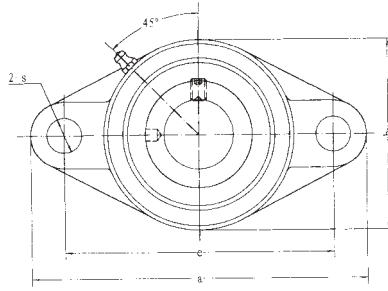
UCFL 2 (normal-duty)



| Unit No.      | Dimensions <small>mm<br/>inch</small> |          |         |         |       |         |       |         |         |        |        | Bolt Size<br><small>mm<br/>inch</small> | Bearing No. | Housing No. | Weight<br>(kg) |
|---------------|---------------------------------------|----------|---------|---------|-------|---------|-------|---------|---------|--------|--------|---|-------------|-------------|----------------|
|               | d                                     | a        | e       | i       | g     | l       | S     | b       | z       | B      | n      |   |             |             |                |
| * UCFL 201    | 12                                    | 113      | 90      | 15      | 11    | 25.5    | 12    | 60      | 33.3    | 31     | 12.7   | M10                                     | UC 201      | FL204       | 0.45           |
| * UCFL 201-8  | 3/4                                   | 4-7/16   | 3-35/64 | 19/32   | 7/16  | 1       | 15/32 | 2-3/8   | 1-5/16  | 1.2205 | 0.500  | 3/8                                     | UC 201-8    |             | 0.44           |
| * UCFL 202    | 15                                    | 113      | 90      | 15      | 11    | 25.5    | 12    | 60      | 33.3    | 31     | 12.7   | M10                                     | UC 202      | FL204       | 0.44           |
| * UCFL 202-9  | 9/16                                  | 4-7/16   | 3-35/64 | 19/32   | 7/16  | 1       | 15/32 | 2-3/8   | 1-5/16  | 1.2205 | 0.500  | 3/8                                     | UC 202-9    |             | 0.44           |
| * UCFL 202-10 | 5/8                                   |          |         |         |       |         |       |         |         |        |        |   | UC 202-10   | 0.44        |                |
| * UCFL 203    | 17                                    | 113      | 90      | 15      | 11    | 25.5    | 12    | 60      | 33.3    | 31     | 12.7   | M10                                     | UC 203      | FL204       | 0.43           |
| * UCFL 203-11 | 1 1/16                                | 4-7/16   | 3-35/64 | 19/32   | 7/16  | 1       | 15/32 | 2-3/8   | 1-5/16  | 1.2205 | 0.500  | 3/8                                     | UC 203-11   |             | 0.42           |
| * UCFL 204    | 20                                    | 113      | 90      | 15      | 11    | 25.5    | 12    | 60      | 33.3    | 31     | 12.7   | M10                                     | UC 204      | FL204       | 0.41           |
| * UCFL 204-12 | 3/4                                   | 4-7/16   | 3-35/64 | 19/32   | 7/16  | 1       | 15/32 | 2-3/8   | 1-5/16  | 1.2205 | 0.500  | 3/8                                     | UC 204-12   |             | 0.41           |
| * UCFL 205    | 25                                    | 130      | 99      | 16      | 13    | 27      | 16    | 68      | 35.8    | 34.1   | 14.3   | M14                                     | UC 205      | FL205       | 0.58           |
| * UCFL 205-13 | 1 3/16                                |          |         |         |       |         |       |         |         |        |        |   | UC 205-13   |             | 0.62           |
| * UCFL 205-14 | 7/8                                   | 5-1/8    | 3-57/64 | 5/8     | 1/2   | 1-1/16  | 5/8   | 2-11/16 | 1-13/32 | 1.3425 | 0.563  | 1/2                                     | UC 205-14   | 0.61        |                |
| * UCFL 205-15 | 15/16                                 |          |         |         |       |         |       |         |         |        |        |   | UC 205-15   | 0.59        |                |
| * UCFL 205-16 | 1                                     |          |         |         |       |         |       |         |         |        |        |   | UC 205-16   | 0.58        |                |
| * UCFL 206    | 30                                    | 148      | 117     | 18      | 13    | 31      | 16    | 80      | 40.2    | 38.1   | 15.9   | M14                                     | UC 206      | FL206       | 0.86           |
| * UCFL 206-17 | 1-1/16                                |          |         |         |       |         |       |         |         |        |        |   | UC 206-17   |             | 0.89           |
| * UCFL 206-18 | 1-1/8                                 | 5-13/16  | 4-39/64 | 45/64   | 1/2   | 1-7/32  | 5/8   | 3-5/32  | 1-19/32 | 1.5000 | 0.626  | 1/2                                     | UC 206-18   | 0.88        |                |
| * UCFL 206-19 | 1-3/16                                |          |         |         |       |         |       |         |         |        |        |   | UC 206-19   | 0.86        |                |
| * UCFL 206-20 | 1-1/4                                 |          |         |         |       |         |       |         |         |        |        |   | UC 206-20   | 0.85        |                |
| * UCFL 207    | 35                                    | 161      | 130     | 19      | 14    | 34      | 16    | 90      | 44.4    | 42.9   | 17.5   | M14                                     | UC 207      | FL207       | 1.08           |
| * UCFL 207-20 | 1-1/4                                 |          |         |         |       |         |       |         |         |        |        |   | UC 207-20   |             | 1.14           |
| * UCFL 207-21 | 1-5/16                                | 6-11/32  | 5-1/8   | 3/4     | 35/64 | 1-13/32 | 5/8   | 3-35/64 | 1-3/4   | 1.6890 | 0.689  | 1/2                                     | UC 207-21   | 1.11        |                |
| * UCFL 207-22 | 1-3/8                                 |          |         |         |       |         |       |         |         |        |        |   | UC 207-22   | 1.08        |                |
| * UCFL 207-23 | 1-7/16                                |          |         |         |       |         |       |         |         |        |        |   | UC 207-23   | 1.05        |                |
| * UCFL 208    | 40                                    | 175      | 144     | 21      | 14    | 36      | 16    | 100     | 51.2    | 49.2   | 19     | M14                                     | UC 208      | FL208       | 1.44           |
| * UCFL 208-24 | 1-1/2                                 | 6-7/8    | 5-43/64 | 53/64   | 35/64 | 1-13/32 | 5/8   | 3-15/16 | 2-1/64  | 1.9370 | 0.748  | 1/2                                     | UC 208-24   |             | 1.48           |
| * UCFL 208-25 | 1-9/16                                |          |         |         |       |         |       |         |         |        |        |   | UC 208-25   | 1.45        |                |
| * UCFL 209    | 45                                    | 188      | 148     | 22      | 15    | 38      | 19    | 108     | 52.2    | 49.2   | 19     | M16                                     | UC 209      | FL209       | 1.74           |
| * UCFL 209-26 | 1-9/16                                |          |         |         |       |         |       |         |         |        |        |   | UC 209-26   |             | 1.84           |
| * UCFL 209-27 | 1-11/16                               | 7-13/32  | 5-53/64 | 55/64   | 19/32 | 1-1/2   | 3/4   | 4-1/4   | 2-1/16  | 1.9370 | 0.748  | 5/8                                     | UC 209-27   | 1.80        |                |
| * UCFL 209-28 | 1-3/4                                 |          |         |         |       |         |       |         |         |        |        |   | UC 209-28   | 1.76        |                |
| * UCFL 210    | 50                                    | 197      | 157     | 22      | 15    | 40      | 19    | 115     | 54.6    | 51.6   | 19     | M16                                     | UC 210      | FL210       | 2.10           |
| * UCFL 210-29 | 1-13/16                               |          |         |         |       |         |       |         |         |        |        |   | UC 210-29   |             | 2.22           |
| * UCFL 210-30 | 1-7/8                                 | 7-3/4    | 6-3/16  | 55/64   | 19/32 | 1-37/64 | 3/4   | 4-17/32 | 2-5/32  | 2.0315 | 0.748  | 5/8                                     | UC 210-30   | 2.17        |                |
| * UCFL 210-31 | 1-15/16                               |          |         |         |       |         |       |         |         |        |        |   | UC 210-31   | 2.12        |                |
| * UCFL 210-32 | 2                                     |          |         |         |       |         |       |         |         |        |        |   | UC 210-32   | 2.08        |                |
| * UCFL 211    | 55                                    | 224      | 184     | 25      | 18    | 43      | 19    | 130     | 58.4    | 55.6   | 22.2   | M16                                     | UC 211      | FL211       | 2.91           |
| * UCFL 211-32 | 2                                     |          |         |         |       |         |       |         |         |        |        |   | UC 211-32   |             | 3.06           |
| * UCFL 211-33 | 2-1/16                                | 8-13/16  | 7-1/4   | 63/64   | 23/32 | 1-11/16 | 3/4   | 5-1/8   | 2-5/16  | 2.1890 | 0.874  | 5/8                                     | UC 211-33   | 3.00        |                |
| * UCFL 211-34 | 2-1/8                                 |          |         |         |       |         |       |         |         |        |        |   | UC 211-34   | 2.95        |                |
| * UCFL 211-35 | 2-3/16                                |          |         |         |       |         |       |         |         |        |        |   | UC 211-35   | 2.89        |                |
| * UCFL 212    | 60                                    | 250      | 202     | 29      | 18    | 48      | 23    | 140     | 68.7    | 65.1   | 25.4   | M20                                     | UC 212      | FL212       | 3.74           |
| * UCFL 212-36 | 2-1/4                                 |          |         |         |       |         |       |         |         |        |        |   | UC 212-36   |             | 3.87           |
| * UCFL 212-37 | 2-5/16                                | 9-27/32  | 7-81/64 | 1-9/64  | 23/32 | 1-7/8   | 29/32 | 5-1/2   | 2-23/32 | 2.5630 | 1.000  | 3/4                                     | UC 212-37   | 3.79        |                |
| * UCFL 212-38 | 2-3/8                                 |          |         |         |       |         |       |         |         |        |        |   | UC 212-38   | 3.72        |                |
| * UCFL 212-39 | 2-7/16                                |          |         |         |       |         |       |         |         |        |        |   | UC 212-39   | 3.65        |                |
| UCFL 213      | 65                                    | 258      | 210     | 30      | 22    | 50      | 23    | 155     | 69.7    | 65.1   | 25.4   | M20                                     | UC 213      | FL213       | 4.57           |
| UCFL 213-40   | 2-1/2                                 | 10-5/32  | 8-17/64 | 1-3/16  | 7/8   | 1-31/32 | 29/32 | 6-3/32  | 2-3/4   | 2.5630 | 1.000  | 3/4                                     | UC 213-40   |             | 4.66           |
| UCFL 213-41   | 2-9/16                                |          |         |         |       |         |       |         |         |        |        |   | UC 213-41   | 4.57        |                |
| UCFL 214      | 70                                    | 265      | 216     | 31      | 22    | 54      | 23    | 160     | 75.4    | 74.6   | 30.2   | M20                                     | UC 214      | FL214       | 5.11           |
| UCFL 214-42   | 2-5/8                                 |          |         |         |       |         |       |         |         |        |        |   | UC 214-42   |             | 5.32           |
| UCFL 214-43   | 2-11/16                               | 10-7/16  | 8-1/2   | 1-7/32  | 7/8   | 2-1/8   | 29/32 | 6-5/16  | 2-31/32 | 2.9370 | 1.189  | 3/4                                     | UC 214-43   | 5.22        |                |
| UCFL 214-44   | 2-3/4                                 |          |         |         |       |         |       |         |         |        |        |   | UC 214-44   | 5.12        |                |
| UCFL 215      | 75                                    | 275      | 225     | 34      | 22    | 56      | 23    | 165     | 78.5    | 77.8   | 33.3   | M20                                     | UC 215      | FL215       | 5.37           |
| UCFL 215-45   | 2-13/16                               |          |         |         |       |         |       |         |         |        |        |   | UC 215-45   |             | 5.62           |
| UCFL 215-46   | 2-7/8                                 | 10-13/16 | 8-55/64 | 1-11/32 | 7/8   | 2-7/32  | 29/32 | 6-1/2   | 3-3/32  | 3.0630 | 1.311  | 3/4                                     | UC 215-46   | 5.51        |                |
| UCFL 215-47   | 2-15/16                               |          |         |         |       |         |       |         |         |        |        |   | UC 215-47   | 5.40        |                |
| UCFL 215-48   | 3                                     |          |         |         |       |         |       |         |         |        |        |   | UC 215-48   | 5.28        |                |
| UCFL 216      | 80                                    | 290      | 233     | 34      | 22    | 58      | 25    | 180     | 83.3    | 82.6   | 33.3   | M22                                     | UC 216      | FL216       | 7.20           |
| UCFL 216-49   | 3-1/16                                |          |         |         |       |         |       |         |         |        |        |   | UC 216-49   |             | 7.38           |
| UCFL 216-50   | 3-1/8                                 | 11-13/32 | 9-11/64 | 1-11/32 | 7/8   | 2-9/32  | 63/64 | 7-3/32  | 3-9/32  | 3.2520 | 1.311  | 7/8                                     | UC 216-50   | 7.25        |                |
| UCFL 216-51   | 3-1/16                                |          |         |         |       |         |       |         |         |        |        |   | UC 216-51   | 7.12        |                |
| UCFL 217      | 85                                    | 305      | 248     | 36      | 24    | 63      | 25    | 190     | 87.6    | 85.7   | 34.1   | M22                                     | UC 217      | FL217       | 8.61           |
| UCFL 217-52   | 3-1/4                                 |          |         |         |       |         |       |         |         |        |        |   | UC 217-52   |             | 8.83           |
| UCFL 217-53   | 3-5/16                                | 12       | 9-49/64 | 1-27/64 | 15/16 | 2-15/32 | 63/64 | 7-15/32 | 3-7/16  | 3.3740 | 1.343  | 7/8                                     | UC 217-53   | 8.69        |                |
| UCFL 217-55   | 3-7/16                                |          |         |         |       |         |       |         |         |        |        |   | UC 217-55   | 8.40        |                |
| UCFL 218      | 90                                    | 320      | 265     | 40      | 24    | 68      | 25    | 205     | 96.3    | 96     | 39.7   | M22                                     | UC 218      | FL218       | 10.51          |
| UCFL 218-56   | 3-1/2                                 | 12-19/32 | 10-7/16 | 1-37/64 | 15/16 | 2-11/16 | 63/64 | 8-1/16  | 3-25/32 | 3.7795 | 1.5630 | 7/8                                     | UC 218-56   |             | 10.62          |

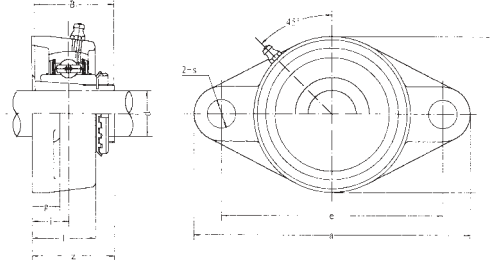
\* Add SP in front of the Unit No for Stainless Steel Bearing with Thermo-Plastic Housing (Eg. SP UCP 205)  
 Add C as suffix for both side Open cover (Eg. SP UCP 205 C)  
 or CD as suffix for one side Open & one side Closed cover (Eg. SP UCP 205 CD)



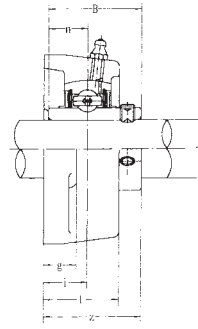
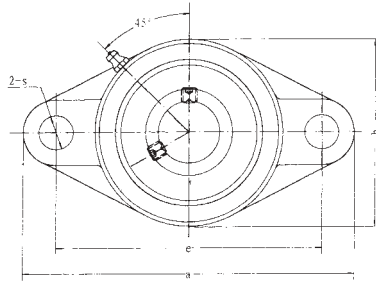


| Unit No.    | Dimensions <small>mm<br/>inch</small> |          |         |         |       |         |       |         |         |                |       | Bolt Size<br><small>mm<br/>inch</small> | Bearing No. | Housing No. | Weight<br>(kg) |
|-------------|---------------------------------------|----------|---------|---------|-------|---------|-------|---------|---------|----------------|-------|---|-------------|-------------|----------------|
|             | d                                     | a        | e       | i       | g     | l       | s     | b       | z       | B <sub>1</sub> | n     |   |             |             |                |
| NAFL 204    | 20                                    | 113      | 90      | 15      | 11    | 25.5    | 12    | 60      | 41.6    | 43.7           | 17.1  | M10                                     | NA 204      | FL204       | 0.48           |
| NAFL 204-12 | 3/4                                   | 4-7/16   | 3-35/64 | 19/32   | 7/16  | 1       | 15/32 | 2-3/8   | 1-41/64 | 1.720          | 0.673 | 3/8                                     | NA 204-12   |             | 0.48           |
| NAFL 205    | 25                                    | 130      | 99      | 16      | 13    | 27      | 16    | 68      | 42.9    | 44.4           | 17.5  | M14                                     | NA 205      |             | 0.65           |
| NAFL 205-13 | 13/16                                 |          |         |         |       |         |       |         |         |                |       |   | NA 205-13   |             | 0.70           |
| NAFL 205-14 | 7/8                                   | 5-1/8    | 3-57/64 | 5/8     | 1/2   | 1-1/16  | 5/8   | 2-11/16 | 1-11/16 | 1.748          | 0.689 | 1/2                                     | NA 205-14   | FL205       | 0.69           |
| NAFL 205-15 | 15/16                                 |          |         |         |       |         |       |         |         |                |       |   | NA 205-15   |             | 0.67           |
| NAFL 205-16 | 1                                     |          |         |         |       |         |       |         |         |                |       |   | NA 205-16   |             | 0.65           |
| NAFL 206    | 30                                    | 148      | 117     | 18      | 13    | 31      | 16    | 80      | 48.1    | 48.4           | 18.3  | M14                                     | NA 206      |             | 0.99           |
| NAFL 206-17 | 1-1/16                                |          |         |         |       |         |       |         |         |                |       |   | NA 206-17   |             | 1.04           |
| NAFL 206-18 | 1-3/8                                 | 5-13/16  | 4-39/64 | 45/64   | 1/2   | 1-7/32  | 5/8   | 3-5/32  | 1-57/64 | 1.906          | 0.720 | 1/2                                     | NA 206-18   | FL206       | 1.01           |
| NAFL 206-19 | 1-3/16                                |          |         |         |       |         |       |         |         |                |       |   | NA 206-19   |             | 0.99           |
| NAFL 206-20 | 1-1/4                                 |          |         |         |       |         |       |         |         |                |       |   | NA 206-20   |             | 0.96           |
| NAFL 207    | 35                                    | 161      | 130     | 19      | 14    | 34      | 16    | 90      | 51.3    | 51.1           | 18.8  | M14                                     | NA 207      |             | 1.20           |
| NAFL 207-20 | 1-1/4                                 |          |         |         |       |         |       |         |         |                |       |   | NA 207-20   |             | 1.27           |
| NAFL 207-21 | 1-5/16                                | 6-11/32  | 5-1/8   | 3/4     | 35/64 | 1-11/32 | 5/8   | 3-35/64 | 2-1/64  | 2.012          | 0.740 | 1/2                                     | NA 207-21   | FL207       | 1.23           |
| NAFL 207-22 | 1-3/8                                 |          |         |         |       |         |       |         |         |                |       |   | NA 207-22   |             | 1.20           |
| NAFL 207-23 | 1-7/16                                |          |         |         |       |         |       |         |         |                |       |   | NA 208-23   |             | 1.17           |
| NAFL 208    | 40                                    | 175      | 144     | 21      | 14    | 36      | 16    | 100     | 55.9    | 56.3           | 21.4  | M14                                     | NA 208      |             | 1.59           |
| NAFL 208-24 | 1-1/2                                 | 6-7/8    | 5-43/64 | 53/64   | 35/64 | 1-18/32 | 5/8   | 3-15/16 | 2-13/64 | 2.217          | 0.843 | 1/2                                     | NA 208-24   | FL208       | 1.64           |
| NAFL 208-25 | 1-9/16                                |          |         |         |       |         |       |         |         |                |       |   | NA 208-25   |             | 1.60           |
| NAFL 209    | 45                                    | 188      | 148     | 22      | 15    | 38      | 19    | 108     | 56.9    | 56.3           | 21.4  | M16                                     | NA 209      |             | 1.91           |
| NAFL 209-26 | 1-5/8                                 |          |         |         |       |         |       |         |         |                |       |   | NA 209-26   |             | 2.02           |
| NAFL 209-27 | 1-11/16                               | 7-13/32  | 5-53/64 | 55/64   | 19/32 | 1-1/2   | 3/4   | 4-1/4   | 2-15/64 | 2.217          | 0.843 | 5/8                                     | NA 209-27   | FL209       | 1.97           |
| NAFL 209-28 | 1-3/4                                 |          |         |         |       |         |       |         |         |                |       |   | NA 209-28   |             | 1.93           |
| NAFL 210    | 50                                    | 197      | 157     | 22      | 15    | 40      | 19    | 115     | 60.1    | 62.7           | 24.6  | M16                                     | NA 210      |             | 2.29           |
| NAFL 210-29 | 1-13/16                               |          |         |         |       |         |       |         |         |                |       |   | NA 210-29   |             | 2.44           |
| NAFL 210-30 | 1-7/8                                 | 7-3/4    | 6-3/16  | 55/64   | 19/32 | 1-37/64 | 3/4   | 4-17/32 | 2-23/64 | 2.469          | 0.969 | 5/8                                     | NA 210-30   | FL210       | 2.38           |
| NAFL 210-31 | 1-15/16                               |          |         |         |       |         |       |         |         |                |       |   | NA 210-31   |             | 2.32           |
| NAFL 210-32 | 2                                     |          |         |         |       |         |       |         |         |                |       |   | NA 210-32   |             | 2.26           |
| NAFL 211    | 55                                    | 224      | 184     | 25      | 18    | 43      | 19    | 130     | 68.6    | 71.4           | 27.8  | M16                                     | NA 211      |             | 3.12           |
| NAFL 211-32 | 2                                     |          |         |         |       |         |       |         |         |                |       |   | NA 211-32   |             | 3.32           |
| NAFL 211-33 | 2-1/16                                | 8-13/16  | 7-1/4   | 63/64   | 23/32 | 1-11/16 | 3/4   | 5-1/8   | 2-45/64 | 2.811          | 1.094 | 5/8                                     | NA 211-33   | FL211       | 3.24           |
| NAFL 211-34 | 2-1/8                                 |          |         |         |       |         |       |         |         |                |       |   | NA 211-34   |             | 3.17           |
| NAFL 211-35 | 2-3/16                                |          |         |         |       |         |       |         |         |                |       |   | NA 211-35   |             | 3.09           |
| NAFL 212    | 60                                    | 250      | 202     | 29      | 18    | 48      | 23    | 140     | 75.8    | 77.8           | 31    | M20                                     | NA 212      |             | 4.08           |
| NAFL 212-36 | 2-4/1                                 |          |         |         |       |         |       |         |         |                |       |   | NA 212-36   |             | 4.24           |
| NAFL 212-37 | 2-5/16                                | 9-27/32  | 7-81/64 | 1-9/64  | 23/32 | 1-7/8   | 29/32 | 5-1/2   | 2-63/64 | 3.063          | 1.220 | 3/4                                     | NA 212-37   | FL212       | 4.15           |
| NAFL 212-38 | 2-3/8                                 |          |         |         |       |         |       |         |         |                |       |   | NA 212-38   |             | 4.10           |
| NAFL 212-39 | 2-7/16                                |          |         |         |       |         |       |         |         |                |       |   | NA 212-39   |             | 3.97           |
| NAFL 213    | 65                                    | 258      | 210     | 30      | 22    | 50      | 23    | 155     | 81.6    | 85.7           | 34.1  | M20                                     | NA 213      |             | 5.13           |
| NAFL 213-40 | 2-1/2                                 |          |         |         |       |         |       |         |         |                |       |   | NA 213-40   | FL213       | 5.23           |
| NAFL 213-41 | 2-9/16                                | 10-5/32  | 8-17/64 | 1-3/16  | 7/8   | 1-31/32 | 29/32 | 6-3/32  | 3-7/32  | 3.374          | 1.343 | 3/4                                     | NA 213-41   |             | 5.12           |
| NAFL 214    | 70                                    | 265      | 216     | 31      | 22    | 54      | 23    | 160     | 82.6    | 85.7           | 34.1  | M20                                     | NA 214      |             | 5.61           |
| NAFL 214-42 | 2-3/8                                 |          |         |         |       |         |       |         |         |                |       |   | NA 214-42   |             | 5.85           |
| NAFL 214-43 | 2-3/4                                 | 10-7/16  | 8-1/2   | 1-7/32  | 7/8   | 2-1/8   | 29/32 | 6-5/16  | 3-1/4   | 3.374          | 1.343 | 3/4                                     | NA 213-43   | FL214       | 5.12           |
| NAFL 214-44 | 2-3/4                                 |          |         |         |       |         |       |         |         |                |       |   | NA 214-44   |             | 5.62           |
| NAFL 215    | 75                                    | 275      | 225     | 34      | 22    | 56      | 23    | 165     | 88.8    | 92.1           | 37.3  | M20                                     | NA 215      |             | 6.00           |
| NAFL 215-45 | 2-13/16                               |          |         |         |       |         |       |         |         |                |       |   | NA 215-45   |             | 6.30           |
| NAFL 214-46 | 2-7/8                                 | 10-13/16 | 8-55/64 | 1-11/32 | 7/8   | 2-7/32  | 29/32 | 6-1/2   | 3-1/2   | 3.626          | 1.426 | 3/4                                     | NA 215-46   | FL215       | 6.17           |
| NAFL 214-47 | 2-15/16                               |          |         |         |       |         |       |         |         |                |       |   | NA 215-47   |             | 6.04           |
| NAFL 214-48 | 3                                     |          |         |         |       |         |       |         |         |                |       |   | NA 215-48   |             | 5.90           |

**Flange Unit (oval)**  
**(Adapter mounted)**

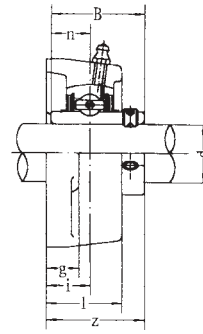
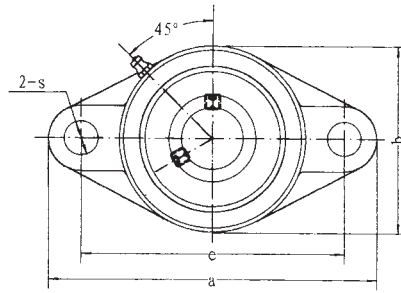


| Unit No. | Dimensions <small>mm<br/>inch</small> |                 |                |               |             |                |                |                |                 |             | Bolt Size<br><small>mm<br/>inch</small> | Bearing<br>No.                            | No.   | Housing<br>No. | Weight<br>(kg) |
|----------|---------------------------------------|-----------------|----------------|---------------|-------------|----------------|----------------|----------------|-----------------|-------------|---|---|-------|----------------|----------------|
|          | d                                     | h               | a              | e             | b           | S <sub>1</sub> | S <sub>2</sub> | g              | B               | n           |   |   |       |                |                |
| UKFL 205 | 20<br>3/4                             | 130<br>5-1/8    | 99<br>3-57/64  | 16<br>5/8     | 13<br>1/2   | 27<br>1-1/16   | 16<br>5/8      | 68<br>2-11/16  | 35.5<br>1-25/64 | 35<br>1.378 | M14<br>1/2                              | UK 205<br>H305<br>HE305                   | FL205 | 0.63           |                |
| UKFL 206 | 25<br>7/8<br>1                        | 148<br>5-13/16  | 117<br>4-39/64 | 18<br>45/64   | 13<br>1/2   | 31<br>1-7/32   | 16<br>5/8      | 80<br>3-5/32   | 39<br>1-17/32   | 38<br>1.496 | M14<br>1/2                              | UK 206<br>H306<br>HS306<br>HE306          | FL206 | 0.90           |                |
| UKFL 207 | 30<br>1-1/8                           | 161<br>6-11/32  | 130<br>5-1/8   | 19<br>3/4     | 14<br>35/64 | 34<br>1-11/32  | 16<br>5/8      | 90<br>3-25/64  | 42.5<br>1-43/64 | 43<br>1.693 | M14<br>1/2                              | UK 207<br>H307<br>HS307                   | FL207 | 1.17           |                |
| UKFL 208 | 35<br>1-1/4<br>1-3/8                  | 175<br>6-7/8    | 144<br>5-43/64 | 21<br>53/64   | 14<br>35/64 | 36<br>1-13/32  | 16<br>5/8      | 100<br>3-15/16 | 46.5<br>1-53/64 | 46<br>1.811 | M14<br>1/2                              | UK 208<br>H308<br>HE308<br>H309           | FL208 | 1.54           |                |
| UKFL 209 | 40<br>1-7/16<br>1-1/2<br>1-5/8        | 188<br>7-13/32  | 148<br>5-53/64 | 22<br>55/64   | 15<br>19/32 | 38<br>1-1/2    | 19<br>3/4      | 108<br>4-1/4   | 48.5<br>1-29/32 | 50<br>1.969 | M16<br>5/8                              | UK 209<br>HA309<br>HE309<br>HS309<br>H310 | FL209 | 1.89           |                |
| UKFL 210 | 45<br>1-5/8<br>1-11/16<br>1-3/4       | 197<br>7-3/4    | 157<br>6-3/16  | 22<br>55/64   | 15<br>19/32 | 40<br>1-37/64  | 19<br>3/4      | 115<br>4-17/32 | 50<br>1-31/32   | 55<br>2.165 | M16<br>5/8                              | UK 210<br>H310<br>HA310<br>HE310          | FL210 | 2.27           |                |
| UKFL 211 | 50<br>1-7/8<br>1-15/16<br>2           | 224<br>8-13/16  | 184<br>7-1/4   | 25<br>63/64   | 18<br>23/32 | 43<br>1-11/16  | 19<br>3/4      | 130<br>5-1/8   | 54.5<br>2-9/64  | 59<br>2.323 | M16<br>5/8                              | UK 211<br>H311<br>HS311<br>HA311<br>HE311 | FL211 | 3.06           |                |
| UKFL 212 | 55<br>2-1/8                           | 250<br>9-17/32  | 202<br>7-9/64  | 29<br>1-9/64  | 18<br>23/32 | 48<br>1-7/8    | 23<br>29/32    | 140<br>5-1/2   | 61<br>2-13/32   | 62<br>2.441 | M20<br>3/4                              | UK 212<br>H312<br>HS312                   | FL212 | 3.79           |                |
| UKFL 213 | 60<br>2-3/16<br>2-1/4<br>2-3/8        | 258<br>10-5/32  | 210<br>8-17/64 | 30<br>1-3/16  | 22<br>7/8   | 50<br>1-31/32  | 23<br>29/32    | 155<br>6-3/32  | 64<br>2-33/64   | 65<br>2.559 | M20<br>3/4                              | UL 213<br>H313<br>HA313<br>HE313<br>HS313 | FL213 | 4.48           |                |
| UKFL 215 | 65<br>2-7/16<br>2-1/2                 | 275<br>10-13/16 | 225<br>8-55/64 | 34<br>1-11/32 | 22<br>7/8   | 56<br>2-7/32   | 23<br>29/32    | 165<br>6-1/2   | 71<br>2-51/64   | 73<br>2.874 | M20<br>3/4                              | UK 215<br>H315<br>HA315<br>HE315          | FL215 | 5.48           |                |
| UKFL 216 | 70<br>2-11/16<br>2-3/4                | 290<br>11-13/32 | 233<br>9-11/64 | 34<br>1-11/32 | 22<br>7/8   | 58<br>2-9/32   | 25<br>63/64    | 180<br>7-3/32  | 73.5<br>2-57/64 | 78<br>3.071 | M22<br>7/8                              | UK 216<br>H316<br>HA316<br>HE316          | FL216 | 7.46           |                |
| UKFL 217 | 75<br>2-15/16<br>3                    | 305<br>12       | 248<br>9-46/64 | 36<br>1-27/64 | 24<br>15/16 | 63<br>2-15/32  | 25<br>63/64    | 190<br>7-15/32 | 77<br>3-1/32    | 82<br>3.228 | M22<br>7/8                              | UK 217<br>H317<br>HA317<br>HE317          | FL217 | 9.03           |                |
| UKFL 218 | 80<br>3-3/16                          | 320<br>12-19/32 | 265<br>10-7/16 | 40<br>1-37/64 | 24<br>15/16 | 68<br>2-11/16  | 25<br>63/54    | 205<br>8-1/16  | 81.5<br>3-13/64 | 86<br>3.386 | M22<br>7/8                              | UK 218<br>H318<br>HA318                   | FL218 | 10.89          |                |

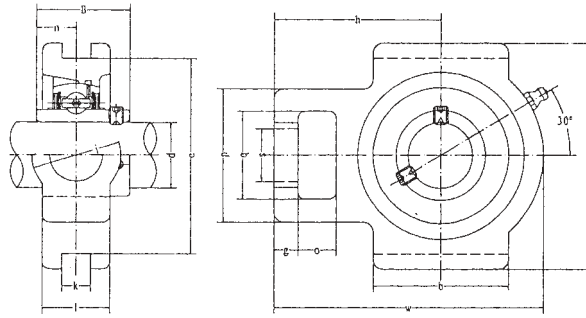


| Unit No.    | Dimensions <sup>mm</sup> / <sub>inch</sub> |         |         |        |       |         |       |        |         |        |       | Bolt Size<br><sup>mm</sup> / <sub>inch</sub> | Bearing No. | Housing No. | Weight<br>(kg) |
|-------------|--|---------|---------|--------|-------|---------|-------|--------|---------|--------|-------|--|-------------|-------------|----------------|
|             | d  | a       | e       | i      | g     | l       | s     | b      | z       | B      | n     |  |             |             |                |
| UCFLX 05    | 25   | 141     | 117     | 18     | 13    | 30      | 12    | 83     | 40.2    | 38.1   | 15.9  | M10  | UCX 05      | FLX05       | 1.0            |
| UCFLX 05-13 | 13/16                                      |         |         |        |       |         |       |        |         |        |       |  | UCX 05-13   |             |                |
| UCFLX 05-14 | 7/8  | 5-9/16  | 4-39/64 | 45/64  | 1/2   | 1-3/16  | 15/32 | 3-9/32 | 1-37/64 | 1.5000 | 0.626 | 3/8  | UCX 05-14   |             |                |
| UCFLX 05-15 | 15/16                                      |         |         |        |       |         |       |        |         |        |       |  | UCX 05-15   |             |                |
| UCFLX 05-16 | 1  |         |         |        |       |         |       |        |         |        |       |  | UCX 05-16   |             |                |
| UCFLX 06    | 30   | 156     | 130     | 19     | 15    | 34      | 16    | 95     | 44.4    | 42.9   | 17.5  | M14  | UCX 06      | FLX06       | 1.5            |
| UCFLX 06-17 | 1-1/16                                     |         |         |        |       |         |       |        |         |        |       |  | UCX 06-17   |             |                |
| UCFLX 06-18 | 1-1/8                                      | 6-5/32  | 5-1/8   | 3/4    | 19/32 | 1-11/32 | 5/8   | 3-3/4  | 1-3/4   | 1.6890 | 0.689 | 1/2  | UCX 06-18   |             |                |
| UCFLX 06-19 | 1-3/16                                     |         |         |        |       |         |       |        |         |        |       |  | UCX 06-19   |             |                |
| UCFLX 06-20 | 1-1/4                                      |         |         |        |       |         |       |        |         |        |       |  | UCX 06-20   |             |                |
| UCFLX 07    | 35   | 171     | 144     | 21     | 16    | 38      | 16    | 105    | 51.2    | 49.2   | 19    | M14  | UCX 07      | FLX07       | 2.0            |
| UCFLX 07-21 | 1-5/16                                     |         |         |        |       |         |       |        |         |        |       |  | UCX 07-21   |             |                |
| UCFLX 07-22 | 1-3/8                                      | 6-23/32 | 5-43/64 | 53/64  | 5/8   | 1-1/2   | 5/8   | 4-1/8  | 2-1/64  | 1.9370 | 0.748 | 1/2  | UCX 07-22   |             |                |
| UCFLX 07-23 | 1-7/16                                     |         |         |        |       |         |       |        |         |        |       |  | UCX 07-23   |             |                |
| UCFLX 08    | 40   | 179     | 148     | 22     | 16    | 40      | 16    | 111    | 52.2    | 49.2   | 19    | M14  | UCX 08      | FLX08       | 2.2            |
| UCFLX 08-24 | 1-1/2                                      | 7-1/16  | 5-53/64 | 55/64  | 5/8   | 1-9/16  | 5/8   | 4-3/8  | 2-1/16  | 1.9370 | 0.748 | 1/2  | UCX 08-24   |             |                |
| UCFLX 08-25 | 1-9/16                                     |         |         |        |       |         |       |        |         |        |       |  | UCX 08-25   |             |                |
| UCFLX 09    | 45   | 189     | 157     | 23     | 16    | 40      | 16    | 116    | 55.6    | 51.6   | 19    | M14  | UCX 09      | FLX09       | 2.4            |
| UCFLX 09-26 | 1-5/8                                      |         |         |        |       |         |       |        |         |        |       |  | UCX 09-26   |             |                |
| UCFLX 09-27 | 1-11/16                                    | 7-7/16  | 6-3/16  | 29/32  | 5/8   | 1-37/64 | 5/8   | 4-9/16 | 2-3/16  | 2.0315 | 0.748 | 1/2  | UCX 09-27   |             |                |
| UCFLX 09-28 | 1-3/4                                      |         |         |        |       |         |       |        |         |        |       |  | UCX 09-28   |             |                |
| UCFLX 09-29 | 1-13/16                                    |         |         |        |       |         |       |        |         |        |       |  | UCX 09-29   |             |                |
| UCFLX 10    | 50   | 216     | 184     | 26     | 18    | 44      | 19    | 133    | 59.4    | 55.6   | 22.2  | M16  | UCX 10      | FLX10       | 3.4            |
| UCFLX 10-30 | 1-7/8                                      |         |         |        |       |         |       |        |         |        |       |  | UCX 10-30   |             |                |
| UCFLX 10-31 | 1-15/16                                    | 8-1/2   | 7-1/4   | 1-1/32 | 23/32 | 1-23/32 | 3/4   | 5-1/4  | 2-11/32 | 2.1890 | 0.874 | 5/8  | UCX 10-31   |             |                |
| UCFLX 10-32 | 2  |         |         |        |       |         |       |        |         |        |       |  | UCX 11-32   |             |                |

Flange Unit (oval)



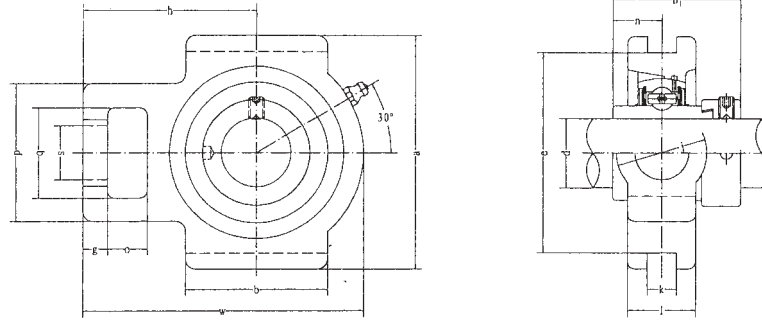
| Unit No.    | Dimensions <sup>mm</sup> / <sub>inch</sub> |                                   |                                   |                                  |                                  |                                  |                                  |                                  |                                  |                |       | Bolt Size <sup>mm</sup> / <sub>inch</sub> | Bearing No. | Housing No. | Weight (kg) |
|-------------|--|-----------------------------------|-----------------------------------|----------------------------------|----------------------------------|----------------------------------|----------------------------------|----------------------------------|----------------------------------|----------------|-------|---|-------------|-------------|-------------|
|             | d  | a                                 | e                                 | i                                | g                                | l                                | s                                | b                                | z                                | B <sub>1</sub> | n     |   |             |             |             |
| UCFL 305    | 25   | 150                               | 113                               | 16                               | 13                               | 29                               | 19                               | 80                               | 39                               | 38             | 15    | M16                                       | UCFL 305    | FL305       | 1.1         |
| UCFL 305-13 | <sup>13</sup> / <sub>16</sub>              |                                   |                                   |                                  |                                  |                                  |                                  |                                  |                                  |                |       |   | UCFL 305-13 |             |             |
| UCFL 305-14 | <sup>7</sup> / <sub>8</sub>                | 5- <sup>29</sup> / <sub>32</sub>  | 4- <sup>7</sup> / <sub>16</sub>   | <sup>5</sup> / <sub>8</sub>      | <sup>1</sup> / <sub>2</sub>      | 1- <sup>5</sup> / <sub>32</sub>  | <sup>3</sup> / <sub>4</sub>      | 3- <sup>5</sup> / <sub>32</sub>  | 1- <sup>17</sup> / <sub>32</sub> | 1.4961         | 0.591 | <sup>5</sup> / <sub>8</sub>               | UCFL 305-14 |             |             |
| UCFL 305-15 | <sup>15</sup> / <sub>16</sub>              |                                   |                                   |                                  |                                  |                                  |                                  |                                  |                                  |                |       |   | UCFL 305-15 |             |             |
| UCFL 305-16 | 1  |                                   |                                   |                                  |                                  |                                  |                                  |                                  |                                  |                |       |   | UCFL 305-16 |             |             |
| UCFL 306    | 30   | 180                               | 134                               | 18                               | 15                               | 32                               | 23                               | 90                               | 44                               | 43             | 17    | M20                                       | UCFL 306    | FL306       | 1.5         |
| UCFL 306-17 | 1- <sup>1</sup> / <sub>16</sub>            |                                   |                                   |                                  |                                  |                                  |                                  |                                  |                                  |                |       |   | UCFL 306-17 |             |             |
| UCFL 306-18 | 1- <sup>1</sup> / <sub>8</sub>             | 7- <sup>3</sup> / <sub>32</sub>   | 5- <sup>9</sup> / <sub>32</sub>   | <sup>45</sup> / <sub>64</sub>    | <sup>19</sup> / <sub>32</sub>    | 1- <sup>1</sup> / <sub>4</sub>   | <sup>29</sup> / <sub>32</sub>    | 3- <sup>17</sup> / <sub>32</sub> | 1- <sup>47</sup> / <sub>64</sub> | 1.6929         | 0.669 | <sup>3</sup> / <sub>4</sub>               | UCFL 306-18 |             |             |
| UCFL 306-19 | 1- <sup>3</sup> / <sub>16</sub>            |                                   |                                   |                                  |                                  |                                  |                                  |                                  |                                  |                |       |   | UCFL 306-19 |             |             |
| UCFL 307    | 35   | 185                               | 141                               | 20                               | 16                               | 36                               | 23                               | 100                              | 49                               | 48             | 19    | M20                                       | UCFL 307    |             |             |
| UCFL 307-20 | 1- <sup>1</sup> / <sub>4</sub>             |                                   |                                   |                                  |                                  |                                  |                                  |                                  |                                  |                |       |   | UCFL 307-20 |             |             |
| UCFL 307-21 | 1- <sup>5</sup> / <sub>16</sub>            | 7- <sup>9</sup> / <sub>32</sub>   | 5- <sup>35</sup> / <sub>64</sub>  | <sup>25</sup> / <sub>32</sub>    | <sup>5</sup> / <sub>8</sub>      | 1- <sup>13</sup> / <sub>32</sub> | <sup>29</sup> / <sub>32</sub>    | 3- <sup>15</sup> / <sub>16</sub> | 1- <sup>59</sup> / <sub>64</sub> | 1.8898         | 0.748 | <sup>3</sup> / <sub>4</sub>               | UCFL 307-21 |             |             |
| UCFL 307-22 | 1- <sup>3</sup> / <sub>8</sub>             |                                   |                                   |                                  |                                  |                                  |                                  |                                  |                                  |                |       |   | UCFL 307-22 |             |             |
| UCFL 307-23 | 1- <sup>7</sup> / <sub>16</sub>            |                                   |                                   |                                  |                                  |                                  |                                  |                                  |                                  |                |       |   | UCFL 307-23 |             |             |
| UCFL 308    | 40   | 200                               | 158                               | 23                               | 17                               | 40                               | 23                               | 112                              | 56                               | 52             | 19    | M20                                       | UCFL 308    | FL308       | 2.5         |
| UCFL 308-24 | 1- <sup>1</sup> / <sub>2</sub>             | 7- <sup>7</sup> / <sub>8</sub>    | 5- <sup>7</sup> / <sub>32</sub>   | <sup>29</sup> / <sub>32</sub>    | <sup>21</sup> / <sub>32</sub>    | 1- <sup>9</sup> / <sub>16</sub>  | <sup>29</sup> / <sub>32</sub>    | 4- <sup>13</sup> / <sub>32</sub> | 1- <sup>13</sup> / <sub>64</sub> | 2.0472         | 0.748 | <sup>3</sup> / <sub>4</sub>               | UCFL 308-24 |             |             |
| UCFL 308-25 | 1- <sup>9</sup> / <sub>16</sub>            |                                   |                                   |                                  |                                  |                                  |                                  |                                  |                                  |                |       |   | UCFL 308-25 |             |             |
| UCFL 309    | 45   | 230                               | 177                               | 25                               | 18                               | 44                               | 25                               | 125                              | 60                               | 57             | 22    | M22                                       | UCFL 309    | FL309       | 3.4         |
| UCFL 309-26 | 1- <sup>5</sup> / <sub>8</sub>             |                                   |                                   |                                  |                                  |                                  |                                  |                                  |                                  |                |       |   | UCFL 309-26 |             |             |
| UCFL 309-27 | 1- <sup>11</sup> / <sub>16</sub>           | 9- <sup>1</sup> / <sub>16</sub>   | 6- <sup>31</sup> / <sub>32</sub>  | <sup>63</sup> / <sub>64</sub>    | <sup>23</sup> / <sub>32</sub>    | 1- <sup>23</sup> / <sub>32</sub> | <sup>63</sup> / <sub>64</sub>    | 4- <sup>29</sup> / <sub>32</sub> | 2- <sup>23</sup> / <sub>64</sub> | 2.2441         | 0.866 | <sup>7</sup> / <sub>8</sub>               | UCFL 309-27 |             |             |
| UCFL 309-28 | 1- <sup>3</sup> / <sub>4</sub>             |                                   |                                   |                                  |                                  |                                  |                                  |                                  |                                  |                |       |   | UCFL 309-28 |             |             |
| UCFL 310    | 50   | 240                               | 187                               | 28                               | 19                               | 48                               | 25                               | 140                              | 67                               | 61             | 22    | M22                                       | UCFL 310    | FL310       | 4.4         |
| UCFL 310-29 | 1- <sup>13</sup> / <sub>16</sub>           |                                   |                                   |                                  |                                  |                                  |                                  |                                  |                                  |                |       |   | UCFL 310-29 |             |             |
| UCFL 310-30 | 1- <sup>7</sup> / <sub>8</sub>             | 9- <sup>7</sup> / <sub>16</sub>   | 7- <sup>23</sup> / <sub>64</sub>  | 1- <sup>7</sup> / <sub>64</sub>  | <sup>3</sup> / <sub>4</sub>      | 1- <sup>7</sup> / <sub>8</sub>   | <sup>63</sup> / <sub>64</sub>    | 5- <sup>1</sup> / <sub>2</sub>   | 2- <sup>41</sup> / <sub>64</sub> | 2.4016         | 0.866 | <sup>7</sup> / <sub>8</sub>               | UCFL 310-30 |             |             |
| UCFL 310-31 | 1- <sup>15</sup> / <sub>16</sub>           |                                   |                                   |                                  |                                  |                                  |                                  |                                  |                                  |                |       |   | UCFL 310-31 |             |             |
| UCFL 311    | 55   | 250                               | 198                               | 30                               | 20                               | 52                               | 25                               | 150                              | 71                               | 66             | 25    | M22                                       | UCFL 311    | FL311       | 5.1         |
| UCFL 311-32 | 2  |                                   |                                   |                                  |                                  |                                  |                                  |                                  |                                  |                |       |   | UCFL 311-32 |             |             |
| UCFL 311-33 | 2- <sup>1</sup> / <sub>16</sub>            |                                   |                                   |                                  |                                  |                                  |                                  |                                  |                                  |                |       |   | UCFL 311-33 |             |             |
| UCFL 311-34 | 2- <sup>1</sup> / <sub>8</sub>             | 9- <sup>27</sup> / <sub>32</sub>  | 7- <sup>51</sup> / <sub>64</sub>  | 1- <sup>3</sup> / <sub>16</sub>  | <sup>25</sup> / <sub>32</sub>    | 2- <sup>1</sup> / <sub>16</sub>  | <sup>63</sup> / <sub>64</sub>    | 5- <sup>29</sup> / <sub>32</sub> | 2- <sup>51</sup> / <sub>64</sub> | 2.5984         | 0.948 | <sup>7</sup> / <sub>8</sub>               | UCFL 311-34 |             |             |
| UCFL 311-35 | 2- <sup>3</sup> / <sub>16</sub>            |                                   |                                   |                                  |                                  |                                  |                                  |                                  |                                  |                |       |   | UCFL 311-35 |             |             |
| UCFL 312    | 60   | 270                               | 212                               | 33                               | 22                               | 56                               | 31                               | 160                              | 78                               | 71             | 26    | M27                                       | UCFL 312    | FL312       | 6.1         |
| UCFL 312-36 | 2- <sup>1</sup> / <sub>4</sub>             |                                   |                                   |                                  |                                  |                                  |                                  |                                  |                                  |                |       |   | UCFL 312-36 |             |             |
| UCFL 312-37 | 2- <sup>5</sup> / <sub>16</sub>            | 10- <sup>5</sup> / <sub>8</sub>   | 8- <sup>11</sup> / <sub>32</sub>  | 1- <sup>19</sup> / <sub>64</sub> | <sup>7</sup> / <sub>8</sub>      | 2- <sup>7</sup> / <sub>32</sub>  | 1- <sup>7</sup> / <sub>32</sub>  | 6- <sup>5</sup> / <sub>64</sub>  | 3- <sup>5</sup> / <sub>64</sub>  | 2.9753         | 1.024 | 1   | UCFL 312-37 |             |             |
| UCFL 312-38 | 2- <sup>3</sup> / <sub>8</sub>             |                                   |                                   |                                  |                                  |                                  |                                  |                                  |                                  |                |       |   | UCFL 312-38 |             |             |
| UCFL 312-39 | 2- <sup>7</sup> / <sub>16</sub>            |                                   |                                   |                                  |                                  |                                  |                                  |                                  |                                  |                |       |   | UCFL 312-39 |             |             |
| UCFL 313    | 65   | 295                               | 240                               | 33                               | 25                               | 58                               | 31                               | 175                              | 78                               | 75             | 30    | M27                                       | UCFL 313    | FL313       | 7.8         |
| UCFL 313-40 | 2- <sup>1</sup> / <sub>2</sub>             | 11- <sup>5</sup> / <sub>8</sub>   | 9- <sup>29</sup> / <sub>64</sub>  | 1- <sup>19</sup> / <sub>64</sub> | <sup>31</sup> / <sub>32</sub>    | 2- <sup>9</sup> / <sub>32</sub>  | 1- <sup>7</sup> / <sub>32</sub>  | 6- <sup>7</sup> / <sub>8</sub>   | 3- <sup>5</sup> / <sub>64</sub>  | 2.9528         | 1.181 | 1   | UCFL 313-40 |             |             |
| UCFL 313-41 | 2- <sup>9</sup> / <sub>16</sub>            |                                   |                                   |                                  |                                  |                                  |                                  |                                  |                                  |                |       |   | UCFL 313-41 |             |             |
| UCFL 314    | 70   | 315                               | 250                               | 36                               | 28                               | 61                               | 35                               | 185                              | 81                               | 78             | 33    | M20                                       | UCFL 314    | FL314       | 9.0         |
| UCFL 314-42 | 2- <sup>5</sup> / <sub>8</sub>             |                                   |                                   |                                  |                                  |                                  |                                  |                                  |                                  |                |       |   | UCFL 314-42 |             |             |
| UCFL 314-43 | 2- <sup>1</sup> / <sub>16</sub>            | 12- <sup>13</sup> / <sub>32</sub> | 9- <sup>27</sup> / <sub>32</sub>  | 1- <sup>27</sup> / <sub>64</sub> | 1- <sup>3</sup> / <sub>32</sub>  | 2- <sup>13</sup> / <sub>32</sub> | 1- <sup>3</sup> / <sub>8</sub>   | 7- <sup>9</sup> / <sub>32</sub>  | 3- <sup>3</sup> / <sub>16</sub>  | 3.0708         | 1.299 | 1- <sup>1</sup> / <sub>8</sub>            | UCFL 314-43 |             |             |
| UCFL 314-44 | 2- <sup>3</sup> / <sub>4</sub>             |                                   |                                   |                                  |                                  |                                  |                                  |                                  |                                  |                |       |   | UCFL 314-44 |             |             |
| UCFL 315    | 75   | 320                               | 260                               | 39                               | 30                               | 66                               | 35                               | 195                              | 89                               | 82             | 32    | M30                                       | UCFL 315    | FL315       | 10          |
| UCFL 315-45 | 2- <sup>13</sup> / <sub>16</sub>           |                                   |                                   |                                  |                                  |                                  |                                  |                                  |                                  |                |       |   | UCFL 315-45 |             |             |
| UCFL 315-46 | 2- <sup>7</sup> / <sub>8</sub>             | 12- <sup>19</sup> / <sub>32</sub> | 10- <sup>15</sup> / <sub>64</sub> | 1- <sup>17</sup> / <sub>32</sub> | 1- <sup>3</sup> / <sub>16</sub>  | 2- <sup>19</sup> / <sub>32</sub> | 1- <sup>3</sup> / <sub>8</sub>   | 7- <sup>11</sup> / <sub>16</sub> | 3- <sup>1</sup> / <sub>2</sub>   | 3.2283         | 1.260 | 1- <sup>1</sup> / <sub>8</sub>            | UCFL 315-46 |             |             |
| UCFL 315-47 | 2- <sup>15</sup> / <sub>16</sub>           |                                   |                                   |                                  |                                  |                                  |                                  |                                  |                                  |                |       |   | UCFL 315-47 |             |             |
| UCFL 315-48 | 3  |                                   |                                   |                                  |                                  |                                  |                                  |                                  |                                  |                |       |   | UCFL 315-48 |             |             |
| UCFL 316    | 80   | 355                               | 285                               | 38                               | 32                               | 68                               | 38                               | 210                              | 90                               | 86             | 34    | M33                                       | UCFL 316    | FL316       | 13          |
| UCFL 316-49 | 3- <sup>1</sup> / <sub>16</sub>            |                                   |                                   |                                  |                                  |                                  |                                  |                                  |                                  |                |       |   | UCFL 316-49 |             |             |
| UCFL 316-50 | 3- <sup>1</sup> / <sub>8</sub>             | 13- <sup>31</sup> / <sub>32</sub> | 11- <sup>7</sup> / <sub>32</sub>  | 1- <sup>1</sup> / <sub>2</sub>   | 1- <sup>1</sup> / <sub>4</sub>   | 2- <sup>11</sup> / <sub>16</sub> | 1- <sup>1</sup> / <sub>2</sub>   | 8- <sup>9</sup> / <sub>32</sub>  | 3- <sup>35</sup> / <sub>64</sub> | 3.3858         | 1.339 | 1- <sup>1</sup> / <sub>4</sub>            | UCFL 316-50 |             |             |
| UCFL 316-51 | 3- <sup>3</sup> / <sub>16</sub>            |                                   |                                   |                                  |                                  |                                  |                                  |                                  |                                  |                |       |   | UCFL 316-51 |             |             |
| UCFL 317    | 85   | 370                               | 300                               | 44                               | 32                               | 74                               | 38                               | 220                              | 100                              | 96             | 40    | M33                                       | UCFL 317    | FL317       | 15          |
| UCFL 317-52 | 3- <sup>1</sup> / <sub>4</sub>             |                                   |                                   |                                  |                                  |                                  |                                  |                                  |                                  |                |       |   | UCFL 317-52 |             |             |
| UCFL 317-53 | 3- <sup>5</sup> / <sub>16</sub>            | 14- <sup>9</sup> / <sub>16</sub>  | 11- <sup>13</sup> / <sub>14</sub> | 1- <sup>47</sup> / <sub>64</sub> | 1- <sup>1</sup> / <sub>4</sub>   | 2- <sup>29</sup> / <sub>32</sub> | 1- <sup>1</sup> / <sub>2</sub>   | 8- <sup>21</sup> / <sub>32</sub> | 3- <sup>15</sup> / <sub>16</sub> | 3.7795         | 1.575 | 1- <sup>1</sup> / <sub>4</sub>            | UCFL 317-53 |             |             |
| UCFL 317-55 | 3- <sup>7</sup> / <sub>16</sub>            |                                   |                                   |                                  |                                  |                                  |                                  |                                  |                                  |                |       |   | UCFL 317-55 |             |             |
| UCFL 318    | 90   | 385                               | 315                               | 44                               | 36                               | 76                               | 38                               | 235                              | 100                              | 96             | 40    | M33                                       | UCFL 318    | FL318       | 18          |
| UCFL 318-55 | 3- <sup>7</sup> / <sub>16</sub>            | 15- <sup>5</sup> / <sub>32</sub>  | 12- <sup>13</sup> / <sub>32</sub> | 1- <sup>47</sup> / <sub>64</sub> | 1- <sup>13</sup> / <sub>32</sub> | 3                                | 1- <sup>1</sup> / <sub>2</sub>   | 9- <sup>1</sup> / <sub>4</sub>   | 3- <sup>15</sup> / <sub>16</sub> | 3.7795         | 1.575 | 1- <sup>1</sup> / <sub>4</sub>            | UCFL 318-55 |             |             |
| UCFL 318-56 | 3- <sup>1</sup> / <sub>2</sub>             |                                   |                                   |                                  |                                  |                                  |                                  |                                  |                                  |                |       |   | UCFL 318-56 |             |             |
| UCFL 319    | 95   | 405                               | 330                               | 59                               | 40                               | 94                               | 41                               | 250                              | 121                              | 103            | 41    | M36                                       | UCFL 319    | FL319       | 22          |
| UCFL 319-58 | 3- <sup>5</sup> / <sub>8</sub>             |                                   |                                   |                                  |                                  |                                  |                                  |                                  |                                  |                |       |   | UCFL 319-58 |             |             |
| UCFL 319-59 | 3- <sup>11</sup> / <sub>16</sub>           | 15- <sup>15</sup> / <sub>16</sub> | 12- <sup>63</sup> / <sub>64</sub> | 2- <sup>21</sup> / <sub>64</sub> | 1- <sup>9</sup> / <sub>16</sub>  | 3- <sup>11</sup> / <sub>16</sub> | 1- <sup>39</sup> / <sub>64</sub> | 9- <sup>27</sup> / <sub>32</sub> | 4- <sup>49</sup> / <sub>64</sub> | 4.0551         | 1.614 | 1- <sup>3</sup> / <sub>8</sub>            | UCFL 319-59 |             |             |
| UCFL 319-60 | 3- <sup>3</sup> / <sub>4</sub>             |                                   |                                   |                                  |                                  |                                  |                                  |                                  |                                  |                |       |   | UCFL 319-60 |             |             |



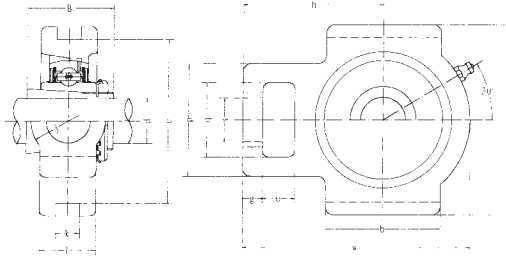
| Unit No.   | Dimensions <sup>mm</sup> / <sub>inch</sub> |         |        |         |         |         |         |        |         |         |          |         |         |         |        |       | Bearing No. | Housing No. | Weight (kg) |
|------------|--|---------|--------|---------|---------|---------|---------|--------|---------|---------|----------|---------|---------|---------|--------|-------|-------------|-------------|-------------|
|            | d  | O       | q      | p       | g       | S       | b       | k      | e       | a       | w        | j       | l       | h       | B      | n     |             |             |             |
| UCT 201    | 12   | 16      | 10     | 51      | 32      | 19      | 51      | 12     | 76      | 89      | 94       | 32      | 21      | 61      | 31     | 12.7  | UC 201      | T204        | 0.80        |
| UCT 201-8  | 3/4  | 5/8     | 25/64  | 1-1/64  | 1-1/4   | 3/4     | 2-1/64  | 15/32  | 2-63/64 | 3-1/2   | 3-11/16  | 1-1/4   | 13/16   | 2-13/32 | 1.2205 | 0.500 | UC 201-8    |             | 0.79        |
| UCT 202    | 15   | 16      | 10     | 51      | 32      | 19      | 51      | 12     | 76      | 89      | 94       | 32      | 21      | 61      | 31     | 12.7  | UC 202      | T204        | 0.79        |
| UCT 202-9  | 9/16                                       | 5/8     | 25/64  | 1-1/64  | 1-1/4   | 3/4     | 2-1/64  | 15/32  | 2-63/64 | 3-1/2   | 3-11/16  | 1-1/4   | 13/16   | 2-13/32 | 1.2205 | 0.500 | UC 202-9    |             | 0.79        |
| UCT 202-10 | 5/8  |         |        |         |         |         |         |        |         |         |          |         |         |         |        |       | UC 202-10   |             | 0.79        |
| UCT 203    | 17   | 16      | 10     | 51      | 32      | 19      | 51      | 12     | 76      | 89      | 94       | 32      | 21      | 61      | 31     | 12.7  | UC 203      | T204        | 0.78        |
| UCT 203-11 | 11/16                                      | 5/8     | 25/64  | 1-1/64  | 1-1/4   | 3/4     | 2-1/64  | 15/32  | 2-63/64 | 3-1/2   | 3-11/16  | 1-1/4   | 13/16   | 2-13/32 | 1.2205 | 0.500 | UC 203-11   |             | 0.77        |
| UCT 204    | 20   | 16      | 10     | 51      | 32      | 19      | 51      | 12     | 76      | 89      | 94       | 32      | 21      | 61      | 31     | 12.7  | UC 204      | T204        | 0.76        |
| UCT 204-12 | 3/4  | 5/8     | 25/64  | 1-1/64  | 1-1/4   | 3/4     | 2-1/64  | 15/32  | 2-63/64 | 3-1/2   | 3-11/16  | 1-1/4   | 13/16   | 2-13/32 | 1.2205 | 0.500 | UC 204-12   |             | 0.76        |
| UCT 205    | 25   | 16      | 10     | 51      | 32      | 19      | 51      | 12     | 76      | 89      | 97       | 32      | 24      | 62      | 34.1   | 14.3  | UC 205      | T205        | 0.81        |
| UCT 205-13 | 13/16                                      |         |        |         |         |         |         |        |         |         |          |         |         |         |        |       | UC 205-13   |             | 0.85        |
| UCT 205-14 | 7/8  | 5/8     | 25/64  | 1-1/64  | 1-1/4   | 3/4     | 2-1/64  | 15/32  | 2-63/64 | 3-1/2   | 3-13/16  | 1-1/4   | 15/16   | 2-7/16  | 1.3425 | 0.563 | UC 205-14   |             | 0.84        |
| UCT 205-15 | 15/16                                      |         |        |         |         |         |         |        |         |         |          |         |         |         |        |       | UC 205-15   |             | 0.82        |
| UCT 205-16 | 1  |         |        |         |         |         |         |        |         |         |          |         |         |         |        |       | UC 205-16   |             | 0.81        |
| UCT 206    | 30   | 16      | 10     | 56      | 37      | 22      | 57      | 12     | 89      | 102     | 113      | 37      | 28      | 70      | 38.1   | 15.9  | UC 206      | T206        | 1.22        |
| UCT 206-17 | 1-1/16                                     |         |        |         |         |         |         |        |         |         |          |         |         |         |        |       | UC 206-17   |             | 1.23        |
| UCT 206-18 | 1-1/8                                      |         |        |         |         |         |         |        |         |         |          |         |         |         |        |       | UC 206-18   |             | 1.24        |
| UCT 206-19 | 1-3/16                                     | 5/8     | 25/64  | 2-7/32  | 1-29/64 | 55/64   | 2-1/4   | 15/32  | 3-1/2   | 4-1/64  | 4-29/64  | 1-29/64 | 1-3/32  | 2-3/4   | 1.5000 | 0.626 | UC 206-19   |             | 1.22        |
| UCT 206-20 | 1-1/4                                      |         |        |         |         |         |         |        |         |         |          |         |         |         |        |       | UC 206-20   |             | 1.21        |
| UCT 207    | 35   | 16      | 13     | 64      | 37      | 22      | 64      | 12     | 89      | 102     | 129      | 37      | 30      | 78      | 42.9   | 17.5  | UC 207      | T207        | 1.44        |
| UCT 207-20 | 1-1/4                                      |         |        |         |         |         |         |        |         |         |          |         |         |         |        |       | UC 207-20   |             | 1.50        |
| UCT 207-21 | 1-5/16                                     | 5/8     | 33/64  | 2-33/64 | 1-29/64 | 55/64   | 2-33/64 | 15/32  | 3-1/2   | 4-1/64  | 5-5/64   | 1-29/64 | 1-3/16  | 3-5/64  | 1.6890 | 0.689 | UC 207-21   |             | 1.46        |
| UCT 207-22 | 1-3/8                                      |         |        |         |         |         |         |        |         |         |          |         |         |         |        |       | UC 207-22   |             | 1.44        |
| UCT 207-23 | 1-7/16                                     |         |        |         |         |         |         |        |         |         |          |         |         |         |        |       | UC 207-23   |             | 1.41        |
| UCT 208    | 40   | 19      | 16     | 83      | 49      | 29      | 83      | 16     | 102     | 114     | 144      | 49      | 33      | 89      | 49.2   | 19    | UC 208      | T208        | 2.40        |
| UCT 208-24 | 1-1/2                                      | 3/4     | 5/8    | 3-17/64 | 1-15/16 | 1-9/64  | 3-17/64 | 5/8    | 4-1/64  | 4-31/64 | 5-43/64  | 1-15/16 | 1-5/16  | 3-1/2   | 1.9370 | 0.748 | UC 208-24   |             | 2.44        |
| UCT 208-25 | 1-9/16                                     |         |        |         |         |         |         |        |         |         |          |         |         |         |        |       | UC 208-25   |             | 2.41        |
| UCT 209    | 45   | 19      | 16     | 83      | 49      | 29      | 83      | 16     | 102     | 117     | 144      | 49      | 35      | 87      | 49.2   | 19    | UC 209      | T209        | 2.36        |
| UCT 209-26 | 1-5/8                                      |         |        |         |         |         |         |        |         |         |          |         |         |         |        |       | UC 209-26   |             | 2.46        |
| UCT 209-27 | 1-11/16                                    | 3/4     | 5/8    | 3-17/64 | 1-15/16 | 1-9/64  | 3-17/64 | 5/8    | 4-1/64  | 4-39/64 | 5-43/64  | 1-15/16 | 1-3/8   | 3-27/64 | 1.9370 | 0.748 | UC 209-27   |             | 2.42        |
| UCT 209-28 | 1-3/4                                      |         |        |         |         |         |         |        |         |         |          |         |         |         |        |       | UC 209-28   |             | 2.38        |
| UCT 210    | 50   | 19      | 16     | 83      | 49      | 29      | 86      | 16     | 102     | 117     | 149      | 49      | 37      | 90      | 51.6   | 19    | UC 210      | T210        | 2.43        |
| UCT 210-29 | 1-13/16                                    |         |        |         |         |         |         |        |         |         |          |         |         |         |        |       | UC 210-29   |             | 2.55        |
| UCT 210-30 | 1-7/8                                      | 3/4     | 5/8    | 3-17/64 | 1-15/16 | 1-9/64  | 3-17/64 | 5/8    | 4-1/64  | 4-39/64 | 5-55/64  | 1-15/16 | 1-15/32 | 3-35/64 | 2.0315 | 0.748 | UC 210-30   |             | 2.50        |
| UCT 210-31 | 1-15/16                                    |         |        |         |         |         |         |        |         |         |          |         |         |         |        |       | UC 210-31   |             | 2.45        |
| UCT 210-32 | 2  |         |        |         |         |         |         |        |         |         |          |         |         |         |        |       | UC 210-32   |             | 2.41        |
| UCT 211    | 55   | 25      | 19     | 102     | 64      | 35      | 95      | 22     | 130     | 146     | 171      | 64      | 38      | 106     | 55.6   | 22.2  | UC 211      | T211        | 4.11        |
| UCT 211-32 | 2  |         |        |         |         |         |         |        |         |         |          |         |         |         |        |       | UC 211-32   |             | 4.26        |
| UCT 211-33 | 2-1/16                                     |         |        |         |         |         |         |        |         |         |          |         |         |         |        |       | UC 211-33   |             | 4.20        |
| UCT 211-34 | 2-1/8                                      | 63/64   | 3/4    | 4-1/64  | 2-1/32  | 1-3/8   | 3-3/4   | 55/64  | 5-1/8   | 5-3/4   | 6-47/64  | 2-33/64 | 1-1/2   | 4-11/64 | 2.1890 | 0.874 | UC 211-34   |             | 4.15        |
| UCT 211-35 | 2-3/16                                     |         |        |         |         |         |         |        |         |         |          |         |         |         |        |       | UC 211-35   |             | 4.09        |
| UCT 212    | 60   | 32      | 19     | 102     | 64      | 35      | 102     | 22     | 130     | 146     | 194      | 64      | 42      | 119     | 65.1   | 25.4  | UC 212      | T212        | 4.97        |
| UCT 212-36 | 2-1/4                                      |         |        |         |         |         |         |        |         |         |          |         |         |         |        |       | UC 212-36   |             | 5.10        |
| UCT 212-37 | 2-5/16                                     | 1-17/64 | 3/4    | 4-1/64  | 2-1/32  | 1-3/8   | 4-1/64  | 55/64  | 5-1/8   | 5-3/4   | 7-41/64  | 2-33/64 | 1-21/32 | 4-11/16 | 2.5630 | 1.000 | UC 212-37   |             | 5.02        |
| UCT 212-38 | 2-3/8                                      |         |        |         |         |         |         |        |         |         |          |         |         |         |        |       | UC 212-38   |             | 4.95        |
| UCT 212-39 | 2-7/16                                     |         |        |         |         |         |         |        |         |         |          |         |         |         |        |       | UC 212-39   |             | 4.88        |
| UCT 213    | 65   | 32      | 21     | 111     | 70      | 41      | 121     | 26     | 151     | 167     | 224      | 70      | 44      | 137     | 65.1   | 25.4  | UC 213      | T213        | 6.65        |
| UCT 213-40 | 2-1/2                                      |         |        |         |         |         |         |        |         |         |          |         |         |         |        |       | UC 213-40   |             | 6.74        |
| UCT 213-41 | 2-9/16                                     | 1-17/64 | 53/64  | 4-3/8   | 2-3/4   | 1-39/64 | 4-49/64 | 1-1/32 | 5-15/16 | 6-37/64 | 8-13/16  | 2-3/4   | 1-23/32 | 5-25/64 | 2.5630 | 1.000 | UC 213-41   |             | 6.65        |
| UCT 214    | 70   | 32      | 21     | 111     | 70      | 41      | 121     | 26     | 151     | 167     | 224      | 70      | 46      | 137     | 74.6   | 30.2  | UC 214      | T214        | 7.05        |
| UCT 214-42 | 2-5/8                                      |         |        |         |         |         |         |        |         |         |          |         |         |         |        |       | UC 214-42   |             | 7.26        |
| UCT 214-43 | 2-11/16                                    | 1-17/64 | 53/64  | 4-3/8   | 2-3/4   | 1-39/64 | 4-49/64 | 1-1/32 | 5-15/16 | 6-37/64 | 8-13/16  | 2-3/4   | 1-13/16 | 5-25/64 | 2.9370 | 1.189 | UC 214-43   |             | 7.16        |
| UCT 214-44 | 2-3/4                                      |         |        |         |         |         |         |        |         |         |          |         |         |         |        |       | UC 214-44   |             | 7.06        |
| UCT 215    | 75   | 32      | 21     | 111     | 70      | 41      | 121     | 26     | 151     | 167     | 232      | 70      | 48      | 140     | 77.8   | 33.3  | UC 215      | T215        | 7.41        |
| UCT 215-45 | 2-13/16                                    |         |        |         |         |         |         |        |         |         |          |         |         |         |        |       | UC 215-45   |             | 7.66        |
| UCT 215-46 | 2-7/8                                      |         |        |         |         |         |         |        |         |         |          |         |         |         |        |       | UC 215-46   |             | 7.55        |
| UCT 215-47 | 2-15/16                                    | 1-17/64 | 53/64  | 4-3/8   | 2-3/4   | 1-36/64 | 4-49/64 | 1-1/32 | 5-15/16 | 6-37/64 | 9-9/64   | 2-3/4   | 1-57/64 | 5-33/64 | 3.0630 | 1.311 | UC 215-47   |             | 7.44        |
| UCT 215-48 | 3  |         |        |         |         |         |         |        |         |         |          |         |         |         |        |       | UC 215-48   |             | 7.32        |
| UCT 216    | 80   | 32      | 21     | 111     | 70      | 41      | 121     | 26     | 165     | 184     | 235      | 70      | 51      | 140     | 82.6   | 33.3  | UC 216      | T216        | 8.30        |
| UCT 216-49 | 3-1/16                                     | 1-17/64 | 53/64  | 4-3/8   | 2-3/4   | 1-39/64 | 4-49/64 | 1-1/32 | 6-1/2   | 7-1/4   | 9-1/4    | 2-3/4   | 2       | 5-33/64 | 3.2520 | 1.311 | UC 216-49   |             | 8.48        |
| UCT 216-50 | 3-1/8                                      |         |        |         |         |         |         |        |         |         |          |         |         |         |        |       | UC 216-50   |             | 8.35        |
| UCT 216-51 | 3-3/16                                     |         |        |         |         |         |         |        |         |         |          |         |         |         |        |       | UC 216-51   |             | 8.22        |
| UCT 217    | 85   | 38      | 29     | 124     | 73      | 48      | 157     | 30     | 173     | 198     | 260      | 73      | 54      | 162     | 85.7   | 34.1  | UC 217      | T217        | 11.00       |
| UCT 217-52 | 3-1/4                                      |         |        |         |         |         |         |        |         |         |          |         |         |         |        |       | UC 217-52   |             | 11.22       |
| UCT 217-53 | 3-5/16                                     | 1-1/2   | 1-9/64 | 4-7/8   | 2-7/8   | 1-57/64 | 6-3/16  | 1-3/16 | 6-13/16 | 7-51/64 | 10-15/64 | 2-7/8   | 2-1/8   | 6-3/8   | 3.3740 | 1.343 | UC 217-53   |             | 11.09       |
| UCT 217-55 | 3-7/16                                     |         |        |         |         |         |         |        |         |         |          |         |         |         |        |       | UC 217-55   |             | 10.80       |

# Take-up Units

## NAT 2 (normal duty) (With Eccentric Locking Collar)



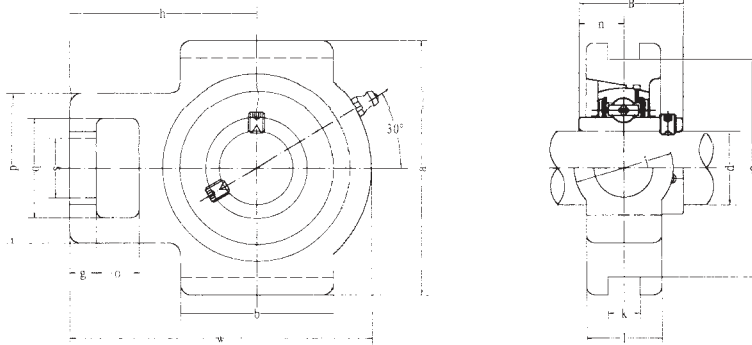
| Unit No.   | Dimensions <sup>mm</sup> / <sub>inch</sub> |         |       |         |         |         |         |        |         |         |         |         |         |         |                |       | Bearing No. | Housing No. | Weight (kg) |
|------------|--|---------|-------|---------|---------|---------|---------|--------|---------|---------|---------|---------|---------|---------|----------------|-------|-------------|-------------|-------------|
|            | d  | O       | g     | p       | q       | s       | b       | k      | e       | a       | w       | j       | i       | h       | B <sub>1</sub> | n     |             |             |             |
| NAT 204    | 20   | 16      | 10    | 51      | 32      | 19      | 51      | 12     | 76      | 89      | 94      | 32      | 21      | 61      | 43.7           | 17.1  | NA 204      | T204        | 0.83        |
| NAT 204-12 | 3/4  | 5/8     | 25/64 | 1-1/16  | 1-1/4   | 3/4     | 2-1/64  | 15/32  | 2-63/64 | 3-1/2   | 3-11/16 | 1-1/4   | 13/16   | 2-13/32 | 1.720          | 0.673 | NA 204-12   |             | 0.83        |
| NAT 205    | 25   | 16      | 10    | 51      | 32      | 19      | 51      | 12     | 76      | 89      | 97      | 32      | 24      | 62      | 44.4           | 17.5  | NA 205      | T205        | 0.88        |
| NAT 205-13 | 13/16                                      |         |       |         |         |         |         |        |         |         |         |         |         |         |                |       | NA 205-13   |             | 0.93        |
| NAT 205-14 | 7/8  | 5/8     | 25/64 | 1-1/16  | 1-1/4   | 3/4     | 2-1/64  | 15/32  | 2-63/64 | 3-1/2   | 3-13/16 | 1-1/4   | 15/16   | 2-7/16  | 1.748          | 0.689 | NA 205-14   |             | 0.92        |
| NAT 205-15 | 15/16                                      |         |       |         |         |         |         |        |         |         |         |         |         |         |                |       | NA 205-15   |             | 0.90        |
| NAT 205-16 | 1  |         |       |         |         |         |         |        |         |         |         |         |         |         |                |       | NA 205-16   |             | 0.88        |
| NAT 206    | 30   | 16      | 10    | 56      | 37      | 22      | 57      | 12     | 89      | 102     | 113     | 37      | 28      | 70      | 48.4           | 18.3  | NA 206      | T206        | 1.35        |
| NAT 206-17 | 1-1/16                                     |         |       |         |         |         |         |        |         |         |         |         |         |         |                |       | NA 206-17   |             | 1.40        |
| NAT 206-18 | 1-1/8                                      | 5/8     | 25/64 | 2-7/32  | 1-29/64 | 55/64   | 2-1/4   | 15/32  | 3-1/2   | 4-1/64  | 4-29/64 | 4-29/64 | 1-3/32  | 2-3/4   | 1.906          | 0.720 | NA 206-18   |             | 1.37        |
| NAT 206-19 | 1-3/16                                     |         |       |         |         |         |         |        |         |         |         |         |         |         |                |       | NA 206-19   |             | 1.35        |
| NAT 206-20 | 1-1/4                                      |         |       |         |         |         |         |        |         |         |         |         |         |         |                |       | NA 206-20   |             | 1.32        |
| NAT 207    | 35   | 16      | 13    | 64      | 37      | 22      | 64      | 12     | 89      | 102     | 129     | 37      | 30      | 78      | 51.1           | 18.8  | NA 207      | T207        | 1.56        |
| NAT 207-20 | 1-1/4                                      |         |       |         |         |         |         |        |         |         |         |         |         |         |                |       | NA 207-20   |             | 1.63        |
| NAT 207-21 | 1-5/16                                     | 5/8     | 33/64 | 2-33/64 | 1-29/64 | 55/64   | 2-33/64 | 15/32  | 3-1/2   | 4-1/64  | 5-5/64  | 1-29/64 | 1-3/16  | 3-5/64  | 2.012          | 0.740 | NA 204-21   |             | 1.59        |
| NAT 207-22 | 1-3/8                                      |         |       |         |         |         |         |        |         |         |         |         |         |         |                |       | NA 207-22   |             | 1.56        |
| NAT 207-23 | 1-7/16                                     |         |       |         |         |         |         |        |         |         |         |         |         |         |                |       | NA 207-23   |             | 1.53        |
| NAT 208    | 40   | 19      | 16    | 83      | 49      | 29      | 83      | 16     | 102     | 114     | 144     | 49      | 33      | 89      | 56.3           | 21.4  | NA 208      | T208        | 2.55        |
| NAT 208-24 | 1-1/2                                      | 3/4     | 5/8   | 3-17/64 | 1-15/16 | 1-9/64  | 3-17/64 | 5/8    | 4-1/64  | 4-31/64 | 4-43/64 | 1-15/16 | 1-5/16  | 3-1/2   | 2.217          | 0.843 | NA 208-24   |             | 2.60        |
| NAT 208-25 | 1-9/16                                     |         |       |         |         |         |         |        |         |         |         |         |         |         |                |       | NA 208-25   |             | 2.56        |
| NAT 209    | 45   | 19      | 16    | 83      | 49      | 29      | 83      | 16     | 102     | 117     | 144     | 49      | 35      | 87      | 56.3           | 21.4  | NA 209      | T209        | 2.53        |
| NAT 209-26 | 1-5/8                                      |         |       |         |         |         |         |        |         |         |         |         |         |         |                |       | NA 209-26   |             | 2.64        |
| NAT 209-27 | 1-11/16                                    | 3/4     | 5/8   | 3-17/64 | 1-15/16 | 1-9/64  | 3-17/64 | 5/8    | 4-1/64  | 4-39/64 | 5-43/64 | 1-15/16 | 1-3/8   | 3-27/64 | 2.217          | 0.843 | NA 209-27   |             | 2.59        |
| NAT 209-28 | 1-3/4                                      |         |       |         |         |         |         |        |         |         |         |         |         |         |                |       | NA 209-28   |             | 2.55        |
| NAT 210    | 50   | 19      | 16    | 83      | 49      | 29      | 86      | 16     | 102     | 117     | 149     | 49      | 37      | 90      | 62.7           | 24.6  | NA 210      |             | T210        |
| NAT 210-29 | 1-13/16                                    |         |       |         |         |         |         |        |         |         |         |         |         |         |                |       | NA 210-29   | 2.77        |             |
| NAT 210-30 | 1-7/8                                      | 3/4     | 5/8   | 3-17/64 | 1-15/16 | 1-9/64  | 3-25/64 | 5/8    | 4-1/64  | 4-39/64 | 5-55/64 | 1-15/16 | 1-15/32 | 3-35/64 | 2.469          | 0.969 | NA 210-30   | 2.71        |             |
| NAT 210-31 | 1-15/16                                    |         |       |         |         |         |         |        |         |         |         |         |         |         |                |       | NA 210-31   | 2.65        |             |
| NAT 210-32 | 2  |         |       |         |         |         |         |        |         |         |         |         |         |         |                |       | NA 210-32   | 2.59        |             |
| NAT 211    | 55   | 25      | 19    | 102     | 64      | 35      | 95      | 22     | 130     | 146     | 171     | 64      | 38      | 106     | 71.4           | 27.8  | NA 211      | T211        | 4.32        |
| NAT 211-32 | 2  |         |       |         |         |         |         |        |         |         |         |         |         |         |                |       | NA 211-32   |             | 4.52        |
| NAT 211-33 | 2-1/16                                     | 63/64   | 3/4   | 4-1/64  | 2-1/32  | 1-3/8   | 3-3/4   | 55/64  | 5-1/8   | 5-3/4   | 6-47/64 | 2-33/64 | 1-1/2   | 4-11/64 | 2.811          | 1.094 | NA 211-33   |             | 4.44        |
| NAT 211-34 | 2-1/8                                      |         |       |         |         |         |         |        |         |         |         |         |         |         |                |       | NA 211-34   |             | 4.37        |
| NAT 211-35 | 2-3/16                                     |         |       |         |         |         |         |        |         |         |         |         |         |         |                |       | NA 211-35   |             | 4.29        |
| NAT 212    | 60   | 32      | 19    | 102     | 64      | 35      | 102     | 22     | 130     | 146     | 194     | 64      | 42      | 119     | 77.8           | 31    | NA 212      | T212        | 5.31        |
| NAT 212-36 | 2-1/4                                      |         |       |         |         |         |         |        |         |         |         |         |         |         |                |       | NA 212-36   |             | 5.47        |
| NAT 212-37 | 2-5/16                                     | 1-17/64 | 3/4   | 4-1/64  | 2-1/32  | 1-3/8   | 4-1/64  | 55/64  | 5-1/8   | 5-3/4   | 7-41/64 | 2-33/64 | 1-21/32 | 4-11/16 | 3.063          | 1.220 | NA 212-37   |             | 5.38        |
| NAT 212-38 | 2-3/8                                      |         |       |         |         |         |         |        |         |         |         |         |         |         |                |       | NA 212-38   |             | 5.33        |
| NAT 212-39 | 2-7/16                                     |         |       |         |         |         |         |        |         |         |         |         |         |         |                |       | NA 212-39   |             | 5.20        |
| NAT 213    | 65   | 32      | 21    | 111     | 70      | 41      | 121     | 26     | 151     | 167     | 224     | 70      | 44      | 137     | 85.7           | 34.1  | NA 213      | T213        | 7.21        |
| NAT 213-40 | 2-1/2                                      | 1-17/64 | 53/64 | 4-3/8   | 2-3/4   | 1-39/64 | 4-49/64 | 1-1/32 | 5-15/16 | 6-37/64 | 8-13/16 | 2-3/4   | 1-23/32 | 5-25/64 | 3.374          | 1.343 | NA 213-40   |             | 7.31        |
| NAT 213-41 | 2-9/16                                     |         |       |         |         |         |         |        |         |         |         |         |         |         |                |       | NA 213-41   |             | 7.20        |
| NAT 214    | 70   | 32      | 21    | 111     | 70      | 41      | 121     | 26     | 151     | 167     | 224     | 70      | 46      | 137     | 85.7           | 34.1  | NA 214      | T214        | 7.55        |
| NAT 214-42 | 2-3/8                                      |         |       |         |         |         |         |        |         |         |         |         |         |         |                |       | NA 214-42   |             | 7.79        |
| NAT 214-43 | 2-11/16                                    | 1-17/64 | 53/64 | 4-3/8   | 2-3/4   | 1-39/64 | 4-49/64 | 1-1/32 | 5-15/16 | 6-37/64 | 8-13/16 | 2-3/4   | 1-13/16 | 5-25/64 | 3.374          | 1.343 | NA 214-43   |             | 7.68        |
| NAT 214-44 | 2-3/4                                      |         |       |         |         |         |         |        |         |         |         |         |         |         |                |       | NA 214-44   |             | 7.56        |
| NAT 215    | 75   | 32      | 21    | 111     | 70      | 41      | 121     | 26     | 151     | 167     | 232     | 70      | 48      | 140     | 92.1           | 37.3  | NA 215      | T215        | 8.04        |
| NAT 215-45 | 2-13/16                                    |         |       |         |         |         |         |        |         |         |         |         |         |         |                |       | NA 215-45   |             | 8.34        |
| NAT 215-46 | 2-7/8                                      | 1-17/64 | 53/64 | 4-3/8   | 2-3/4   | 1-39/64 | 4-49/64 | 1-1/32 | 5-15/16 | 6-37/64 | 9-9/64  | 2-3/4   | 1-57/64 | 5-33/64 | 3.626          | 1.426 | NA 215-46   |             | 8.21        |
| NAT 215-47 | 2-15/16                                    |         |       |         |         |         |         |        |         |         |         |         |         |         |                |       | NA 215-47   |             | 8.08        |
| NAT 215-48 | 3  |         |       |         |         |         |         |        |         |         |         |         |         |         |                |       | NA 215-48   |             | 7.94        |



| Unit No. | Dimensions <sup>mm</sup> / <sub>inch</sub> |               |              |               |               |               |                |              |                |                |                 |               |               |                |             | Bearing No. | Housing No. | No.                             | Weight (kg) |
|----------|--|---------------|--------------|---------------|---------------|---------------|----------------|--------------|----------------|----------------|-----------------|---------------|---------------|----------------|-------------|-------------|-------------|---------------------------------|-------------|
|          | d  | o             | g            | p             | q             | s             | b              | k            | e              | a              | w               | j             | l             | h              | B           |             |             |                                 |             |
| UKT 205  | 20<br>3/4                                  | 16<br>5/8     | 10<br>25/64  | 51<br>1-1/4   | 32<br>1-1/4   | 19<br>3/4     | 51<br>2-1/64   | 12<br>15/32  | 76<br>2-63/64  | 89<br>3-1/2    | 97<br>3-13/16   | 32<br>1-1/4   | 24<br>15/16   | 62<br>2-7/16   | 35<br>1.378 | UK205       | T205        | H305<br>HE305                   | 0.86        |
| UKT 206  | 25<br>7/8<br>1                             | 16<br>5/8     | 10<br>25/64  | 56<br>2-7/32  | 37<br>1-15/32 | 22<br>55/64   | 57<br>2-1/4    | 12<br>15/32  | 89<br>3-1/2    | 102<br>4-1/64  | 113<br>4-29/64  | 37<br>1-29/64 | 28<br>1-3/32  | 38<br>2-3/4    | 38<br>1.496 | UK 206      | T206        | H306<br>HS306<br>HE306          | 1.26        |
| UKT 207  | 30<br>1-1/8                                | 16<br>5/8     | 13<br>33/64  | 64<br>2-33/64 | 37<br>1-15/32 | 22<br>55/64   | 64<br>2-33/64  | 12<br>15/32  | 89<br>3-1/2    | 102<br>4-1/64  | 129<br>5-5/64   | 37<br>1-29/64 | 30<br>1-3/16  | 78<br>3-5/64   | 43<br>1.693 | UK 207      | T207        | H307<br>HS307                   | 2.50        |
| UKT 208  | 35<br>1-1/4<br>1-3/8                       | 19<br>3/4     | 16<br>5/8    | 83<br>3-17/64 | 49<br>1-15/16 | 29<br>1-9/64  | 83<br>3-17/64  | 16<br>5/8    | 102<br>4-1/64  | 114<br>4-31/64 | 144<br>5-43/64  | 49<br>1-15/16 | 33<br>1-5/16  | 89<br>3-1/2    | 46<br>1.811 | UK 208      | T208        | H308<br>HE308<br>HE308          | 2.50        |
| UKT 209  | 40<br>1-7/16<br>1-1/2<br>1-5/8             | 19<br>3/4     | 16<br>5/8    | 83<br>3-17/64 | 49<br>1-15/16 | 29<br>1-9/64  | 83<br>3-17/64  | 16<br>5/8    | 102<br>4-1/64  | 117<br>4-39/64 | 144<br>5-43/64  | 49<br>1-15/16 | 35<br>1-3/8   | 87<br>3-27/64  | 50<br>1.969 | UK 209      | T209        | H309<br>HA309<br>HE309<br>HS309 | 2.51        |
| UKT 210  | 45<br>1-5/8<br>1-11/16<br>1-3/4            | 19<br>3/4     | 16<br>5/8    | 83<br>3-17/64 | 49<br>1-15/16 | 29<br>1-9/64  | 86<br>3-25/64  | 16<br>5/8    | 102<br>4-1/64  | 117<br>4-39/64 | 149<br>5-55/64  | 49<br>1-15/16 | 37<br>1-15/32 | 90<br>3-35/64  | 55<br>2.165 | UK 210      | T210        | H310<br>HS310<br>HA310<br>HE310 | 2.60        |
| UKT 211  | 50<br>1-7/8<br>1-15/16<br>2                | 25<br>63/64   | 19<br>3/4    | 102<br>4-1/64 | 64<br>2-1/32  | 35<br>1-3/8   | 95<br>3-3/4    | 22<br>55/64  | 130<br>5-1/8   | 146<br>5-3/4   | 171<br>6-47/64  | 64<br>2-33/64 | 38<br>1-1/2   | 106<br>4-11/64 | 59<br>2.323 | UK 211      | T211        | H311<br>HS311<br>HA311<br>HE311 | 4.26        |
| UKT 212  | 55<br>2-1/8                                | 32<br>1-17/64 | 19<br>3/4    | 102<br>4-1/64 | 64<br>2-1/32  | 35<br>1-3/8   | 102<br>4-1/64  | 22<br>55/64  | 130<br>5-1/8   | 146<br>5-3/4   | 194<br>7-41/64  | 64<br>2-33/64 | 42<br>1-21/32 | 119<br>4-11/16 | 62<br>2.441 | UK 212      | T212        | H312<br>HS312                   | 5.02        |
| UKT 213  | 60<br>2-3/16<br>2-1/4<br>2-3/8             | 32<br>1-17/64 | 21<br>53/64  | 111<br>4-3/8  | 70<br>2-3/4   | 41<br>1-39/64 | 121<br>4-49/64 | 26<br>1-1/32 | 151<br>5-15/16 | 167<br>6-37/64 | 224<br>8-13/16  | 70<br>2-3/4   | 44<br>1-23/32 | 137<br>5-25/64 | 65<br>2.559 | UK 213      | T213        | H313<br>HA313<br>HE313<br>HS313 | 6.56        |
| UKT 215  | 65<br>2-7/16<br>2-1/2                      | 32<br>1-17/64 | 21<br>53/64  | 111<br>4-3/8  | 70<br>2-3/4   | 41<br>1-39/64 | 121<br>4-49/64 | 26<br>1-1/32 | 151<br>5-15/16 | 167<br>6-37/64 | 232<br>9-9/64   | 70<br>2-3/4   | 48<br>1-57/64 | 140<br>5-33/64 | 73<br>2.874 | UK 215      | T215        | H315<br>HA315<br>HE315          | 7.52        |
| UKT 216  | 70<br>2-11/16<br>2-3/4                     | 32<br>1-17/64 | 21<br>53/64  | 11<br>4-3/8   | 70<br>2-3/4   | 41<br>1-39/64 | 121<br>4-49/64 | 26<br>1-1/32 | 165<br>6-1/2   | 184<br>7-1/4   | 235<br>9-1/4    | 70<br>2-3/4   | 51<br>2       | 140<br>5-33/64 | 78<br>3.071 | UK 216      | T216        | H316<br>HA316<br>HE316          | 8.56        |
| UKT 217  | 75<br>2-15/16<br>3                         | 38<br>1-1/2   | 29<br>1-9/64 | 124<br>4-7/8  | 73<br>2-7/8   | 48<br>1-57/64 | 157<br>6-3/16  | 30<br>1-3/16 | 173<br>6-13/16 | 198<br>7-51/64 | 260<br>10-15/64 | 73<br>2-7/8   | 54<br>2-1/8   | 162<br>6-3/8   | 82<br>3.228 | UK 217      | T217        | H317<br>HA317<br>HE317          | 11.38       |

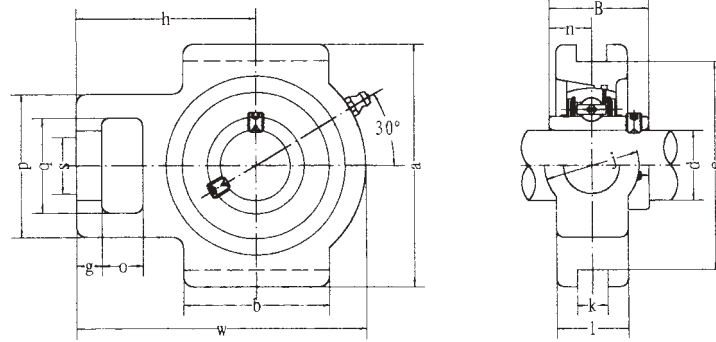
Take-up Units

UCTX (medium-duty)



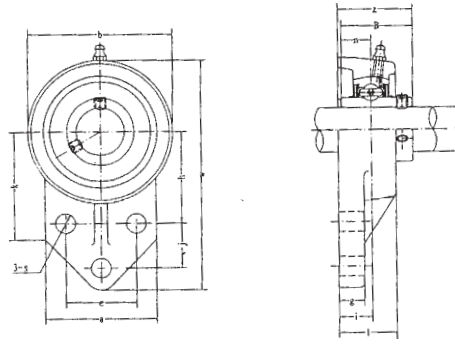
| Unit No.   | Dimensions <sup>mm</sup> / <sub>inch</sub> |         |        |         |         |         |         |       |         |         |          |         |         |         |                |        | Bearing No. | Housing No. | Weight (kg) |
|------------|--|---------|--------|---------|---------|---------|---------|-------|---------|---------|----------|---------|---------|---------|----------------|--------|-------------|-------------|-------------|
|            | d  | O       | g      | p       | q       | s       | b       | k     | e       | a       | w        | j       | i       | h       | B <sub>1</sub> | n      |             |             |             |
| UCTX 05    | 25   | 16      | 12     | 56      | 37      | 22      | 57      | 12    | 89      | 102     | 113      | 28      | 37      | 70      | 38.1           | 15.9   | UCTX 05     | TX05        | 1.4         |
| UCTX 05-13 | 13/16                                      |         |        |         |         |         |         |       |         |         |          |         |         |         |                |        | UCTX 05-13  |             |             |
| UCTX 05-14 | 7/8  | 5/8     | 15/32  | 2-7/32  | 1-15/32 | 55/64   | 2-1/4   | 0.472 | 3-1/2   | 4-1/64  | 4-29/64  | 1-3/32  | 1-29/64 | 2-3/4   | 1.5000         | 0.626  | UCTX 05-14  |             |             |
| UCTX 05-15 | 15/16                                      |         |        |         |         |         |         |       |         |         |          |         |         |         |                |        | UCTX 05-15  |             |             |
| UCTX 05-16 | 1  |         |        |         |         |         |         |       |         |         |          |         |         |         |                |        | UCTX 05-16  |             |             |
| UCTX 06    | 30   | 16      | 15     | 64      | 37      | 22      | 64      | 12    | 89      | 102     | 129      | 30      | 37      | 78      | 42.9           | 17.5   | UCTX 06     | TX06        | 1.8         |
| UCTX 06-17 | 1-1/16                                     |         |        |         |         |         |         |       |         |         |          |         |         |         |                |        | UCTX 06-17  |             |             |
| UCTX 06-18 | 1-1/8                                      | 5/8     | 19/32  | 2-33/64 | 1-29/64 | 55/64   | 2-33/64 | 0.472 | 3-1/2   | 4-1/64  | 5-5/64   | 1-3/16  | 1-29/64 | 3-5/64  | 1.6890         | 0.689  | UCTX 06-18  |             |             |
| UCTX 06-19 | 1-3/16                                     |         |        |         |         |         |         |       |         |         |          |         |         |         |                |        | UCTX 06-19  |             |             |
| UCTX 06-20 | 1-1/4                                      |         |        |         |         |         |         |       |         |         |          |         |         |         |                |        | UCTX 06-20  |             |             |
| UCTX 07    | 35   | 19      | 17     | 83      | 49      | 29      | 83      | 16    | 102     | 114     | 144      | 36      | 49      | 88      | 49.2           | 19     | UCTX 07     | TX07        | 2.6         |
| UCTX 07-21 | 1-5/16                                     |         |        |         |         |         |         |       |         |         |          |         |         |         |                |        | UCTX 07-21  |             |             |
| UCTX 07-22 | 1-3/8                                      | 3/4     | 21/32  | 3-17/64 | 1-15/16 | 1-9/64  | 3-17/64 | 0.630 | 4-1/64  | 4-31/64 | 5-43/64  | 1-13/32 | 1-15/16 | 3-15/32 | 1.9370         | 0.748  | UCTX 07-22  |             |             |
| UCTX 07-23 | 1-7/16                                     |         |        |         |         |         |         |       |         |         |          |         |         |         |                |        | UCTX 07-23  |             |             |
| UCTX 08    | 40   | 19      | 17     | 83      | 49      | 29      | 83      | 16    | 102     | 117     | 144      | 36      | 49      | 87      | 49.2           | 19     | UCTX 08     | TX08        | 2.6         |
| UCTX 08-24 | 1-1/2                                      | 3/4     | 21/32  | 3-17/64 | 1-15/16 | 1-9/64  | 3-17/64 | 0.630 | 4-1/64  | 4-39/64 | 5-43/64  | 1-13/32 | 1-15/16 | 3-27/64 | 1.9370         | 0.748  | UCTX 08-24  |             |             |
| UCTX 08-25 | 1-9/16                                     |         |        |         |         |         |         |       |         |         |          |         |         |         |                |        | UCTX 08-25  |             |             |
| UCTX 09    | 45   | 19      | 18     | 83      | 49      | 29      | 86      | 16    | 102     | 117     | 151      | 38      | 49      | 92      | 51.6           | 19     | UCTX 09     | TX09        | 2.8         |
| UCTX 09-26 | 1-5/8                                      |         |        |         |         |         |         |       |         |         |          |         |         |         |                |        | UCTX 09-26  |             |             |
| UCTX 09-27 | 1-11/16                                    | 3/4     | 23/32  | 3-17/64 | 1-15/16 | 1-9/64  | 3-25/64 | 0.630 | 4-1/64  | 4-39/64 | 5-15/16  | 1-1/2   | 1-15/16 | 3-5/8   | 2.0315         | 0.748  | UCTX 09-27  |             |             |
| UCTX 09-28 | 1-3/4                                      |         |        |         |         |         |         |       |         |         |          |         |         |         |                |        | UCTX 09-28  |             |             |
| UCTX 09-29 | 1-13/16                                    |         |        |         |         |         |         |       |         |         |          |         |         |         |                |        | UCTX 09-29  |             |             |
| UCTX 10    | 50   | 25      | 21     | 102     | 64      | 35      | 95      | 22    | 130     | 146     | 171      | 42      | 64      | 106     | 55.6           | 22.2   | UCTX 10     | TX10        | 4.3         |
| UCTX 10-30 | 1-7/8                                      |         |        |         |         |         |         |       |         |         |          |         |         |         |                |        | UCTX 10-30  |             |             |
| UCTX 10-31 | 1-15/16                                    | 63/64   | 13/16  | 4-1/64  | 2-1/32  | 1-3/8   | 3-3/4   | 0.866 | 5-1/8   | 5-3/4   | 6-47/64  | 1-21/32 | 2-33/64 | 4-11/64 | 2.1890         | 0.874  | UCTX 10-31  |             |             |
| UCTX 10-32 | 2  |         |        |         |         |         |         |       |         |         |          |         |         |         |                |        | UCTX 10-32  |             |             |
| UCTX 11    | 55   | 32      | 21     | 102     | 64      | 35      | 102     | 22    | 130     | 146     | 194      | 44      | 64      | 119     | 65.1           | 25.4   | UCTX 11     | TX11        | 5.2         |
| UCTX 11-33 | 2-1/16                                     |         |        |         |         |         |         |       |         |         |          |         |         |         |                |        | UCTX 11-33  |             |             |
| UCTX 11-34 | 2-1/8                                      |         |        |         |         |         |         |       |         |         |          |         |         |         |                |        | UCTX 11-34  |             |             |
| UCTX 11-35 | 2-3/16                                     | 1-17/64 | 13/16  | 4-1/64  | 2-1/32  | 1-3/8   | 4-1/64  | 0.866 | 5-1/8   | 5-3/4   | 7-41/64  | 1-23/32 | 2-33/64 | 4-11/16 | 2.5630         | 1.000  | UCTX 11-35  |             |             |
| UCTX 11-36 | 2-1/4                                      |         |        |         |         |         |         |       |         |         |          |         |         |         |                |        | UCTX 11-36  |             |             |
| UCTX 11-37 | 2-5/16                                     |         |        |         |         |         |         |       |         |         |          |         |         |         |                |        | UCTX 11-37  |             |             |
| UCTX 12    | 60   | 32      | 23     | 111     | 70      | 41      | 121     | 26    | 151     | 167     | 224      | 48      | 70      | 137     | 65.1           | 25.4   | UCTX 12     | TX12        | 7.6         |
| UCTX 12-38 | 2-3/8                                      | 1-17/64 | 29/32  | 4-3/8   | 2-3/4   | 1-39/64 | 4-49/64 | 1.024 | 5-15/16 | 6-37/64 | 8-13/16  | 1-57/64 | 2-3/4   | 5-25/64 | 2.5630         | 1.000  | UCTX 12-38  |             |             |
| UCTX 12-39 | 2-7/16                                     |         |        |         |         |         |         |       |         |         |          |         |         |         |                |        | UCTX 12-39  |             |             |
| UCTX 13    | 65   | 32      | 23     | 111     | 70      | 41      | 121     | 26    | 151     | 167     | 224      | 48      | 70      | 137     | 74.6           | 30.2   | UCTX 13     | TX13        | 7.6         |
| UCTX 13-40 | 2-1/2                                      | 1-17/64 | 29/32  | 4-3/8   | 2-3/4   | 1-39/64 | 4-49/64 | 1.024 | 5-15/16 | 6-37/64 | 8-13/16  | 1-57/64 | 2-3/4   | 5-25/64 | 2.9370         | 1.189  | UCTX 13-40  |             |             |
| UCTX 13-41 | 2-9/16                                     |         |        |         |         |         |         |       |         |         |          |         |         |         |                |        | UCTX 13-41  |             |             |
| UCTX 14    | 70   | 32      | 23     | 111     | 70      | 41      | 121     | 26    | 151     | 167     | 232      | 48      | 70      | 140     | 77.8           | 33.3   | UCTX 14     | TX14        | 7.7         |
| UCTX 14-42 | 2-5/8                                      |         |        |         |         |         |         |       |         |         |          |         |         |         |                |        | UCTX 14-42  |             |             |
| UCTX 14-43 | 2-11/16                                    | 1-17/64 | 29/32  | 4-3/8   | 2-3/4   | 1-39/64 | 4-49/64 | 1.024 | 5-15/16 | 6-37/64 | 9-9/64   | 1-57/64 | 2-3/4   | 5-33/64 | 3.0630         | 1.311  | UCTX 14-43  |             |             |
| UCTX 14-44 | 2-3/4                                      |         |        |         |         |         |         |       |         |         |          |         |         |         |                |        | UCTX 14-44  |             |             |
| UCTX 15    | 75   | 32      | 23     | 111     | 70      | 41      | 121     | 28    | 165     | 184     | 235      | 48      | 70      | 140     | 82.6           | 33.3   | UCTX 15     | TX15        | 7.55        |
| UCTX 15-45 | 2-13/16                                    |         |        |         |         |         |         |       |         |         |          |         |         |         |                |        | UCTX 15-45  |             |             |
| UCTX 15-46 | 2-7/8                                      | 1-17/64 | 29/32  | 4-3/8   | 2-3/4   | 1-39/64 | 4-49/64 | 1.102 | 6-1/2   | 7-1/4   | 9-1/4    | 1-57/64 | 2-3/4   | 5-33/64 | 3.2520         | 1.311  | UCTX 15-46  |             |             |
| UCTX 15-47 | 2-15/16                                    |         |        |         |         |         |         |       |         |         |          |         |         |         |                |        | UCTX 15-47  |             |             |
| UCTX 15-48 | 3  |         |        |         |         |         |         |       |         |         |          |         |         |         |                |        | UCTX 15-48  |             |             |
| UCTX 16    | 80   | 38      | 30     | 124     | 73      | 48      | 157     | 28    | 173     | 198     | 260      | 54      | 73      | 162     | 85.7           | 34.1   | UCTX 16     | TX16        | 11          |
| UCTX 16-49 | 3-1/16                                     |         |        |         |         |         |         |       |         |         |          |         |         |         |                |        | UCTX 16-49  |             |             |
| UCTX 16-50 | 3-1/8                                      | 1-1/2   | 1-3/16 | 4-7/8   | 2-7/8   | 1-57/64 | 6-3/16  | 1.102 | 6-13/16 | 7-51/64 | 10-15/64 | 2-1/8   | 2-7/8   | 6-3/8   | 3.3740         | 1.343  | UCTX 16-50  |             |             |
| UCTX 16-51 | 3-1/16                                     |         |        |         |         |         |         |       |         |         |          |         |         |         |                |        | UCTX 16-51  |             |             |
| UCTX 16-52 | 3-1/4                                      |         |        |         |         |         |         |       |         |         |          |         |         |         |                |        | UCTX 16-52  |             |             |
| UCTX 17    | 85   | 38      | 30     | 124     | 73      | 48      | 157     | 28    | 173     | 198     | 560      | 54      | 73      | 162     | 96             | 39.7   | UCTX 17     | TX17        | 12          |
| UCTX 17-53 | 3-5/16                                     | 1-1/2   | 1-3/16 | 4-7/8   | 2-7/8   | 1-57/64 | 6-3/16  | 1.102 | 6-13/16 | 7-51/64 | 10-15/64 | 2-1/8   | 2-7/8   | 6-3/8   | 3.7795         | 1.5630 | UCTX 17-53  |             |             |
| UCTX 17-55 | 3-7/16                                     |         |        |         |         |         |         |       |         |         |          |         |         |         |                |        | UCTX 17-55  |             |             |



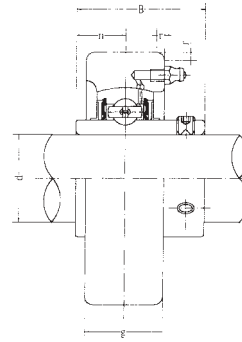
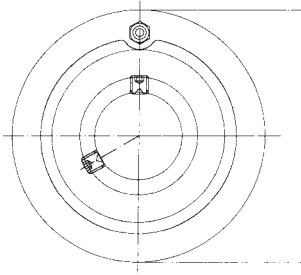


| Unit No.   | Dimensions <small>mm</small><br><small>inch</small> |                                    |                                  |                                    |                                    |                                    |                                    |       |                                    |                                    |                                     |                                    |                                    |                                    |                |       | Bearing No. | Housing No. | Weight (kg) |
|------------|---|------------------------------------|----------------------------------|------------------------------------|------------------------------------|------------------------------------|------------------------------------|-------|------------------------------------|------------------------------------|-------------------------------------|------------------------------------|------------------------------------|------------------------------------|----------------|-------|-------------|-------------|-------------|
|            | d   | O                                  | g                                | p                                  | q                                  | s                                  | b                                  | k     | e                                  | a                                  | w                                   | j                                  | i                                  | h                                  | B <sub>1</sub> | n     |             |             |             |
| UCT 305    | 25  | 16                                 | 14                               | 62                                 | 36                                 | 26                                 | 65                                 | 12    | 80                                 | 89                                 | 122                                 | 36                                 | 26                                 | 76                                 | 38             | 15    | UC 305      | T305        | 1.4         |
| UCT 305-13 | 1 <sup>9</sup> / <sub>16</sub>                      |                                    |                                  |                                    |                                    |                                    |                                    |       |                                    |                                    |                                     |                                    |                                    |                                    |                |       | UC 305-13   |             |             |
| UCT 305-14 | 7 <sup>7</sup> / <sub>8</sub>                       | 5 <sup>5</sup> / <sub>8</sub>      | 9 <sup>9</sup> / <sub>16</sub>   | 2-7 <sup>7</sup> / <sub>16</sub>   | 1-13 <sup>13</sup> / <sub>32</sub> | 1-1 <sup>1</sup> / <sub>32</sub>   | 2-9 <sup>9</sup> / <sub>16</sub>   | 0.472 | 3-5 <sup>5</sup> / <sub>32</sub>   | 3-1 <sup>1</sup> / <sub>2</sub>    | 4-13 <sup>13</sup> / <sub>16</sub>  | 1-13 <sup>13</sup> / <sub>32</sub> | 1-1 <sup>1</sup> / <sub>32</sub>   | 3                                  | 1.4961         | 0.591 | UC 305-14   |             |             |
| UCT 305-15 | 1 <sup>15</sup> / <sub>16</sub>                     |                                    |                                  |                                    |                                    |                                    |                                    |       |                                    |                                    |                                     |                                    |                                    |                                    |                |       | UC 205-15   |             |             |
| UCT 305-16 | 1   |                                    |                                  |                                    |                                    |                                    |                                    |       |                                    |                                    |                                     |                                    |                                    |                                    |                |       | UC 305-16   |             |             |
| UCT 306    | 30  | 18                                 | 16                               | 70                                 | 41                                 | 28                                 | 74                                 | 16    | 90                                 | 100                                | 137                                 | 41                                 | 28                                 | 85                                 | 43             | 17    | UC 306      | T306        | 1.8         |
| UCT 306-17 | 1-1 <sup>1</sup> / <sub>16</sub>                    | 2 <sup>23</sup> / <sub>32</sub>    | 5 <sup>5</sup> / <sub>8</sub>    | 2-3 <sup>3</sup> / <sub>4</sub>    | 1-5 <sup>5</sup> / <sub>8</sub>    | 1-3 <sup>3</sup> / <sub>32</sub>   | 2-29 <sup>29</sup> / <sub>32</sub> | 0.630 | 3-55 <sup>55</sup> / <sub>64</sub> | 3-15 <sup>15</sup> / <sub>16</sub> | 5-13 <sup>13</sup> / <sub>32</sub>  | 1-5 <sup>5</sup> / <sub>8</sub>    | 1-3 <sup>3</sup> / <sub>32</sub>   | 3-11 <sup>11</sup> / <sub>32</sub> | 1.6929         | 0.669 | UC 306-17   |             |             |
| UCT 306-18 | 1-1 <sup>1</sup> / <sub>8</sub>                     |                                    |                                  |                                    |                                    |                                    |                                    |       |                                    |                                    |                                     |                                    |                                    |                                    |                |       | UC 306-18   |             |             |
| UCT 306-19 | 1-3 <sup>3</sup> / <sub>16</sub>                    |                                    |                                  |                                    |                                    |                                    |                                    |       |                                    |                                    |                                     |                                    |                                    |                                    |                |       | UC 306-19   |             |             |
| UCT 307    | 35  | 20                                 | 17                               | 75                                 | 45                                 | 30                                 | 80                                 | 16    | 100                                | 111                                | 150                                 | 45                                 | 32                                 | 94                                 | 48             | 19    | UC 307      | T307        | 2.4         |
| UCT 307-20 | 1-1 <sup>1</sup> / <sub>4</sub>                     |                                    |                                  |                                    |                                    |                                    |                                    |       |                                    |                                    |                                     |                                    |                                    |                                    |                |       | UC 307-20   |             |             |
| UCT 307-21 | 1-5 <sup>5</sup> / <sub>16</sub>                    | 2 <sup>25</sup> / <sub>32</sub>    | 4 <sup>4</sup> / <sub>8</sub>    | 2-15 <sup>15</sup> / <sub>16</sub> | 1-2 <sup>2</sup> / <sub>5</sub>    | 1-3 <sup>3</sup> / <sub>16</sub>   | 2-5 <sup>5</sup> / <sub>32</sub>   | 0.630 | 3-15 <sup>15</sup> / <sub>16</sub> | 4-3 <sup>3</sup> / <sub>8</sub>    | 5-29 <sup>29</sup> / <sub>32</sub>  | 1-2 <sup>2</sup> / <sub>5</sub>    | 1-1 <sup>1</sup> / <sub>4</sub>    | 3-11 <sup>11</sup> / <sub>16</sub> | 1.8898         | 0.748 | UC 307-21   |             |             |
| UCT 307-22 | 1-3 <sup>3</sup> / <sub>8</sub>                     |                                    |                                  |                                    |                                    |                                    |                                    |       |                                    |                                    |                                     |                                    |                                    |                                    |                |       | UC 307-22   |             |             |
| UCT 307-23 | 1-7 <sup>7</sup> / <sub>16</sub>                    |                                    |                                  |                                    |                                    |                                    |                                    |       |                                    |                                    |                                     |                                    |                                    |                                    |                |       | UC 307-23   |             |             |
| UCT 308    | 40  | 22                                 | 19                               | 83                                 | 50                                 | 32                                 | 89                                 | 18    | 112                                | 124                                | 162                                 | 50                                 | 34                                 | 100                                | 52             | 19    | UC 308      | T308        | 3.0         |
| UCT 308-24 | 1-1 <sup>1</sup> / <sub>2</sub>                     | 7 <sup>7</sup> / <sub>8</sub>      | 3 <sup>3</sup> / <sub>4</sub>    | 3-17 <sup>17</sup> / <sub>64</sub> | 1-31 <sup>31</sup> / <sub>32</sub> | 1-1 <sup>1</sup> / <sub>4</sub>    | 3-1 <sup>1</sup> / <sub>2</sub>    | 0.709 | 4-13 <sup>13</sup> / <sub>32</sub> | 4-7 <sup>7</sup> / <sub>8</sub>    | 6-3 <sup>3</sup> / <sub>8</sub>     | 1-2 <sup>2</sup> / <sub>31</sub>   | 1-11 <sup>11</sup> / <sub>32</sub> | 3-15 <sup>15</sup> / <sub>16</sub> | 2.0472         | 0.748 | UC 308-24   |             |             |
| UCT 308-25 | 1-9 <sup>9</sup> / <sub>16</sub>                    |                                    |                                  |                                    |                                    |                                    |                                    |       |                                    |                                    |                                     |                                    |                                    |                                    |                |       | UC 308-25   |             |             |
| UCT 309    | 45  | 24                                 | 20                               | 90                                 | 55                                 | 34                                 | 97                                 | 18    | 125                                | 138                                | 178                                 | 55                                 | 38                                 | 100                                | 57             | 22    | UC 309      | T309        | 5.0         |
| UCT 309-26 | 1-5 <sup>5</sup> / <sub>8</sub>                     |                                    |                                  |                                    |                                    |                                    |                                    |       |                                    |                                    |                                     |                                    |                                    |                                    |                |       | UC 309-26   |             |             |
| UCT 309-27 | 1-11 <sup>11</sup> / <sub>16</sub>                  | 1 <sup>15</sup> / <sub>16</sub>    | 2 <sup>25</sup> / <sub>32</sub>  | 3-17 <sup>17</sup> / <sub>32</sub> | 2-5 <sup>5</sup> / <sub>32</sub>   | 1-11 <sup>11</sup> / <sub>32</sub> | 3-13 <sup>13</sup> / <sub>16</sub> | 0.709 | 4-59 <sup>59</sup> / <sub>64</sub> | 5-7 <sup>7</sup> / <sub>16</sub>   | 7                                   | 2-5 <sup>5</sup> / <sub>32</sub>   | 1-1 <sup>1</sup> / <sub>2</sub>    | 4-11 <sup>11</sup> / <sub>32</sub> | 2.2441         | 0.866 | UC 309-27   |             |             |
| UCT 309-28 | 1-3 <sup>3</sup> / <sub>4</sub>                     |                                    |                                  |                                    |                                    |                                    |                                    |       |                                    |                                    |                                     |                                    |                                    |                                    |                |       | UC 309-28   |             |             |
| UCT 310    | 50  | 27                                 | 22                               | 98                                 | 61                                 | 37                                 | 106                                | 20    | 140                                | 151                                | 192                                 | 61                                 | 40                                 | 118                                | 61             | 22    | UC 310      | T310        | 5.0         |
| UCT 310-29 | 1-13 <sup>13</sup> / <sub>16</sub>                  |                                    |                                  |                                    |                                    |                                    |                                    |       |                                    |                                    |                                     |                                    |                                    |                                    |                |       | UC 310-29   |             |             |
| UCT 310-30 | 1-7 <sup>7</sup> / <sub>8</sub>                     | 1-1 <sup>1</sup> / <sub>16</sub>   | 7 <sup>7</sup> / <sub>8</sub>    | 3-27 <sup>27</sup> / <sub>32</sub> | 2-13 <sup>13</sup> / <sub>32</sub> | 1-15 <sup>15</sup> / <sub>32</sub> | 4-3 <sup>3</sup> / <sub>16</sub>   | 0.787 | 5-33 <sup>33</sup> / <sub>64</sub> | 5-15 <sup>15</sup> / <sub>16</sub> | 7-9 <sup>9</sup> / <sub>16</sub>    | 2-13 <sup>13</sup> / <sub>32</sub> | 1-9 <sup>9</sup> / <sub>16</sub>   | 4-21 <sup>21</sup> / <sub>32</sub> | 2.4016         | 0.866 | UC 310-30   |             |             |
| UCT 310-31 | 1-15 <sup>15</sup> / <sub>16</sub>                  |                                    |                                  |                                    |                                    |                                    |                                    |       |                                    |                                    |                                     |                                    |                                    |                                    |                |       | UC 310-31   |             |             |
| UCT 311    | 55  | 29                                 | 23                               | 105                                | 66                                 | 39                                 | 115                                | 22    | 150                                | 163                                | 207                                 | 66                                 | 44                                 | 127                                | 66             | 25    | UC 311      | T311        | 6.4         |
| UCT 311-32 | 2   |                                    |                                  |                                    |                                    |                                    |                                    |       |                                    |                                    |                                     |                                    |                                    |                                    |                |       | UC 311-32   |             |             |
| UCT 311-33 | 2-1 <sup>1</sup> / <sub>16</sub>                    | 1-15 <sup>15</sup> / <sub>16</sub> | 2 <sup>29</sup> / <sub>32</sub>  | 4-1 <sup>1</sup> / <sub>8</sub>    | 2-19 <sup>19</sup> / <sub>32</sub> | 1-17 <sup>17</sup> / <sub>32</sub> | 4-17 <sup>17</sup> / <sub>32</sub> | 0.866 | 5-29 <sup>29</sup> / <sub>32</sub> | 6-13 <sup>13</sup> / <sub>32</sub> | 8-5 <sup>5</sup> / <sub>32</sub>    | 2-19 <sup>19</sup> / <sub>32</sub> | 1-23 <sup>23</sup> / <sub>32</sub> | 5                                  | 2.5984         | 0.984 | UC 311-33   |             |             |
| UCT 311-34 | 2-1 <sup>1</sup> / <sub>8</sub>                     |                                    |                                  |                                    |                                    |                                    |                                    |       |                                    |                                    |                                     |                                    |                                    |                                    |                |       | UC 311-34   |             |             |
| UCT 311-35 | 2-3 <sup>3</sup> / <sub>16</sub>                    |                                    |                                  |                                    |                                    |                                    |                                    |       |                                    |                                    |                                     |                                    |                                    |                                    |                |       | UC 311-35   |             |             |
| UCT 312    | 60  | 31                                 | 25                               | 113                                | 71                                 | 41                                 | 123                                | 22    | 160                                | 178                                | 220                                 | 71                                 | 46                                 | 135                                | 71             | 26    | UC 312      | 312         | 7.6         |
| UCT 312-36 | 2-1 <sup>1</sup> / <sub>4</sub>                     |                                    |                                  |                                    |                                    |                                    |                                    |       |                                    |                                    |                                     |                                    |                                    |                                    |                |       | UC 312-36   |             |             |
| UCT 312-37 | 2-5 <sup>5</sup> / <sub>16</sub>                    | 1-7 <sup>7</sup> / <sub>32</sub>   | 3 <sup>3</sup> / <sub>16</sub>   | 4-7 <sup>7</sup> / <sub>16</sub>   | 2-25 <sup>25</sup> / <sub>32</sub> | 1-5 <sup>5</sup> / <sub>8</sub>    | 4-27 <sup>27</sup> / <sub>32</sub> | 0.866 | 6-19 <sup>19</sup> / <sub>64</sub> | 7                                  | 8-21 <sup>21</sup> / <sub>32</sub>  | 2-25 <sup>25</sup> / <sub>32</sub> | 1-13 <sup>13</sup> / <sub>16</sub> | 5-5 <sup>5</sup> / <sub>16</sub>   | 2.7953         | 1.024 | UC 312-37   |             |             |
| UCT 312-38 | 2-3 <sup>3</sup> / <sub>8</sub>                     |                                    |                                  |                                    |                                    |                                    |                                    |       |                                    |                                    |                                     |                                    |                                    |                                    |                |       | UC 312-38   |             |             |
| UCT 312-39 | 2-7 <sup>7</sup> / <sub>16</sub>                    |                                    |                                  |                                    |                                    |                                    |                                    |       |                                    |                                    |                                     |                                    |                                    |                                    |                |       | UC 312-39   |             |             |
| UCT 313    | 65  | 32                                 | 27                               | 116                                | 70                                 | 43                                 | 134                                | 26    | 170                                | 190                                | 238                                 | 80                                 | 50                                 | 146                                | 75             | 30    | UC 313      | T313        | 9.7         |
| UCT 313-40 | 2-1 <sup>1</sup> / <sub>2</sub>                     | 1-17 <sup>17</sup> / <sub>64</sub> | 1-1 <sup>1</sup> / <sub>16</sub> | 4-9 <sup>9</sup> / <sub>16</sub>   | 2-3 <sup>3</sup> / <sub>4</sub>    | 1-11 <sup>11</sup> / <sub>16</sub> | 5-9 <sup>9</sup> / <sub>32</sub>   | 1.024 | 6-11 <sup>11</sup> / <sub>16</sub> | 7-15 <sup>15</sup> / <sub>32</sub> | 9-3 <sup>3</sup> / <sub>8</sub>     | 3-5 <sup>5</sup> / <sub>32</sub>   | 1-31 <sup>31</sup> / <sub>32</sub> | 5-3 <sup>3</sup> / <sub>4</sub>    | 2.9528         | 1.181 | UC 313-40   |             |             |
| UCT 313-41 | 2-9 <sup>9</sup> / <sub>16</sub>                    |                                    |                                  |                                    |                                    |                                    |                                    |       |                                    |                                    |                                     |                                    |                                    |                                    |                |       | UC 313-41   |             |             |
| UCT 314    | 70  | 36                                 | 27                               | 130                                | 85                                 | 46                                 | 140                                | 26    | 180                                | 202                                | 252                                 | 90                                 | 52                                 | 155                                | 78             | 33    | UC 314      | T314        | 11          |
| UCT 314-42 | 2-5 <sup>5</sup> / <sub>8</sub>                     |                                    |                                  |                                    |                                    |                                    |                                    |       |                                    |                                    |                                     |                                    |                                    |                                    |                |       | UC 314-42   |             |             |
| UCT 314-43 | 2-11 <sup>11</sup> / <sub>16</sub>                  | 1-13 <sup>13</sup> / <sub>32</sub> | 1-1 <sup>1</sup> / <sub>16</sub> | 5-1 <sup>1</sup> / <sub>8</sub>    | 3-11 <sup>11</sup> / <sub>32</sub> | 1-13 <sup>13</sup> / <sub>16</sub> | 5-1 <sup>1</sup> / <sub>2</sub>    | 1.024 | 7-3 <sup>3</sup> / <sub>32</sub>   | 7-15 <sup>15</sup> / <sub>16</sub> | 9-29 <sup>29</sup> / <sub>32</sub>  | 3-17 <sup>17</sup> / <sub>32</sub> | 2-1 <sup>1</sup> / <sub>16</sub>   | 6-3 <sup>3</sup> / <sub>32</sub>   | 3.2283         | 1.299 | UC 314-43   |             |             |
| UCT 314-44 | 2-3 <sup>3</sup> / <sub>4</sub>                     |                                    |                                  |                                    |                                    |                                    |                                    |       |                                    |                                    |                                     |                                    |                                    |                                    |                |       | UC 315-44   |             |             |
| UCT 315    | 75  | 36                                 | 27                               | 132                                | 85                                 | 46                                 | 150                                | 26    | 192                                | 216                                | 262                                 | 90                                 | 55                                 | 160                                | 82             | 32    | UC 315      | T315        | 14          |
| UCT 315-45 | 2-13 <sup>13</sup> / <sub>16</sub>                  |                                    |                                  |                                    |                                    |                                    |                                    |       |                                    |                                    |                                     |                                    |                                    |                                    |                |       | UC 315-45   |             |             |
| UCT 315-46 | 2-7 <sup>7</sup> / <sub>8</sub>                     |                                    |                                  |                                    |                                    |                                    |                                    |       |                                    |                                    |                                     |                                    |                                    |                                    |                |       | UC 315-46   |             |             |
| UCT 315-47 | 2-15 <sup>15</sup> / <sub>16</sub>                  | 1-13 <sup>13</sup> / <sub>32</sub> | 1-1 <sup>1</sup> / <sub>16</sub> | 5-3 <sup>3</sup> / <sub>16</sub>   | 3-11 <sup>11</sup> / <sub>32</sub> | 1-13 <sup>13</sup> / <sub>16</sub> | 5-29 <sup>29</sup> / <sub>32</sub> | 1.024 | 7-9 <sup>9</sup> / <sub>16</sub>   | 8-1 <sup>1</sup> / <sub>2</sub>    | 10-5 <sup>5</sup> / <sub>16</sub>   | 3-17 <sup>17</sup> / <sub>32</sub> | 2-5 <sup>5</sup> / <sub>32</sub>   | 6-5 <sup>5</sup> / <sub>16</sub>   | 3.2283         | 1.260 | UC 315-47   |             |             |
| UCT 315-48 | 3   |                                    |                                  |                                    |                                    |                                    |                                    |       |                                    |                                    |                                     |                                    |                                    |                                    |                |       | UC 315-48   |             |             |
| UCT 316    | 80  | 42                                 | 30                               | 150                                | 98                                 | 53                                 | 160                                | 30    | 204                                | 230                                | 282                                 | 102                                | 60                                 | 174                                | 86             | 34    | UC 316      | T316        | 16          |
| UCT 316-49 | 3-1 <sup>1</sup> / <sub>16</sub>                    |                                    |                                  |                                    |                                    |                                    |                                    |       |                                    |                                    |                                     |                                    |                                    |                                    |                |       | UC 316-49   |             |             |
| UCT 316-50 | 3-1 <sup>1</sup> / <sub>8</sub>                     | 1-21 <sup>21</sup> / <sub>32</sub> | 1-3 <sup>3</sup> / <sub>16</sub> | 5-29 <sup>29</sup> / <sub>32</sub> | 3-27 <sup>27</sup> / <sub>32</sub> | 2-3 <sup>3</sup> / <sub>32</sub>   | 6-5 <sup>5</sup> / <sub>16</sub>   | 1.181 | 8-1 <sup>1</sup> / <sub>32</sub>   | 9-1 <sup>1</sup> / <sub>16</sub>   | 11-3 <sup>3</sup> / <sub>32</sub>   | 4-1 <sup>1</sup> / <sub>32</sub>   | 2-3 <sup>3</sup> / <sub>8</sub>    | 6-27 <sup>27</sup> / <sub>32</sub> | 3.2283         | 1.260 | UC 316-50   |             |             |
| UCT 316-51 | 3-3 <sup>3</sup> / <sub>16</sub>                    |                                    |                                  |                                    |                                    |                                    |                                    |       |                                    |                                    |                                     |                                    |                                    |                                    |                |       | UC 316-51   |             |             |
| UCT 317    | 85  | 42                                 | 32                               | 152                                | 98                                 | 53                                 | 170                                | 32    | 214                                | 240                                | 298                                 | 102                                | 64                                 | 183                                | 96             | 40    | UC 317      | T317        | 20          |
| UCT 317-52 | 3-1 <sup>1</sup> / <sub>4</sub>                     |                                    |                                  |                                    |                                    |                                    |                                    |       |                                    |                                    |                                     |                                    |                                    |                                    |                |       | UC 317-52   |             |             |
| UCT 317-53 | 3-5 <sup>5</sup> / <sub>16</sub>                    | 1-21 <sup>21</sup> / <sub>32</sub> | 1-1 <sup>1</sup> / <sub>4</sub>  | 5-31 <sup>31</sup> / <sub>32</sub> | 3-27 <sup>27</sup> / <sub>32</sub> | 2-3 <sup>3</sup> / <sub>32</sub>   | 6-11 <sup>11</sup> / <sub>16</sub> | 1.260 | 8-27 <sup>27</sup> / <sub>64</sub> | 9-7 <sup>7</sup> / <sub>16</sub>   | 11-23 <sup>23</sup> / <sub>32</sub> | 4-1 <sup>1</sup> / <sub>32</sub>   | 2-17 <sup>17</sup> / <sub>32</sub> | 7-7 <sup>7</sup> / <sub>32</sub>   | 3.7795         | 1.575 | UC 317-53   |             |             |
| UCT 317-55 | 3-7 <sup>7</sup> / <sub>16</sub>                    |                                    |                                  |                                    |                                    |                                    |                                    |       |                                    |                                    |                                     |                                    |                                    |                                    |                |       | UC 317-55   |             |             |
| UCT 318    | 90  | 46                                 | 32                               | 160                                | 106                                | 57                                 | 175                                | 32    | 228                                | 255                                | 312                                 | 110                                | 66                                 | 192                                | 96             | 40    | UC 318      | T318        | 22          |
| UCT 318-55 | 3-7 <sup>7</sup> / <sub>16</sub>                    | 1-13 <sup>13</sup> / <sub>16</sub> | 1-1 <sup>1</sup> / <sub>4</sub>  | 6-5 <sup>5</sup> / <sub>16</sub>   | 4-3 <sup>3</sup> / <sub>16</sub>   | 2-1 <sup>1</sup> / <sub>4</sub>    | 6-7 <sup>7</sup> / <sub>8</sub>    | 1.260 | 8-31 <sup>31</sup> / <sub>32</sub> | 10-1 <sup>1</sup> / <sub>32</sub>  | 12-9 <sup>9</sup> / <sub>32</sub>   | 4-11 <sup>11</sup> / <sub>32</sub> | 2-19 <sup>19</sup> / <sub>32</sub> | 7-9 <sup>9</sup> / <sub>16</sub>   | 3.7795         | 1.575 | UC 318-55   |             |             |
| UCT 318-56 | 3-1 <sup>1</sup> / <sub>2</sub>                     |                                    |                                  |                                    |                                    |                                    |                                    |       |                                    |                                    |                                     |                                    |                                    |                                    |                |       | UC 318-56   |             |             |
| UCT 319    | 95  | 46                                 | 33                               | 165                                | 106                                | 57                                 | 180                                | 35    | 240                                | 270                                | 322                                 | 110                                | 72                                 | 197                                | 103            | 41    | UC 319      | T319        | 24          |
| UCT 319-58 | 3-5 <sup>5</sup> / <sub>8</sub>                     |                                    |                                  |                                    |                                    |                                    |                                    |       |                                    |                                    |                                     |                                    |                                    |                                    |                |       | UC 319-58   |             |             |
| UCT 319-59 | 3-11 <sup>11</sup> / <sub>16</sub>                  | 1-13<                              |                                  |                                    |                                    |                                    |                                    |       |                                    |                                    |                                     |                                    |                                    |                                    |                |       |             |             |             |

UCFB2 (normal duty)



| Unit No.    | Dimensions <sup>mm</sup> / <sub>inch</sub> |         |         |         |         |         |       |       |         |         |         |        |         |        |       | Bolt Size <sup>mm</sup> / <sub>inch</sub> | Bearing No. | Housing No. | Weight (kg) |      |
|-------------|--|---------|---------|---------|---------|---------|-------|-------|---------|---------|---------|--------|---------|--------|-------|---|-------------|-------------|-------------|------|
|             | d  | w       | b       | k       | a       | l       | S     | g     | h       | j       | e       | i      | z       | B      | n     |   |             |             |             |      |
| UCFB 201    | 12   | 110     | 62      | 52      | 52      | 25.5    | 10    | 13    | 42      | 27      | 32      | 15     | 33.3    | 31     | 12.7  | M8  | UC 201      | FB204       | 0.58        |      |
| UCFB 201-8  | 3/4  |         |         |         |         |         |       |       |         |         |         |        |         |        |       |   | UC 201-8    |             | 0.57        |      |
| UCFB 202    | 15   |         |         |         |         |         |       |       |         |         |         |        |         |        |       |   | UC 202      |             | 0.57        |      |
| UCFB 202-9  | 9/16                                       |         |         |         |         |         |       |       |         |         |         |        |         |        |       |   | UC 202-9    |             | 0.57        |      |
| UCFB 202-10 | 5/8  | 4-11/32 | 2-7/16  | 2-1/16  | 2-1/16  | 1       | 25/64 | 1/2   | 1-21/32 | 1-1/16  | 1-17/64 | 19/32  | 1-5/16  | 1.2205 | 0.500 | 5/16                                      | UC 202-10   |             | 0.57        |      |
| UCFB 203    | 17   |         |         |         |         |         |       |       |         |         |         |        |         |        |       |   | UC 203      |             | 0.56        |      |
| UCFB 203-11 | 11/16                                      |         |         |         |         |         |       |       |         |         |         |        |         |        |       |   | UC 203-11   |             | 0.55        |      |
| UCFB 204    | 20   |         |         |         |         |         |       |       |         |         |         |        |         |        |       |   | UC 204      |             | 0.54        |      |
| UCFB 204-12 | 3/4  |         |         |         |         |         |       |       |         |         |         |        |         |        |       |   | UC 204-12   |             | 0.54        |      |
| UCFB 205    | 25   | 116     | 68      | 52      | 56      | 27      | 10    | 13    | 45      | 27      | 34      | 16     | 35.8    | 34.1   | 14.3  | M8  | UC 205      |             | FB205       | 0.79 |
| UCFB 205-13 | 13/16                                      |         |         |         |         |         |       |       |         |         |         |        |         |        |       |   | UC 205-13   |             |             | 0.83 |
| UCFB 205-14 | 7/8  | 4-9/16  | 2-11/16 | 2-1/16  | 2-7/32  | 1-1/16  | 25/64 | 1/2   | 1-49/64 | 1-1/16  | 1-11/32 | 5/8    | 1-13/32 | 1.3425 | 0.563 | 5/16                                      | UC 205-14   |             |             | 0.82 |
| UCFB 205-15 | 15/16                                      |         |         |         |         |         |       |       |         |         |         |        |         |        |       |   | UC 205-15   | 0.80        |             |      |
| UCFB 205-16 | 1  |         |         |         |         |         |       |       |         |         |         |        |         |        |       |   | UC 205-16   | 0.79        |             |      |
| UCFB 206    | 30   | 130     | 78      | 55      | 65      | 31      | 10    | 13    | 50      | 29      | 40      | 18     | 40.2    | 38.1   | 15.9  | M8  | UC 206      | FB206       | 0.95        |      |
| UCFB 206-17 | 1-1/16                                     |         |         |         |         |         |       |       |         |         |         |        |         |        |       |   | UC 206-17   |             | 0.98        |      |
| UCFB 206-18 | 1-1/8                                      | 5-1/8   | 3-1/16  | 2-5/32  | 2-9/16  | 1-7/32  | 25/64 | 1/2   | 1-31/32 | 1-9/64  | 1-37/64 | 45/64  | 1-19/32 | 1.5000 | 0.626 | 5/16                                      | UC 206-18   |             | 0.97        |      |
| UCFB 206-19 | 1-3/16                                     |         |         |         |         |         |       |       |         |         |         |        |         |        |       |   | UC 206-19   |             | 0.95        |      |
| UCFB 206-20 | 1-1/4                                      |         |         |         |         |         |       |       |         |         |         |        |         |        |       |   | UC 206-20   |             | 0.94        |      |
| UCFB 207    | 35   | 144     | 90      | 62      | 70      | 34      | 10    | 15    | 55      | 32      | 46      | 19     | 44.4    | 42.9   | 17.5  | M8  | UC 207      | FB207       | 1.29        |      |
| UCFB 207-20 | 1-1/4                                      |         |         |         |         |         |       |       |         |         |         |        |         |        |       |   | UC 207-20   |             | 1.35        |      |
| UCFB 207-21 | 1-5/16                                     | 5-21/32 | 3-35/64 | 2-7/16  | 2-3/4   | 1-11/32 | 25/64 | 19/32 | 2-11/64 | 1-17/64 | 1-13/16 | 3/4    | 1-3/4   | 1.6890 | 0.689 | 5/16                                      | UC 207-21   |             | 1.32        |      |
| UCFB 207-22 | 1-3/8                                      |         |         |         |         |         |       |       |         |         |         |        |         |        |       |   | UC 207-22   |             | 0.29        |      |
| UCFB 207-23 | 1-7/16                                     |         |         |         |         |         |       |       |         |         |         |        |         |        |       |   | UC 207-23   |             | 1.26        |      |
| UCFB 208    | 40   | 164     | 100     | 72      | 78      | 36      | 12    | 16    | 60      | 41      | 50      | 21     | 51.2    | 49.2   | 19    | M10                                       | UC 208      | FB208       | 1.78        |      |
| UCFB 208-24 | 1-1/2                                      | 6-15/32 | 3-15/16 | 2-27/32 | 3-1/16  | 1-13/32 | 15/32 | 5/8   | 2-23/64 | 1-39/64 | 1-31/32 | 53/64  | 2-1/64  | 1.9370 | 0.748 | 3/8                                       | UC 208-24   |             | 1.82        |      |
| UCFB 208-25 | 1-9/16                                     |         |         |         |         |         |       |       |         |         |         |        |         |        |       |   | UC 208-25   |             | 1.79        |      |
| UCFB 209    | 45   | 174     | 106     | 76      | 80      | 38      | 12    | 18    | 65      | 43      | 54      | 22     | 52.2    | 49.2   | 19    | M10                                       | UC 209      | FB209       | 1.91        |      |
| UCFB 209-26 | 1-5/8                                      |         |         |         |         |         |       |       |         |         |         |        |         |        |       |   | UC 209-26   |             | 2.01        |      |
| UCFB 209-27 | 1-11/16                                    | 6-27/32 | 4-3/16  | 3       | 3-5/32  | 1-1/2   | 15/32 | 23/32 | 2-9/16  | 1-11/16 | 2-1/8   | 55/64  | 2-1/16  | 1.9370 | 0.748 | 3/8                                       | UC 209-27   |             | 1.97        |      |
| UCFB 209-28 | 1-3/4                                      |         |         |         |         |         |       |       |         |         |         |        |         |        |       |   | UC 209-28   |             | 1.93        |      |
| UCFB 210    | 50   | 184     | 112     | 82      | 86      | 40      | 12    | 18    | 68      | 46      | 58      | 22     | 54.6    | 51.6   | 19    | M10                                       | UC 210      | FB210       | 2.36        |      |
| UCFB 210-29 | 1-13/16                                    |         |         |         |         |         |       |       |         |         |         |        |         |        |       |   | UC 210-29   |             | 2.48        |      |
| UCFB 210-30 | 1-7/8                                      | 7-1/4   | 4-13/32 | 3-7/32  | 3-3/8   | 1-37/64 | 15/32 | 23/32 | 2-43/64 | 1-13/16 | 2-9/32  | 55/64  | 2-5/32  | 2.0315 | 0.748 | 3/8                                       | UC 210-30   |             | 2.43        |      |
| UCFB 210-31 | 1-15/16                                    |         |         |         |         |         |       |       |         |         |         |        |         |        |       |   | UC 210-31   |             | 2.38        |      |
| UCFB 210-32 | 2  |         |         |         |         |         |       |       |         |         |         |        |         |        |       |   | UC 210-32   | 2.34        |             |      |
| UCFB 211    | 55   | 207     | 130     | 86      | 90      | 43      | 14    | 18    | 78      | 50      | 62      | 25     | 58.4    | 55.6   | 22.2  | M12                                       | UC 211      | FB211       | 3.15        |      |
| UCFB 211-32 | 2  |         |         |         |         |         |       |       |         |         |         |        |         |        |       |   | UC 211-32   |             | 3.31        |      |
| UCFB 211-33 | 2-1/16                                     |         |         |         |         |         |       |       |         |         |         |        |         |        |       |   | UC 211-33   |             | 3.25        |      |
| UCFB 211-34 | 2-1/8                                      | 8-5/32  | 5-1/8   | 3-25/64 | 3-25/64 | 1-11/16 | 35/64 | 45/64 | 3-5/64  | 1-31/32 | 2-7/16  | 63/64  | 2-5/16  | 2.1890 | 0.874 | 7/16                                      | UC 211-34   |             | 3.20        |      |
| UCFB 211-35 | 2-3/16                                     |         |         |         |         |         |       |       |         |         |         |        |         |        |       |   | UC 211-35   |             | 3.14        |      |
| UCFB 212    | 60   | 223     | 140     | 90      | 94      | 48      | 14    | 18    | 84      | 55      | 66      | 29     | 68.7    | 65.1   | 25.4  | M12                                       | UC 212      | FB212       | 3.99        |      |
| UCFB 212-36 | 2-1/4                                      |         |         |         |         |         |       |       |         |         |         |        |         |        |       |   | UC 212-36   |             | 4.12        |      |
| UCFB 212-37 | 2-5/16                                     | 8-25/32 | 5-1/2   | 3-35/64 | 3-45/64 | 1-7/8   | 35/64 | 45/64 | 3-5/16  | 2-11/64 | 2-19/32 | 1-9/64 | 2-23/32 | 2.5630 | 1.000 | 7/16                                      | UC 212-37   |             | 4.04        |      |
| UCFB 212-38 | 2-3/8                                      |         |         |         |         |         |       |       |         |         |         |        |         |        |       |   | UC 212-38   |             | 3.97        |      |
| UCFB 212-39 | 2-7/16                                     |         |         |         |         |         |       |       |         |         |         |        |         |        |       |   | UC 212-39   |             | 3.90        |      |
| UCFB 213    | 65   | 244     | 155     | 94      | 100     | 50      | 14    | 20    | 92      | 60      | 70      | 30     | 69.7    | 65.1   | 25.4  | M12                                       | UC 213      | FB213       | 5.15        |      |
| UCFB 213-40 | 2-1/2                                      | 9-39/64 | 6-7/64  | 3-45/64 | 3-15/16 | 1-31/32 | 35/64 | 25/32 | 3-5/8   | 2-23/64 | 2-3/4   | 1-3/16 | 2-3/4   | 2.5630 | 1.000 | 7/16                                      | UC 213-40   |             | 5.32        |      |
| UCFB 214-41 | 2-9/16                                     |         |         |         |         |         |       |       |         |         |         |        |         |        |       |   | UC 213-41   |             | 5.02        |      |

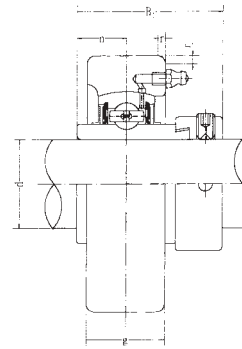
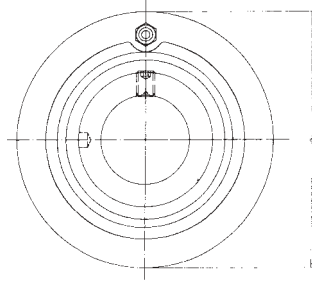


| Unit No.   | Dimensions <sup>mm</sup> / <sub>inch</sub> |        |         |       |        |       | Bearing No. | Housing No. | Weight (kg) |
|------------|--|--------|---------|-------|--------|-------|-------------|-------------|-------------|
|            | d  | a      | g       | r     | B      | n     |             |             |             |
| UCC 201    | 12   | 72     | 20      | 2     | 31     | 12.7  | UC 201      | C204        | 0.52        |
| UCC 201-8  | 3/4  | 2.8346 | 25/32   | 0.079 | 1.2205 | 0.500 | UC 201-8    |             | 0.51        |
| UCC 202    | 15   | 72     | 20      | 2     | 31     | 12.7  | UC 202      | C204        | 0.51        |
| UCC 202-9  | 9/16                                       | 2.8346 | 25/32   | 0.079 | 1.2205 | 0.500 | UC 202-9    |             | 0.51        |
| UCC 202-10 | 5/8  |        |         |       |        |       | UC 202-10   |             | 0.51        |
| UCC 203    | 17   | 72     | 20      | 2     | 31     | 12.7  | UC 203      | C204        | 0.50        |
| UCC 203-11 | 11/16                                      | 2.8346 | 25/32   | 0.079 | 1.2205 | 0.500 | UC 203-11   |             | 0.49        |
| UCC 204    | 20   | 72     | 20      | 2     | 31     | 12.7  | UC 204      | C204        | 0.48        |
| UCC 204-12 | 3/4  | 2.8346 | 25/32   | 0.079 | 1.2205 | 0.500 | UC 204-12   |             | 0.48        |
| UCC 205    | 25   | 80     | 22      | 2     | 34.1   | 14.3  | UC 205      | C205        | 0.63        |
| UCC 205-13 | 13/16                                      |        |         |       |        |       | UC 205-13   |             | 0.67        |
| UCC 205-14 | 7/8  | 3.1496 | 55/64   | 0.079 | 1.3425 | 0.563 | UC 205-14   |             | 0.66        |
| UCC 205-15 | 15/16                                      |        |         |       |        |       | UC 205-15   |             | 0.64        |
| UCC 205-16 | 1  |        |         |       |        |       | UC 205-16   |             | 0.63        |
| UCC 206    | 30   | 85     | 27      | 2     | 38.1   | 15.9  | UC 206      | C206        | 0.80        |
| UCC 206-17 | 1-1/16                                     |        |         |       |        |       | UC 206-17   |             | 0.83        |
| UCC 206-18 | 1-1/8                                      | 3.3465 | 1-1/16  | 0.079 | 1.5000 | 0.626 | UC 206-18   |             | 0.82        |
| UCC 206-19 | 1-3/16                                     |        |         |       |        |       | UC 206-19   |             | 0.80        |
| UCC 206-20 | 1-1/4                                      |        |         |       |        |       | UC 206-20   |             | 0.79        |
| UCC 207    | 35   | 90     | 28      | 2     | 42.9   | 17.5  | UC 207      | C207        | 0.93        |
| UCC 207-20 | 1-1/4                                      |        |         |       |        |       | UC 207-20   |             | 0.99        |
| UCC 207-21 | 1-5/16                                     | 3.5433 | 1-7/64  | 0.079 | 1.6890 | 0.689 | UC 207-21   |             | 0.96        |
| UCC 207-22 | 1-3/8                                      |        |         |       |        |       | UC 207-22   |             | 0.93        |
| UCC 207-23 | 1-7/16                                     |        |         |       |        |       | UC 207-23   |             | 0.90        |
| UCC 208    | 40   | 100    | 30      | 2.5   | 49.2   | 19    | UC 208      | C208        | 1.22        |
| UCC 208-24 | 1-1/2                                      | 3.9370 | 1-3/16  | 0.098 | 1.9370 | 0.748 | UC 208-24   |             | 1.26        |
| UCC 208-25 | 1-9/16                                     |        |         |       |        |       | UC 208-25   |             | 1.23        |
| UCC 209    | 45   | 110    | 31      | 2.5   | 49.2   | 19    | UC 209      | C209        | 1.49        |
| UCC 209-26 | 1-5/8                                      |        |         |       |        |       | UC 209-26   |             | 1.59        |
| UCC 209-27 | 1-11/16                                    | 4.3307 | 1-7/32  | 0.098 | 1.9370 | 0.748 | UC 209-27   |             | 1.55        |
| UCC 209-28 | 1-3/4                                      |        |         |       |        |       | UC 209-28   |             | 1.51        |
| UCC 210    | 50   | 120    | 33      | 2.5   | 51.6   | 19    | UC 210      | C210        | 1.90        |
| UCC 210-29 | 1-13/16                                    |        |         |       |        |       | UC 210-29   |             | 2.02        |
| UCC 210-30 | 1-7/8                                      | 4.7244 | 1-19/64 | 0.098 | 2.0315 | 0.748 | UC 210-30   |             | 1.97        |
| UCC 210-31 | 1-15/16                                    |        |         |       |        |       | UC 210-31   |             | 1.92        |
| UCC 210-32 | 2  |        |         |       |        |       | UC 210-32   |             | 1.88        |
| UCC 211    | 55   | 125    | 35      | 2.5   | 55.6   | 22.2  | UC 211      | C211        | 2.18        |
| UCC 211-32 | 2  |        |         |       |        |       | UC 211-32   |             | 2.33        |
| UCC 211-33 | 2-1/16                                     | 4.9213 | 1-3/8   | 0.098 | 2.1890 | 0.874 | UC 211-33   |             | 2.27        |
| UCC 211-34 | 2-1/8                                      |        |         |       |        |       | UC 211-34   |             | 2.22        |
| UCC 211-35 | 2-3/16                                     |        |         |       |        |       | UC 211-35   |             | 2.16        |
| UCC 212    | 60   | 130    | 38      | 2.5   | 65.1   | 25.4  | UC 212      | C212        | 2.52        |
| UCC 212-36 | 2  |        |         |       |        |       | UC 212-36   |             | 2.65        |
| UCC 212-37 | 2-1/16                                     | 5.1181 | 1-1/2   | 0.098 | 2.5630 | 1.000 | UC 212-37   |             | 2.57        |
| UCC 212-38 | 2-1/8                                      |        |         |       |        |       | UC 212-38   |             | 2.50        |
| UCC 212-39 | 2-3/16                                     |        |         |       |        |       | UC 212-39   |             | 2.43        |
| UCC 213    | 65   | 140    | 40      | 3     | 65.1   | 25.4  | UC 213      | C213        | 2.98        |
| UCC 213-40 | 2-1/2                                      | 5.5118 | 1-37/64 | 0.118 | 2.5630 | 1.000 | UC 213-40   |             | 3.07        |
| UCC 213-41 | 2-9/16                                     |        |         |       |        |       | UC 213-41   |             | 2.98        |

For Stainless Steel Bearings Add "SS" in front of the bearing number. (Eg. SS UC 201)

# Cartridge Units

**NAC 2 (normal-duty)**  
(with Eccentric Locking Collar)



| Unit No.   | Dimensions <sup>mm</sup> / <sub>inch</sub> |        |         |       |       |       | Bearing No. | Housing No. | Weight (kg) |
|------------|--|--------|---------|-------|-------|-------|-------------|-------------|-------------|
|            | d  | a      | g       | r     | B     | n     |             |             |             |
| NAC 204    | 20   | 72     | 20      | 2     | 43.7  | 17.1  | NA 204      | C204        | 0.55        |
| NAC 204-12 | 3/4  | 2.8346 | 25/32   | 0.079 | 1.720 | 0.673 | NA 204-12   |             | 0.55        |
| NAC 205    | 25   | 80     | 22      | 2     | 44.4  | 17.5  | NA 205      | C205        | 0.70        |
| NAC 205-13 | 13/16                                      |        |         |       |       |       | NA 205-13   |             | 0.75        |
| NAC 205-14 | 7/8  | 3.1496 | 55/64   | 0.079 | 1.748 | 0.689 | NA 205-14   |             | 0.74        |
| NAC 205-15 | 15/16                                      |        |         |       |       |       | NA 205-15   |             | 0.72        |
| NAC 205-16 | 1  |        |         |       |       |       | NA 205-16   |             | 0.70        |
| NAC 206    | 30   | 85     | 27      | 2     | 48.4  | 18.3  | NA 206      |             | C206        |
| NAC 206-17 | 1-1/16                                     |        |         |       |       |       | NA 206-17   | 0.98        |             |
| NAC 206-18 | 1-1/8                                      | 3.3465 | 1-1/16  | 0.079 | 1.906 | 0.720 | NA 206-18   | 0.95        |             |
| NAC 206-19 | 1-3/16                                     |        |         |       |       |       | NA 206-19   | 0.93        |             |
| NAC 206-20 | 1-1/4                                      |        |         |       |       |       | NA 206-20   | 0.90        |             |
| NAC 207    | 35   | 90     | 28      | 2     | 51.1  | 18.8  | NA 207      | C207        |             |
| NAC 207-20 | 1-1/4                                      |        |         |       |       |       | NA 207-20   |             | 1.12        |
| NAC 207-21 | 1-5/16                                     | 3.5433 | 1-7/64  | 0.079 | 2.012 | 0.740 | NA 207-21   |             | 1.08        |
| NAC 207-22 | 1-3/8                                      |        |         |       |       |       | NA 207-22   |             | 1.05        |
| NAC 207-23 | 1-7/16                                     |        |         |       |       |       | NA 207-23   |             | 1.02        |
| NAC 208    | 40   | 100    | 30      | 2.5   | 56.3  | 21.4  | NA 208      |             | C208        |
| NAC 208-24 | 1-1/2                                      | 3.9370 | 1-3/16  | 0.098 | 2.217 | 0.843 | NA 208-24   | 1.42        |             |
| NAC 208-25 | 1-9/16                                     |        |         |       |       |       | NA 208-25   | 1.38        |             |
| NAC 209    | 45   | 110    | 31      | 2.5   | 56.3  | 21.4  | NA 209      | C209        |             |
| NAC 209-26 | 1-5/8                                      |        |         |       |       |       | NA 209-26   |             | 1.77        |
| NAC 209-27 | 1-11/16                                    | 4.3307 | 1-7/32  | 0.098 | 2.217 | 0.843 | NA 209-27   |             | 1.72        |
| NAC 209-28 | 1-3/4                                      |        |         |       |       |       | NA 209-28   |             | 1.68        |
| NAC 210    | 50   | 120    | 33      | 2.5   | 62.7  | 24.6  | NA 210      |             | C210        |
| NAC 210-29 | 1-13/16                                    |        |         |       |       |       | NA 210-29   | 2.24        |             |
| NAC 210-30 | 1-7/8                                      | 4.7244 | 1-19/64 | 0.098 | 2.469 | 0.969 | NA 210-30   | 2.18        |             |
| NAC 210-31 | 1-15/16                                    |        |         |       |       |       | NA 210-31   | 2.12        |             |
| NAC 210-32 | 2  |        |         |       |       |       | NA 210-32   | 2.06        |             |
| NAC 211    | 55   | 125    | 35      | 2.5   | 71.4  | 27.8  | NA 211      | C211        | 2.39        |
| NAC 211-32 | 2  |        |         |       |       |       | NA 211-32   |             | 2.59        |
| NAC 211-33 | 2-1/16                                     | 4.9213 | 1-3/8   | 0.098 | 2.811 | 1.094 | NA 211-33   |             | 2.51        |
| NAC 211-34 | 2-1/8                                      |        |         |       |       |       | NA 211-34   |             | 2.44        |
| NAC 211-35 | 2-3/16                                     |        |         |       |       |       | NA 211-35   |             | 2.36        |
| NAC 212    | 60   | 130    | 38      | 2.5   | 77.8  | 31    | NA 212      |             | C212        |
| NAC 212-36 | 2-1/4                                      |        |         |       |       |       | NA 212-36   | 3.02        |             |
| NAC 212-37 | 2-5/16                                     | 5.1181 | 1-1/2   | 0.098 | 3.063 | 1.220 | NA 212-37   | 2.93        |             |
| NAC 212-38 | 2-3/8                                      |        |         |       |       |       | NA 212-38   | 2.88        |             |
| NAC 212-39 | 2-7/16                                     |        |         |       |       |       | NA 212-39   | 2.75        |             |